

Prepp

Your Personal Exams Guide



NDA



CDS



SSC CGL



CBSE UGC NET



IAS



SSC CHSL



CTET



MPSC



AFCAT



CSIR UDC NET



IBPS PO



UP POLICE



SSC MTS



SBI PO



BPS



UP TET



IBPS RRB



IBPS CLERK



IES



UPSC CAPF



SSC Stenogr..



RRB NTPC



SSC GD



RBI GRADE B



RBI Assistant



DSSSB

SSC GD Constable 2021 (English) Prev. Year Paper (26-Nov-2021) (Shift 2)

Total Time: 1 Hour : 30 Minute

Total Marks: 100

Instructions

Sl No.	Section Name	No. of Question	Maximum Marks	Negative Marks	Positive Marks
1	General Intelligence and Reasoning	25	25	0.25	1
2	General Knowledge and General Awareness	25	25	0.25	1
3	Elementary Mathematics	25	25	0.25	1
4	English	25	25	0.25	1

- 1.) A total of 90 minutes is allotted for the examination.
- 2.) The server will set your clock for you. In the top right corner of your screen, a countdown timer will display the remaining time for you to complete the exam. Once the timer reaches zero, the examination will end automatically. The paper need not be submitted when your timer reaches zero.
- 3.) There will, however, be sectional timing for this exam. You will have to complete each section within the specified time limit. Before moving on to the next section, you must complete the current one within the time limits.

General Intelligence and Reasoning

1. Four letter-clusters have been given, out of which three are alike in some manner and one is different. Select the letter-cluster that is different. (+1, -0.25)

a. BQJM

b. ATGN

c. GSHH

d. DEWK

2. Which two numbers should be interchanged to make the given equation correct? (+1, -0.25)

$$27 + 36 \div 9 \times 15 - 24 = 57$$

a. 27 and 24

b. 27 and 9

c. 24 and 9

d. 15 and 9

3. Select the combination of letters that when sequentially placed in the blanks of the given series will complete the series. (+1, -0.25)

TK_TKT_P_K_KPTK_K_TK

a. P, T, K, P, T, K

b. P, K, T, T, T, P

c. P, K, T, P, K, T

d. P, T, T, K, P, T

4. Study the given pattern carefully and select the number that can replace the question mark (?) in it. (+1, -0.25)

3	16	26
4	20	32
6	28	?

a. 38

b. 46

c. 44

d. 48

5. Select the number from among the given options that can replace the question mark (?) in the following series. (+1, -0.25)

31, 32, 36, 63, 79, 204, ?

a. 220

b. 202

c. 204

d. 240

6. Select the number from among the given options that can replace the question mark (?) in the following series. (+1, -0.25)

10, 21, 35, 56, 90, 145, 231, 360, ?

- a. 546
- b. 463
- c. 564
- d. 436

7. Select the figure from among the given options that can replace the question mark (?) and complete the pattern (rotation is NOT allowed). (+1, -0.25)



8. Read the given statements and conclusions carefully. Assuming that the information given in the statements is true, even if it appears to be at variance with commonly known facts, decide which of the given conclusions logically follow(s) from the statements. (+1, -0.25)

Statements:

Some cars are trains.

Some trains are tractors.

Conclusions:

I. No tractor is a car.

II. No train is a car.

III. Some tractors are cars.

- a. Both conclusions I and II follow
- b. All the conclusions follow
- c. Either conclusion I or III follows
- d. Both conclusions II and III follow

9. In a certain code language, 'FLOWER' is written as 'KQTSAN'. How will 'WINDOW' be written in that language? (+1, -0.25)

- a. CNSZLS
- b. BNSALS
- c. BNSZKS
- d. BMSAKS

10. Select the option that is related to the fourth number in the same way as the first number is related to the second number and the fifth number is related to the sixth number. (+1, -0.25)

15 : 555 :: ? : 221 :: 17 : 719

- a. 23
- b. 11
- c. 19
- d. 5

11. Select the option that is related to the third term in the same way as the second term is related to the first term. (+1, -0.25)

LARGE : NDTJG :: APPLES : ?

- a. CSROPU
- b. CSROGV
- c. CSORGV
- d. DSROGV

12. The sequence of folding a piece of paper and the manner in which the folded paper has been cut is shown in the following figures. How would this paper look when unfolded? (+1, -0.25)





a.



b.



c.



d.

13. In a certain code language, 'FLORA' is written as 'DORII'. How will 'MUSIC' be written in that language? (+1, -0.25)

a. FVFPR

b. GQWQF

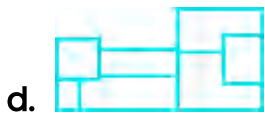
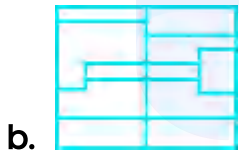
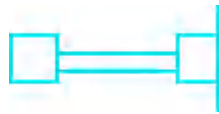
c. FFVRP

d. GFWQQ

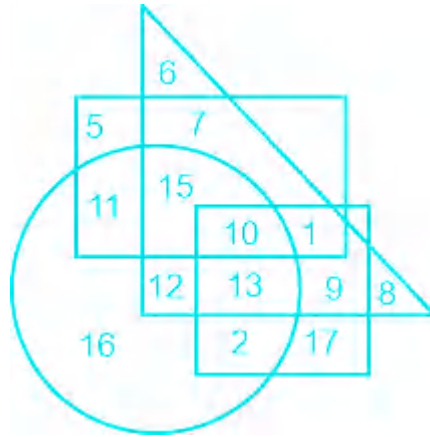
14. Rajan's family spends 60% of their monthly income on groceries, 12% of their monthly income on room rent, 8% of their monthly income on medical expenses, and the remaining amount of ₹18,000 is savings. What is Rajan's family's monthly income? (+1, -0.25)

- a. ₹80,250
- b. ₹90,200
- c. ₹90,000
- d. ₹80,000

15. Select the option in which the given figure is embedded (rotation is NOT allowed). (+1, -0.25)



16. In the following diagram, the circle represents 'Managers', the square represents 'Honest', the rectangle represents 'Females', and the triangle represents 'Rural'. (+1, -0.25)



The number that represents rural honest managers who are NOT females is:

- a. 12
- b. 9
- c. 13
- d. 10

17. Atharv is married to Chetna, who is the only sister of Dilip. Chetna's paternal grandfather is Mukul. Neha is married to Mukul and they have two sons, Hardik and Bhavesh. Hardik is unmarried. Anjali is the daughter-in-law of Neha. Gyan is the son of Dilip and Ekta. How is Chetna related to Gyan? (+1, -0.25)

- a. Wife
- b. Sister-in-law
- c. Aunt
- d. Daughter-in-law

18. Select the correct option that indicates the arrangement of the given words in the order in which they appear in an English dictionary. (+1, -0.25)

- 1. Censored
- 2. Cerebellum
- 3. Centripetal
- 4. Ceremonial
- 5. Centurion

- a. 1, 3, 5, 2, 4
- b. 3, 1, 2, 5, 4
- c. 3, 2, 1, 4, 5
- d. 1, 5, 3, 4, 2

19. Select the letter-cluster from among the given options that can replace the question mark (?) in the following series. (+1, -0.25)

STGMQ, SGQTM, SQMGT, ?

- a. STQMG
- b. SGTQM
- c. SMTQG
- d. SMQTG

20. Six friends, G, H I, J, K and L, are sitting around a circular table, facing towards the centre of the table. H is sitting third to the left of G. L and I are

(+1, -0.25)

not neighbours of H. K is sitting to the immediate right of I. Who is sitting to the immediate left of L?

- a. J
- b. H
- c. I
- d. G

21. Eight friends, P, Q, R, S, T, U, V and W, are sitting clockwise around a circular table in the same sequence, facing the centre, at equal distances between them. If U is facing the north-east direction, then who is facing the south direction? (+1, -0.25)

- a. T
- b. R
- c. S
- d. P

Your Personal Exams Guide

22. Select the correct mirror image of the given combination when the mirror is placed at PQ as shown. (+1, -0.25)



- a. TИAEMU8U00D
- b. TИAEM8AИT

- c. **DOC4NWE3IL**
- d. **DOC3NWE4IL**

23. 'Lucknow' is related to 'Gomti' in the same way as 'Varanasi' is related to '_____'. (+1, -0.25)

- a. Yamuna
- b. Saryu
- c. Ganga
- d. Godavari

24. Two different positions of the same dice are shown, the six faces of which are numbered from 1 to 6. Select the number that will be on the face opposite to the face showing '2'. (+1, -0.25)



- a. 5
- b. 3
- c. 4
- d. 1

25. In a certain code language, 'POEM' is coded as '63'. How will 'FILE' be coded in that language? (+1, -0.25)

- a. 78
- b. 82
- c. 80
- d. 76

prepp

Your Personal Exams Guide

General Knowledge and General Awareness

26. Who among the following was the founder of Khudai Khidmatgar, a predominantly Pashtun nonviolent resistance movement known for its activism against the British Raj in colonial India? (+1, -0.25)
- a. Lala Lajpat Rai
 - b. Bal Gangadhar Tilak
 - c. Khan Abdul Ghaffar Khan
 - d. Subhash Chandra Bose
-
27. Who among the following declares the Minimum Support Price (MSP) for the crops? (+1, -0.25)
- a. Ministry of Rural Development
 - b. Ministry of Consumer Affairs, Food and Public distribution
 - c. Ministry of Agriculture and Farmers Welfare
 - d. Ministry of Food Processing Industries
-
28. Which of the following is NOT a sustainable method of waste management? (+1, -0.25)
- a. Recycling
 - b. Landfill
 - c. Burning
 - d. Incineration

29. Which of the following words has been named the '2020 Word of the Year' (+1, -0.25) by Cambridge Dictionary?

- a. Pandemic
- b. Quarantine
- c. Lockdown
- d. Survive

30. As of October 2020, how many beaches of India have been awarded the (+1, -0.25) 'Blue Flag Certification'?

- a. 7
- b. 8
- c. 9
- d. 6

prepp
Your Personal Exams Guide

31. Which of the following is a characteristic of 'Pteridophytes'? (+1, -0.25)

- a. They do not have a true vascular tissue containing lignin.
- b. Their lifecycles are dominated by the gametophyte stage.
- c. Their sporophytes are unbranched.
- d. They neither produce flowers or seeds.

32. The first Economic Survey of India was presented in _____. (+1, -0.25)

- a. 1965–66
 - b. 1972–73
 - c. 1948–49
 - d. 1950–51
-

33. Who invented the electric bulb? (+1, -0.25)

- a. Albert Einstein
 - b. Isaac Newton
 - c. Thomas Alva Edison
 - d. Alexander Graham Bell
-

34. Which of the following statements about the Mughal Emperor Babur is INCORRECT? (+1, -0.25)

- a. He was the first Mughal Emperor.
 - b. He succeeded to the throne in 1494.
 - c. He was 18 years old when he ascended the throne.
 - d. He succeeded to the throne of Ferghana.
-

35. Which of the following was NOT a venue in IPL 2020? (+1, -0.25)

- a. Sharjah
- b. Muscat

- c. Dubai
 - d. Abu Dhabi
-

36. Lala Lajpat Rai, a nationalist from Punjab, was a member of the _____. (+1, -0.25)

- a. Conservative group
 - b. Moderate group
 - c. Radical group
 - d. Republican group
-

37. Who among the following was one of the Indian winners of the Great Immigrants of the Year 2020 award given by the US? (+1, -0.25)

- a. Deepak Chopra
 - b. Nikki Haley
 - c. Siddhartha Mukherjee
 - d. Gita Gopinath
-

38. Diego Maradona, the Argentine soccer player who passed away on 25 Nov 2020, is fondly remembered for one memorable goal known as: (+1, -0.25)

- a. 'Golden hand' goal
- b. 'Silver lining' goal
- c. 'Hand of God' goal

d. 'Hand of Maradona' goal

39. In which of the following states is the Similipal National Park located? (+1, -0.25)

- a. Odisha
 - b. Tamil Nadu
 - c. Bihar
 - d. Maharashtra
-

40. The term 'Panchsheel' is associated with which of the following options? (+1, -0.25)

- a. Fundamental Duties
 - b. Composition of NITI Aayog
 - c. Inter-State Relations
 - d. Foreign Policy of India
-

41. Which Indian union territory has 'Dugong' as the state animal? (+1, -0.25)

- a. Daman Diu
 - b. Puducherry
 - c. Ladakh
 - d. Andaman Nicobar
-

42. In which of the following states did the Union Minister of Youth Affairs and Sports, Kiren Rijiju virtually inaugurate the 11th Regional Centre of Sports Authority of India in November 2020? (+1, -0.25)
- a. Odisha
 - b. Assam
 - c. Kerala
 - d. Punjab
-

43. Every bill after being passed by the houses of parliament, either singly or in a joint sitting, is presented to the _____ for his assent. (+1, -0.25)
- a. President
 - b. Law Minister
 - c. Chief Justice
 - d. Prime Minister
-

44. Which of the following is an instrument of monetary policy of the Reserve Bank of India? (+1, -0.25)
- a. Public debt
 - b. Tax rate
 - c. Government expenditure
 - d. Repo rate
-

45. In which of the following seasons are watermelon, muskmelon etc. produced in India? (+1, -0.25)

- a. Kharif
 - b. Zaid
 - c. Rainy
 - d. Rabi
-

46. In November 2020, the Andaman and Nicobar Command (ANC) conducted a joint services exercise code-named _____ involving the three services components of Andaman and Nicobar Command. (+1, -0.25)

- a. Blue Ribbon
 - b. Bull Fight
 - c. Blue Sea
 - d. Bull Strike
-

47. Rice needs _____ to grow. (+1, -0.25)

- a. moderate temperature and rainfall
 - b. high temperature, high humidity and rainfall
 - c. moderate temperature and lots of sunshine
 - d. high temperature and light rainfall
-

48. The Rajarajeshwara temple at Thanjavur is dedicated to: (+1, -0.25)

- a. Lord Rama
- b. Lord Ganesh
- c. Lord Krishna
- d. Lord Shiva

49. With reference to the literature of the medieval Indian period, which of the following pairs is correct? (+1, -0.25)

- a. Rajatarangini - Bilhana
- b. Prithviraj Raso - Nripatunga
- c. Vikramankadevacharita - Kalhana
- d. Gitagovinda - Jayadeva

50. 'Jagoi', an Indian classical dance form, is traditionally from the state of (+1, -0.25)

-
- a. Punjab
 - b. Gujarat
 - c. Karnataka
 - d. Manipur

Elementary Mathematics

51. A person walking at a speed of 7.2 km/h and crosses a bridge in 25 minutes. Find the length of the bridge (in metres). (+1, -0.25)
- a. 1575
 - b. 1960
 - c. 3000
 - d. 2000
-
52. 152 is divided into three parts such that one-fifth of the first part, one-third of the second part and one-eleventh of the third part are equal. What is the sum of the second and the third part? (+1, -0.25)
- a. 112
 - b. 128
 - c. 120
 - d. 64
-
53. A certain sum of money amounts to Rs. 12,144 at simple interest in 4 years and to Rs. 13,984 in $6\frac{1}{2}$ years. The rate of interest is: (+1, -0.25)
- a. 9%
 - b. 8%
 - c. 10%
 - d. 6%

54. What is the greatest four-digit number which is exactly divisible by 24, 40 and 48? **(+1, -0.25)**
- a. 9960
 - b. 9990
 - c. 9980
 - d. 9840
-

55. From a basket full of eggs, 20% of the eggs broke, 8% were rotten and 24% were kept aside for baking a cake. The remaining 12 eggs were consumed by some people. How many eggs were there in the basket initially? **(+1, -0.25)**
- a. 25
 - b. 52
 - c. 20
 - d. 48
-

56. What is the third proportional to 18, 12? **(+1, -0.25)**
- a. 7
 - b. 8
 - c. $6\sqrt{6}$
 - d. 9
-

57. The average of 48 numbers is 48. It was found later that observation 48 was wrongly taken as 84 at two places. What is the correct average? (+1, -0.25)
- a. 47.25
 - b. 46.5
 - c. 84
 - d. 49.5

58. The value of $\frac{9 \div \{5 - 5 \div (6 - 7) \times 8 + 9\}}{4 + 4 \times 4 \div 4 \text{ of } 4}$ is: (+1, -0.25)
- a. $\frac{1}{10}$
 - b. $\frac{1}{30}$
 - c. $\frac{1}{15}$
 - d. $\frac{1}{90}$

59. Pipe A is a filling pipe while B and C are emptying pipes. Pipe A alone can fill the tank in 10 hours and pipe B alone can empty two-third part of the tank in 20 hours. If all the pipes are opened together, the tank is completely filled in 40 hours. In how many hours can C alone empty two-third part of the tank? (+1, -0.25)
- a. 24
 - b. 12
 - c. 16
 - d. 20

60. The incomes of A and B are in the ratio 5 : 7. The expenditure of A is equal to the savings of B. If the total expenditure of A and B is Rs. 15,750, then their savings (in Rs.) is: **(+1, -0.25)**

- a. 11,250
- b. 11,180
- c. 11,200
- d. 11,280

61. A trader earns a profit of 30% by selling an article X and loses 16% by selling another article Y. If the ratio of the cost prices of X and Y is 3 : 4, then what is the gain/loss in the entire transaction (correct to one decimal place)? **(+1, -0.25)**

- a. Gain of 3.7%
- b. Gain of 4.8%
- c. Loss of 4.5%
- d. Loss of 3.9%

62. Marked price of an item is Rs. 800. If a shopkeeper offers two discounts, one of 10% and another of 5% on the item, how much will be the selling price of the item? **(+1, -0.25)**

- a. Rs. 690
- b. Rs. 720
- c. Rs. 562

d. Rs. 684

63. 15 persons begin to work together on a job, but after some days 6 persons leave. As a result, the job which could have been completed in 42 days is completed in 54 days. After how many days of the commencement of the work did 6 persons leave? (+1, -0.25)

a. 24

b. 12

c. 18

d. 32

64. The amount obtained by investing a sum of Rs. 15,000 at 8% p.a. in a certain time is Rs. 17,496, interest compounded annually. What will be the amount (in Rs.) of the same sum at 15% p.a. for the same time, interest compounded 8-monthly? (+1, -0.25)

a. 19,976

b. 19,965

c. 19,943

d. 19,954

65. Amarnath invested a sum of Rs. 22,500. At what rate of simple interest per annum will he obtain a total amount of Rs. 28,800 at the end of 4 years? (+1, -0.25)

a. 7%

- b. 6%
- c. 5%
- d. 4%

66. A motor boat covers a distance of 24 km upstream in one hour more than the time taken to cover the same distance downstream. If the speed of the current of the river is 2 km/h, then what is the speed (in km/h) of the boat in upstream travel? (+1, -0.25)

- a. 8
- b. 6
- c. 10
- d. 9

67. In a right-angled triangle, the right angle is contained between the sides with lengths 14 cm and 48 cm. If it is made to revolve around the longer side, what is the volume of the solid so formed? (use $\pi = \frac{22}{7}$) (+1, -0.25)

- a. 29568 cm³
- b. 2112 cm³
- c. 33792 cm³
- d. 9462 cm³

68. The average weight of a certain number of children in a group was 31 kg. If 11 children of average weight 32.5 kg joined the group, then the average (+1, -0.25)

weight of all the children would increase by 0.25 kg. The number of children initially in the group was:

- a. 60
- b. 50
- c. 55
- d. 45

69. The marked price of an item is Rs. 15,800. If a shopkeeper earns a profit of (+1, -0.25) 18% after allowing a discount of 20%, then the cost price (in Rs.) of the item (nearest to Rs. 1) is:

- a. 12,640
- b. 15,415
- c. 13,756
- d. 10,712

Your Personal Exams Guide

70. The volume of a right circular cylinder is 8448 cm^3 and its curved surface area (in cm^2) is $\frac{1}{8}$ of the number representing its volume. What is the height (in cm) of the cylinder? (+1, -0.25)

- a. 8.4
- b. 9.1
- c. 11.2
- d. 10.5

71. Find the value of $3 + (1 + \frac{1}{2} - \{3 - (8 \div 2)\} + \frac{1}{3} + \frac{2}{5})$. (+1, -0.25)

a. $\frac{187}{30}$

b. $\frac{67}{30}$

c. $\frac{37}{30}$

d. $\frac{125}{30}$

72. In a college election, the winning secretarial candidate got 69% of the votes and won 342 votes more than his rival. The total number of students in the college is: (+1, -0.25)

a. 800

b. 900

c. 750

d. 1000



Your Personal Exams Guide

73. The profit made by selling an article for Rs. 12,400 is equal to the loss incurred on selling the same article at Rs. 10,600. What will be the profit per cent if it is sold for Rs. 14,950? (+1, -0.25)

a. 25

b. 28

c. 32

d. 30

74. If the retail price of a table is Rs. 900 and the gain percentages of the manufacturer, the wholesale dealer and the retailer are 8%, 10% and 20%, respectively, then what is the cost of production of the table (rounded off to the integer value)? (+1, -0.25)
- a. Rs. 869
 - b. Rs. 631
 - c. Rs. 546
 - d. Rs. 750
-

75. The LCM and HCF of two numbers are 420 and 6, respectively. If sum of the numbers is 102, then what is the difference of the numbers? (+1, -0.25)
- a. 22
 - b. 42
 - c. 18
 - d. 60
- prepp
Your Personal Exams Guide

English

76. Parts of the given sentence have been given as options. One of them contains a grammatical error. Select the option that has the error. (+1, -0.25)

A grand celebration in honour of a first woman gold medallist was organised by the family members.

- a. a first woman gold medalist
- b. by the family members
- c. in honour of
- d. grand celebration

-
77. Select the most appropriate option that can substitute the underlined segment in the given sentence. If there is no need to substitute it, select 'No substitution required'. (+1, -0.25)

You are ill if you eat all that food.

- a. have been
- b. will be
- c. were
- d. No substitution required

-
78. Select the option that can be used as a one-word substitute for the given group of words. (+1, -0.25)

The sound a bear makes

- a. Caw
 - b. Bray
 - c. Growl
 - d. Purr
-

79. Select the most appropriate meaning of the given idiom. (+1, -0.25)

To put something on hold

- a. To cancel something
 - b. To procure something
 - c. To postpone something
 - d. To transfer something
-

80. Select the option that can be used as a one-word substitute for the given group of words. (+1, -0.25)

A person who loves, supports and defends his country

- a. Dreamer
 - b. Lover
 - c. Fellow man
 - d. Patriot
-

81. Select the INCORRECTLY spelt word. (+1, -0.25)

- a. Picnic
 - b. Picture
 - c. Pickel
 - d. Piano
-

82. Select the most appropriate option to fill in the blank. (+1, -0.25)

_____, he has only himself to blame.

- a. Immediately
 - b. Accurately
 - c. Ultimately
 - d. Happily
-

83. Select the most appropriate synonym of the given word. (+1, -0.25)

Restrain

- a. Provoke
 - b. Control
 - c. Force
 - d. Encourage
-

84. Select the most appropriate option that can substitute the underlined segment in the given sentence. If there is no need to substitute it, select (+1, -0.25)

'No substitution required'.

Last Sunday I returning home late at night.

- a. No substitution required
 - b. I returned home
 - c. I am returning home
 - d. I had been returning home
-

85. Select the most appropriate ANTONYM of the given word. (+1, -0.25)

Resource

- a. Property
 - b. Reserve
 - c. Lack
 - d. Source
-

86. The following sentence has been split into four segments. Identify the segment that contains a grammatical error. (+1, -0.25)

Nobody were / allowed into / the containment zones / during the pandemic.

- a. during the pandemic
 - b. allowed into
 - c. the containment zones
-

d. Nobody were

87. Parts of the given sentence have been given as options. One of them contains a grammatical error. Select the option that has the error. (+1, -0.25)

Children are fond of eating food from Mala aunties small shop at the corner of the street.

- a. Mala aunties small shop
 - b. are fond of
 - c. food from
 - d. at the corner
-

88. Select the most appropriate option to fill in the blank. (+1, -0.25)

Though he earned meagre wages, he was _____ with his life.

- a. contented
 - b. enthusiastic
 - c. irritated
 - d. miserable
-

89. Select the most appropriate option to fill in the blank. (+1, -0.25)

The type of turban worn by Indians _____ from one region to another.

- a. varies
- b. originates

- c. belongs
 - d. follows
-

90. Select the most appropriate option that can substitute the underlined word in the given sentence. (+1, -0.25)

She was the only companion Becky could confine in.

- a. confide
 - b. console
 - c. confer
 - d. content
-

91. Select the option that can be used as a one-word substitute for the given group of words. (+1, -0.25)

A recurrent urge to steal

- a. Kleptomania
 - b. Pyromania
 - c. Monomania
 - d. Dipsomania
-

92. Select the most appropriate ANTONYM of the given word. (+1, -0.25)

Collect

- a. Hoard

- b. Compose
 - c. Disperse
 - d. Confine
-

93. Select the INCORRECTLY spelt word. (+1, -0.25)

- a. Termite
 - b. Terabyte
 - c. Terrestrial
 - d. Terminal
-

94. Select the most appropriate synonym of the given word. (+1, -0.25)

Vital

- a. Hungry
 - b. Crucial
 - c. Bold
 - d. Ambitious
-

95. Select the most appropriate meaning of the given idiom. (+1, -0.25)

At the eleventh hour

- a. Too late in the night
- b. One hour before noon

- c. At the very last minute
- d. At 11:00 am

96. Comprehension:

(+1, -0.25)

In the following passage, some words have been deleted. Read the passage carefully and select the most appropriate option to fill in each blank.

Life processes are similar in all animals with (1) _____. So physiologists can find out a lot about the human body by studying animals (2) _____ frogs, rats and rabbits. Sometimes, research involves the death of these animals. But, physiologists take great care to not (3) _____ the animals. The animals are (4) _____ put to sleep during the experiments. It is only by physiological research (5) _____ medicine has been able to advance

Select the most appropriate option to fill in blank number 1.

- a. backbone
- b. the backbones
- c. the backbone
- d. backbones

97. Comprehension:

(+1, -0.25)

In the following passage, some words have been deleted. Read the passage carefully and select the most appropriate option to fill in each blank.

Life processes are similar in all animals with (1)_____. So physiologists can find out a lot about the human body by studying animals (2)_____ frogs, rats and rabbits. Sometimes, research involves the death of these animals. But, physiologists take great care to not (3)_____ the animals. The animals are (4)_____ put to sleep during the experiments. It is only by physiological research (5)_____ medicine has been able to advance

Select the most appropriate option to fill in blank number 2.

- a. as like as
- b. as such
- c. such as
- d. as like

98. Comprehension:

(+1, -0.25)

In the following passage, some words have been deleted. Read the passage carefully and select the most appropriate option to fill in each blank.

Life processes are similar in all animals with (1)_____. So physiologists can find out a lot about the human body by studying animals (2)_____ frogs, rats and rabbits. Sometimes, research involves the death of these animals. But, physiologists take great care to not (3)_____ the animals. The animals are (4)_____ put to sleep during the experiments. It is only by physiological research (5)_____ medicine has been able to advance

Select the most appropriate option to fill in blank number 3.

- a. hurt

- b. displease
- c. damage
- d. destroy

99. Comprehension:

(+1, -0.25)

In the following passage, some words have been deleted. Read the passage carefully and select the most appropriate option to fill in each blank.

Life processes are similar in all animals with (1)_____. So physiologists can find out a lot about the human body by studying animals (2)_____ frogs, rats and rabbits. Sometimes, research involves the death of these animals. But, physiologists take great care to not (3)_____ the animals. The animals are (4)_____ put to sleep during the experiments. It is only by physiological research (5)_____ medicine has been able to advance

Select the most appropriate option to fill in blank number 4.

- a. oddly
- b. strangely
- c. usually
- d. incidentally

100. Comprehension:

(+1, -0.25)

In the following passage, some words have been deleted. Read the passage carefully and select the most appropriate option to fill in each blank.

Life processes are similar in all animals with (1)_____. So physiologists can find out a lot about the human body by studying animals (2)_____ frogs, rats and rabbits. Sometimes, research involves the death of these animals. But, physiologists take great care to not (3)_____ the animals. The animals are (4)_____ put to sleep during the experiments. It is only by physiological research (5)_____ medicine has been able to advance

Select the most appropriate option to fill in blank number 5.

- a. that
- b. then
- c. than
- d. so

prepp

Your Personal Exams Guide

Answers

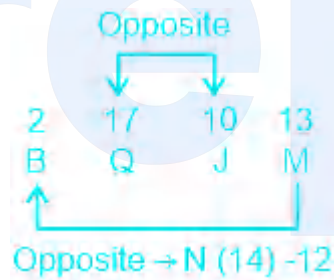
1. Answer: d

Explanation:

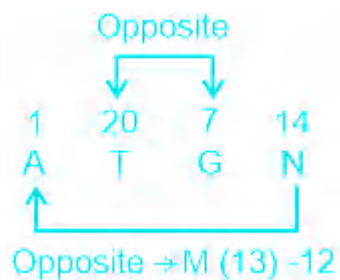
The logic followed here is :-

Alphabets	A	B	C	D	E	F	G	H	I	J	K	L	M
Positional value	1	2	3	4	5	6	7	8	9	10	11	12	13
Positional value	26	25	24	23	22	21	20	19	18	17	16	15	14
Alphabets	Z	Y	X	W	V	U	T	S	R	Q	P	O	N

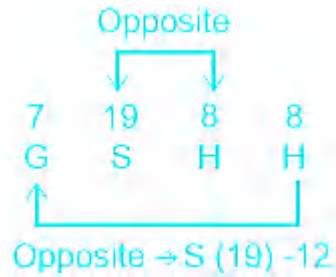
1) BQJM



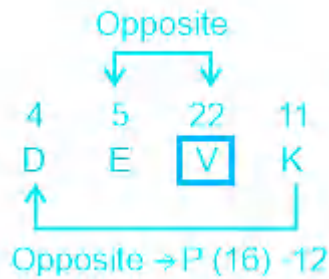
2) ATGN



3) GSHH



4) DEWK



\therefore Here, 'DEWK' is different from other three alternatives.

Hence, the correct answer is "DEWK".

2. Answer: a

Explanation:

The logic followed here is :-

By using BODMAS RULE :

B	Brackets in order (), {}, []	ब्रैकेट (), {}, [] क्रम में
O	of	का
D	Division (÷)	विभाजन (÷)
M	Multiplication (×)	गुणा (×)
A	Addition (+)	जोड़ (+)
S	Subtraction (-)	घटाव (-)

Option 1) : 27 and 24

- Given equation : $27 + 36 \div 9 \times 15 - 24 = 57$

After interchanging the numbers in given equation the equation is as follows :

- $24 + 36 \div 9 \times 15 - 27 = 57$
- $24 + 4 \times 15 - 27 = 57$
- $24 + 60 - 27 = 57$
- $84 - 27 = 57$
- $57 = 57$

LHS = RHS

Option 2) : 27 and 9

- Given equation : $27 + 36 \div 9 \times 15 - 24 = 57$

After interchanging the numbers in given equation the equation is as follows :

- $9 + 36 \div 27 \times 15 - 24 = 57$
- $9 + 1.33 \times 15 - 24 = 57$

- $9 + 20 - 24 = 57$
- $29 - 24 = 57$
- $5 \neq 57$

LHS \neq RHS

Option 3) : 24 and 9

- Given equation : $27 + 36 \div 9 \times 15 - 24 = 57$

After interchanging the numbers in given equation the equation is as follows :

- $27 + 36 \div 24 \times 15 - 9 = 57$
- $27 + 1.5 \times 15 - 9 = 57$
- $27 + 22.5 - 9 = 57$
- $49.5 - 9 = 57$
- $40.5 \neq 57$

LHS \neq RHS

Option 3) : 15 and 9

- Given equation : $27 + 36 \div 9 \times 15 - 24 = 57$

After interchanging the numbers in given equation the equation is as follows :

- $27 + 36 \div 15 \times 9 - 24 = 57$
- $27 + 2.4 \times 9 - 24 = 57$
- $27 + 21.6 - 24 = 57$
- $48.6 - 24 = 57$
- $24.6 \neq 57$

LHS \neq RHS

Hence, the correct answer is "27 and 24".

3. Answer: b

Explanation:

Given :- TK_TKT_P_K_KPTK_K_TK

By checking options and substituting accordingly.

1) P, T, K, P, T, K → TK PTK - T TP KK - PKPTK - TK KTK

2) P, K, T, T, T, P → TK PTK - T KP TK - TKPTK - TK PTK

- Here "TKPTK" is repeated.

3) P, K, T, P, K, T → TK PTK - T KP TK - PKPTK - KK TTK

4) P, T, T, K, P, T → TK PTK - T TP TK - KKPTK - PK TTK

- Option (2) gives the pattern of :- **TKPTK- TKPTK - TKPTK- TKPTK**.

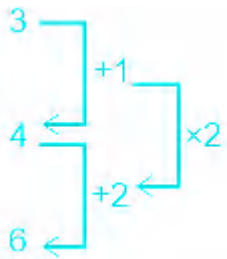
Hence, the correct answer is "P, K, T, T, T, P".

4. Answer: c

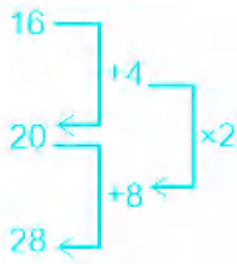
Explanation:

The logic followed here is :-

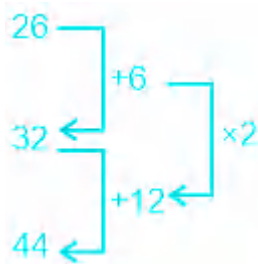
Column 1 : 3, 4, 6



Column 2 : 16, 20, 28



Column 3 : 26, 32, ?

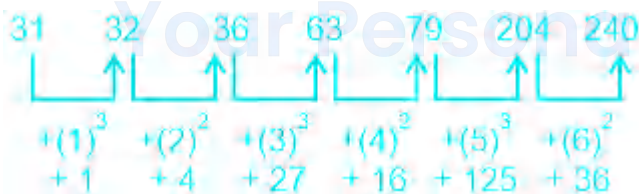


Hence, the correct answer is "44".

5. Answer: d

Explanation:

The logic followed here is :-

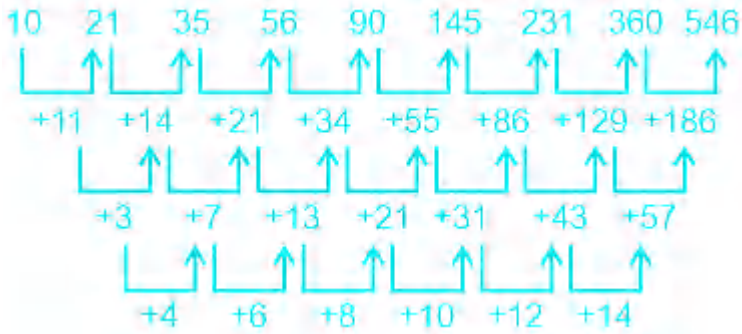


Hence, the correct answer is "240".

6. Answer: a

Explanation:

The logic followed here is :-



Hence, the correct answer is "546".

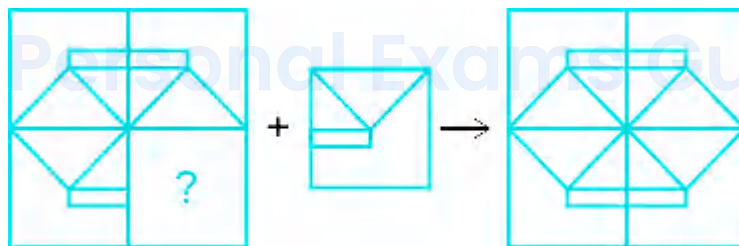
7. Answer: a

Explanation:

★ Mistake Points

If we observe between Option 1 and Option 2 carefully in Option 2 the rectangle is at near to right end but in Option 1 rectangle is in middle and same as upper part of diagram.

The figure that complete the given pattern is as shown below :-



Hence, the correct answer is "Option 1"

8. Answer: c

Explanation:

The least possible Venn diagram for the given statements is as shown below :



Conclusions:

I. No tractor is a car \rightarrow False (As Some cars are trains and Some trains are tractors so, No tractor is a car is possible)



II. No train is a car \rightarrow False (As Some cars are trains and Some trains are tractors so, No train is a car is false)

III. Some tractors are cars \rightarrow False (As Some cars are trains and Some trains are tractors so, Some tractors are cars is possible)



Conclusion I and III form a complimentary pair.

Hence, the correct answer is "Either conclusion I or III follows".

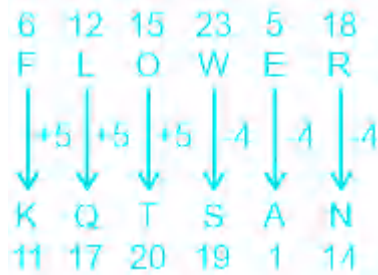
9. Answer: c

Explanation:

The logic followed here is :-

Alphabets	A	B	C	D	E	F	G	H	I	J	K	L	M
Positional value	1	2	3	4	5	6	7	8	9	10	11	12	13
Positional value	26	25	24	23	22	21	20	19	18	17	16	15	14
Alphabets	Z	Y	X	W	V	U	T	S	R	Q	P	O	N

'FLOWER' is written as 'KQTSAN'.



Similarly,

'WINDOW' will be written as :



Hence, the correct answer is "BNSZKS".

10. Answer: d

Explanation:

The logic followed here is :-

Sum of digits of Second number = First number.

- 15 : 555 → 5 + 5 + 5 = 15

- $17 : 719 \rightarrow 7 + 1 + 9 = 17$

Similarly,

- $? : 221 \rightarrow 2 + 2 + 1 = 5$

Hence, the correct answer is "5".

11. Answer: b

Explanation:

The logic followed here is :-

Alphabets	A	B	C	D	E	F	G	H	I	J	K	L	M
Positional value	1	2	3	4	5	6	7	8	9	10	11	12	13
Positional value	26	25	24	23	22	21	20	19	18	17	16	15	14
Alphabets	Z	Y	X	W	V	U	T	S	R	Q	P	O	N

- First letter of word is increased by +2.
- Second letter of word is increased by +3.
- This above logic is repeated for other alphabets alternatively.

LARGE : NDTJG

12	1	18	7	5
L	A	R	G	E
↓	↓	↓	↓	↓
+2	+3	+2	+3	+2
↓	↓	↓	↓	↓
N	D	T	J	G
14	4	20	10	7

Similarly,

APPLES : ?

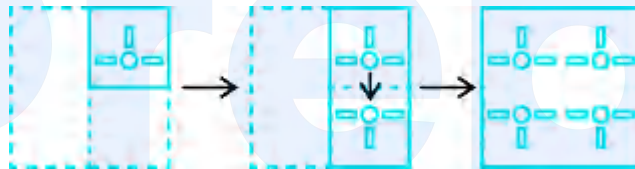


Hence, the correct answer is "CSROGV".

12. Answer: b

Explanation:

After unfolding the given paper the figure formed is as shown below :-



Hence, the correct answer is "Option 2".

Your Personal Exams Guide

13. Answer: c

Explanation:

The logic followed here is :-

Alphabets	A	B	C	D	E	F	G	H	I	J	K	L	M
Positional value	1	2	3	4	5	6	7	8	9	10	11	12	13
Positional value	26	25	24	23	22	21	20	19	18	17	16	15	14
Alphabets	Z	Y	X	W	V	U	T	S	R	Q	P	O	N

'FLORA' is written as 'DORII'.



Similarly,

'MUSIC' will be written as :



Hence, the correct answer is "FFVRP".

Your Personal Exams Guide

14. Answer: c

Explanation:

Let us consider total **monthly income of Rajan's family = 100%**

- ☒ Rajan's family spent monthly income on groceries = 60%
- ☒ Rajan's family spent monthly income on room rent = 12%
- ☒ Rajan's family spent monthly income on medical expenses = 8%

Total expenditure = 60% + 12% + 8%

Total expenditure = 80%

☒ **Total Income = Total Expenditure + Savings**

100% = 80% + Savings

☒ **Savings = 20% of Rajan's monthly income.**

Given amount of savings = 18000/-

∴ 20% = 18000/-

⇒ 1% = 18000/20

⇒ 1% = 900/-

Total monthly income of Rajan's family = 100%

As 1% = 900/-

⇒ 1% × 100 = 900 × 100

⇒ **100% = 90,000/-**

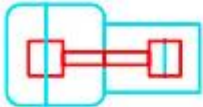
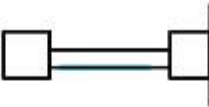
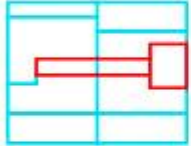
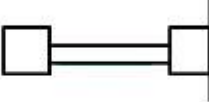
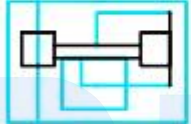
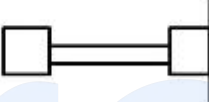


∴ Here, Total monthly income of Rajan's family is 90,000/-.

Hence, the correct answer is "90,000/-".

15. Answer: c

Explanation:

The image embedded in given figure is as shown below :

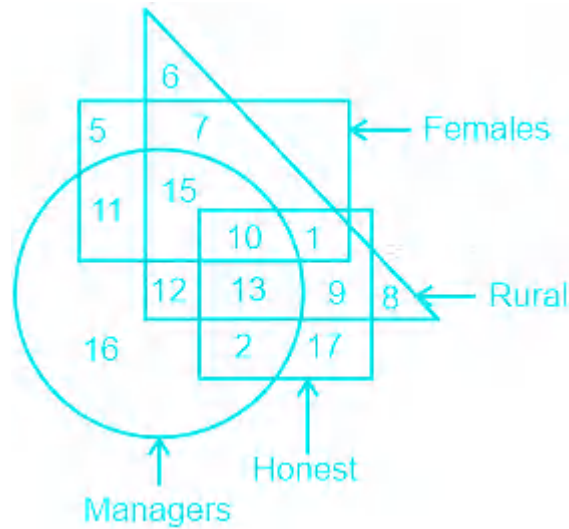
No.	Option	Question	Answer
1.			Not Embedded
2.			Not Embedded
3.			Embedded
4.			Not Embedded

Hence, the correct answer is "Option 3".

16. Answer: c

Explanation:

The least possible Venn diagram from the given representation is as shown below :-



∴ Here, '13' members represents rural honest managers who are NOT females.

Hence, the correct answer is "13".

17. Answer: c

Explanation:

Family Chart :-

Your Personal Exams Guide

Symbol in Diagram	Meaning
○	Female
□	Male
══	Married Couple
—	Siblings
	Difference of A Generation

According to the given information:-

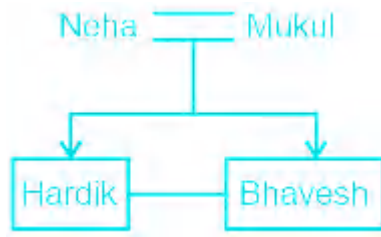
1) Atharv is married to Chetna, who is the only sister of Dilip.



2) Gyan is the son of Dilip and Ekta.

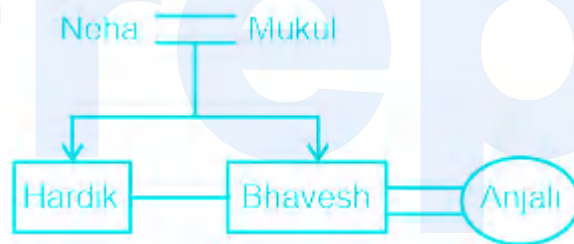


3) Neha is married to Mukul and they have two sons, Hardik and Bhavesh.



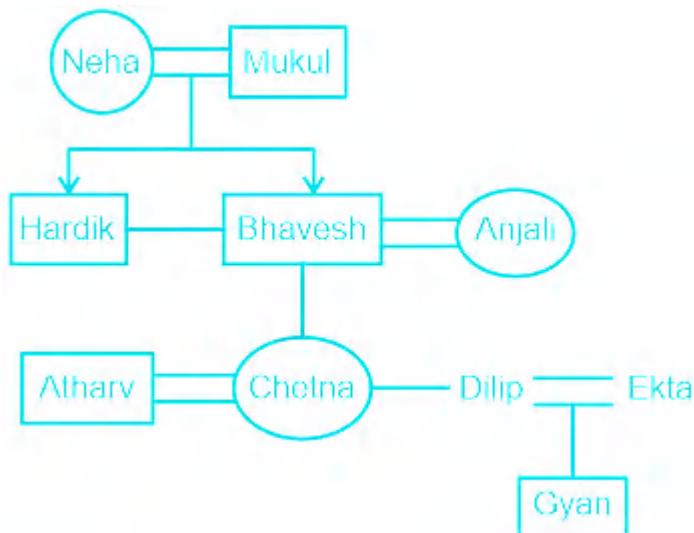
4) Hardik is unmarried. Anjali is the daughter-in-law of Neha.

So Anjali is married to Bhavesh.



5) Chetna's paternal grandfather is Mukul.

So, Mukul is a male and Neha is a female.



∴ Here, 'Chetna is aunt of Gyan from the family tree'.

Hence, the correct answer is "**Aunt**".

18. Answer: a

Explanation:

The arrangement of the given words in the order in which they appear in an English dictionary is as shown below :

The two letters C and E are common in all these words. So we will start from third letter.

1. Censored
3. Centripetal
5. Centurion
2. Cerebellum
4. Ceremonial

Hence, the correct answer is "**1, 3, 5, 2, 4**".

19. Answer: c

Explanation:

The logic followed here is :-



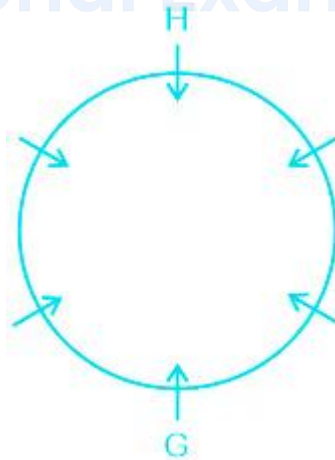
Hence, the correct answer is "SMTQG".

20. Answer: a

Explanation:

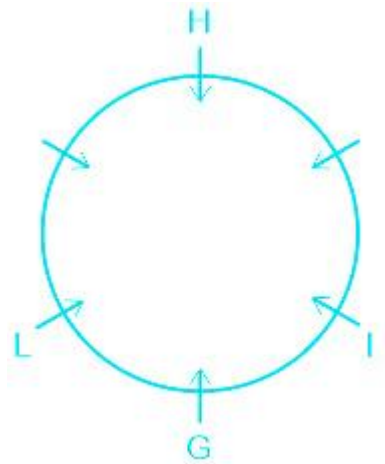
Six friends, G, H, I, J, K and L, are sitting around a circular table, facing towards the centre of the table.

1) H is sitting third to the left of G.

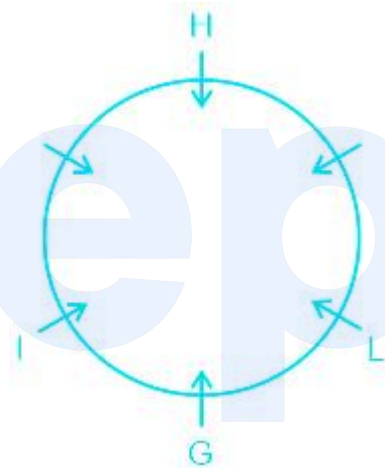


2) L and I are not neighbours of H.

Case (i) :

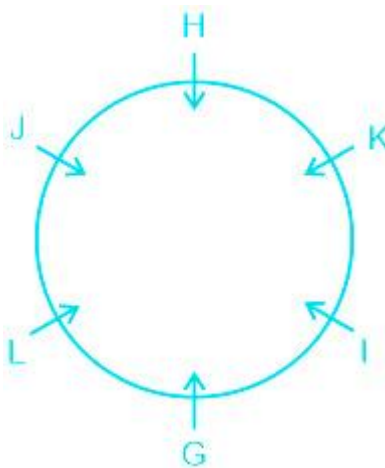


Case (ii) :



3) K is sitting to the immediate right of I.

Here case (ii) gets eliminated.



∴ Here, 'J' is sitting to immediate left of 'L'.

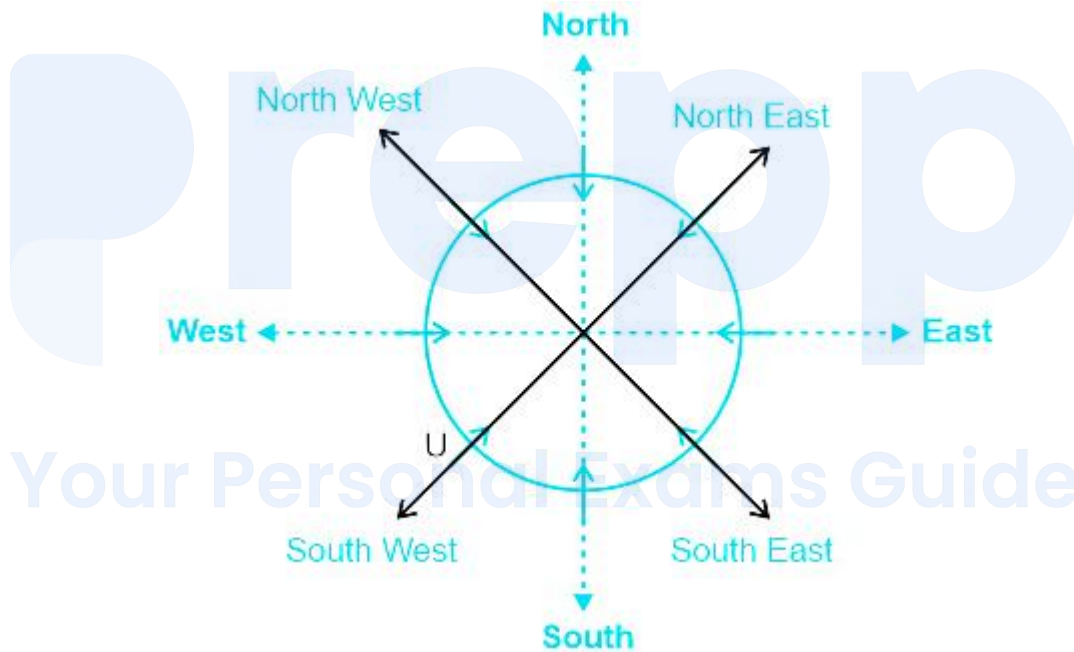
Hence, the correct answer is "J".

21. Answer: d

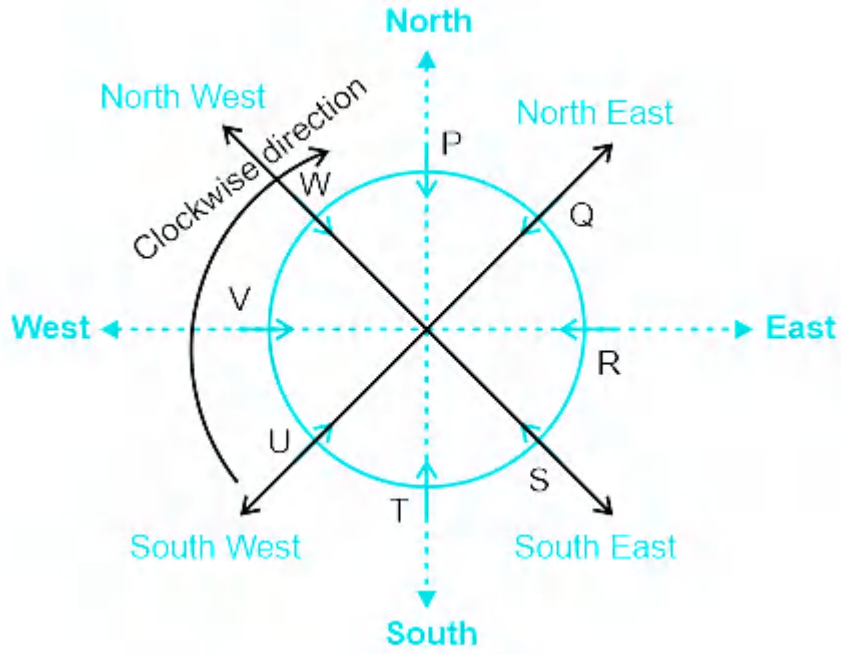
Explanation:

Eight friends, P, Q, R, S, T, U, V and W, are sitting clockwise around a circular table in the same sequence, facing the centre, at equal distances between them.

1) If U is facing the north-east direction



2) Eight friends, P, Q, R, S, T, U, V and W, are sitting clockwise around a circular table in the same sequence facing the centre.



∴ Here, 'P' is facing in south direction.

Hence, the correct answer is "P".

22. Answer: b

Explanation:

The correct mirror image of the given combination when the mirror is placed at PQ is as shown below :-



Detailed Explanation:

- The line PQ is the mirror.
- The word "DOC4UME9NT" ends with 'T'. So the mirror image will start with "T" ⇒ Option 3 and option 4 is eliminated.

- The word " DOC4UME9NT " has last third letter '9'. So the mirror image should be "



" ⇒ Option 1 is eliminated

Hence, the correct answer is "Option 2".

23. Answer: c

Explanation:

The logic followed here is :-

Lucknow is situated on bank of river 'Gomti'.

Similarly,

Varanasi is situated on bank of river 'Ganga'.

Hence, the correct answer is "Ganga".

★ Important Points

City	River
Agra, Matura, Delhi	Yamuna
Ayodhya	Saryu
Nashik	Godavari

Your Personal Exams Guide

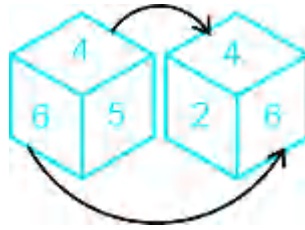
24. Answer: a

Explanation:

In first and second dice 4, 6 are common in both dice.

First dice is rotated anti-clockwise in horizontal direction the other adjacent side of 4, 6 is '2'.

As from above dices the opposite side of 5 is '2'.



Logic : If two dice have the same two face value in the given image then the third number is opposite to each other.



In first dice and second dice.

Numbers 4, 6 are common.

∴ Here, '5' is opposite face showing face '2'.

Hence, the correct answer is "5".

25. Answer: c

Explanation:

The logic followed here is :-

Alphabets	A	B	C	D	E	F	G	H	I	J	K	L	M
Positional value	1	2	3	4	5	6	7	8	9	10	11	12	13
Positional value	26	25	24	23	22	21	20	19	18	17	16	15	14
Alphabets	Z	Y	X	W	V	U	T	S	R	Q	P	O	N

Sum of opposite alphabet positional values of given word + Number of letters in given word.

'POEM' is coded as '63'.



Number of letter in word POEM = 4

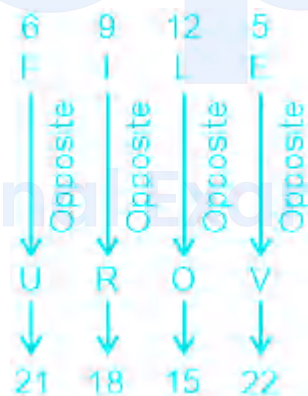
$$= (11 + 12 + 22 + 14) + 4$$

$$= 59 + 4$$

$$= 63.$$

Similarly,

'FILE' will be coded as :



Number of letters of word FILE = 4

$$= (21 + 18 + 15 + 22) + 4$$

$$= 76 + 4$$

$$= 80.$$

Hence, the correct answer is "80".

26. Answer: c

Explanation:

The correct answer is Khan Abdul Ghaffar Khan.

★ Key Points

- **Khan Abdul Ghaffar Khan** was the founder of Khudai Khidmatgar, a predominantly Pashtun nonviolent resistance movement known for its activism against the British Raj in colonial India.
- He formed the Khudai Khidmatgar party on the eve of the Qissa Khwani Bazaar Massacre in March 1930.
- Khan Abdul Ghaffar Khan founded several reform movements prior to the formation of the Khudai Khidmatgar, the Anjuman-e Islah ul-Afghan in 1921, the farmers' organization Anjuman-e Zamidaran in 1927, and the youth movement Pashtun Jirga in 1927.
- Khudai Khidmatgar is a predominantly Pashtun nonviolent resistance movement known for its activism against the British Raj in colonial India.
- In June 1947, the Khudai Khidmatgars declared the Bannu Resolution, demanding that the Pashtuns be given a choice to have an independent state of Pashtunistan, composing all Pashtun territories of British India, instead of being made to join Pakistan.

★ Additional Information

- Lala Lajpat Rai:
 - He was born in Punjab. Also known by 'Punjab Kesari'.
 - He was influenced by Swami Dayananda Saraswati and joined the Arya Samaj in Lahore.
 - Along with Bipin Chandra Pal and Bal Gangadhar Tilak, he formed the Lal-Bal-Pal trio of extremist leaders.
 - Fought against untouchability.
 - Founded the Servants of People Society in 1921.
- Bal Gangadhar Tilak raised the slogan, "Swaraj is my birthright and I shall have it!".

- The word Swarajya was first coined by Bal Gangadhar Tilak.
- Bal Gangadhar Tilak was also known as Lokmanya Tilak.
- He established a prominent organization Deccan Education Society to promote modern learning.
- He also established Fergusson College at Pune.
- Subhash Chandra Bose:
 - He founded the Independence for India League with Jawaharlal Nehru.
 - He was elected as the President of INC at its Haripura Session(1938) and Tripuri Session (1939) but resigned from Tripuri due to differences with Mahatma Gandhi.
 - He took the charge of the Indian Army (Azad Hind Fauj) in 1943 in Singapore and set up an Indian Provisional government there.
 - Subhash Chandra Bose was the one who addressed Mahatma Gandhi as the Father of the Nation.

27. Answer: c

Explanation:

The correct answer is Ministry of Agriculture and Farmers Welfare.

★ Key Points

- **Ministry of Agriculture and Farmers Welfare** declares the Minimum Support Price (MSP) for the crops.
- Minimum Support Price (MSP) is market intervention by the Government of India to insure agricultural producers against any sharp fall in farm prices.
- Government announces minimum support prices (MSPs) for 22 mandated crops and fair and remunerative prices (FRP) for sugarcane.
- The mandated crops are 14 crops of the Kharif season, 6 rabi crops, and two other commercial crops.
- Announced on the basis of the recommendations of the Commission for Agricultural Costs and Prices (CACP).
- CACP is a decentralized agency and the advisory body to the Ministry of Agriculture & Farmers Welfare of the Government of India.

★ Additional Information

- **The Ministry of Agriculture & Farmers Welfare**, formerly the Ministry of Agriculture, is a branch of the Government of India and the apex body for formulation and administration of the rules and regulations and laws related to agriculture in India.
- Headquarters: New Delhi
- Jurisdiction: India
- Officeholders: **Parshottam Rupala (Minister of State)**.

28. Answer: c

Explanation:

The correct answer is Burning.

★ Key Points

- **Sustainable method of waste management:**
- **Recycling**
 - Recycling refers to both the direct reuse of used products (e.g. used clothing and functioning parts removed from used vehicles) and material recycling, that is the recovery of raw materials from waste.
- **Incineration**
 - Combustible waste from households and waste wood that is not suitable for recycling undergo thermal treatment in waste incineration plants or waste wood furnaces.
 - The heat released in the process is used to generate electricity and heat buildings.
- **Chemical-physical and biological treatment**
 - The objective of both chemical-physical and biological treatment is to enable the removal of pollutants from waste or its safe landfilling. Wastewater and polluted excavated material are typical of the types of waste that are managed in this way.
- **Landfills**

- Residues from waste incineration or waste that is not suitable for material recycling or thermal treatment are deposited in landfills that are compliant with the legal requirements.
 - **Collection and logistics**
 - The waste management sector involves many different specialised actors.
 - Their tasks include the collection of waste at source (industry, commerce and households) in suitable transport containers, its intermediate storage and handover to waste disposal operations.
 - Hence **Burning** is NOT a sustainable method of waste management.
-

29. Answer: b

Explanation:

The correct answer is Quarantine.

★ Key Points

- "Quarantine" has been named the 2020 Word of the Year by the Cambridge Dictionary.
- Cambridge Dictionary's data shows it was one of the most highly searched words on its website this year.
- "Quarantine" was closely followed by "lockdown" and "pandemic" on the shortlist for Word of the Year.
- Earlier in Nov 2020, Collins Dictionary said "lockdown" was its Word of The Year in 2020.

★ Additional Information

- Merriam-Webster has announced "pandemic" as its 2020 word of the year.
-

30. Answer: b

Explanation:

The correct answer is 8.

★ Key Points

- **8 beaches** of India have been awarded the 'Blue Flag Certification'.
- Blue Flag' certification is a certification that is given to a beach, marina, or sustainable boating tourism operator.
- It also serves as an eco-label.
- The certification indicates their high environmental and quality standards.
- It is awarded by the Foundation for Environmental Education, an NGO based in Denmark .
- It puts strict environmental, educational, safety-related & access-related parameters that applicants must achieve and maintain.
- It was instituted in France in 1985 and for nations out of Europe in 2001.

★ Additional Information

- 10 Indian beaches have been awarded the prestigious 'Blue Flag' certification by an international jury comprising members of the following organisations: (Oct 2022)

Your Personal Exams Guide

Beaches	States
Padubidri	Karnataka
Kasargod	Karnataka
Rushikonda	Andhra Pradesh
Shivrajpur	Gujarat
Golden/ Puri beach	Odisha
Ghogha	Diu
Radhanagar	Andaman & Nicobar Islands
Kappad	Kerela
Kovalam	Tamil Nadu
Eden	Puducherry

31. Answer: d

Explanation:

The correct answer is They neither produce flowers or seeds.

★ Key Points

- Pteridophyta
 - The plant body is differentiated into roots, stems, and leaves, apart from having a specialized tissue for conduction.
 - The plant body is differentiated into roots, stems, and leaves
 - It has specialized tissue for the conduction of water and other substances from one part of the plant body to another.
 - Some examples are Marsilea, ferns, and horsetails.
 - They produce neither flowers nor seeds . That is why they are sometimes referred to as "cryptogams" (hidden reproductive organs)

★ Additional Information

- The Life cycle of Pteridophytes:
 - In pteridophytes, the main plant body is a sporophyte i.e diploid which is differentiated into true root, stem, and leaves
 - These organs possess well-differentiated vascular tissues.
 - The leaves in Pteridophyta are small (microphylls) as in Selaginella or large (macrophylls) as in ferns.
 - The sporophytes bear sporangia that are subtended by leaf-like appendages called sporophylls .
 - The sporangia produce spores by meiosis in spore mother cells.
 - The spores germinate to give rise to inconspicuous, small but multicellular, free-living, mostly photosynthetic thalloid gametophytes called prothallus.
 - The gametophytes bear male and female sex organs called antheridia and archegonia, respectively.
 - Water is required for the transfer of antherozoids – the male gametes released from the antheridia to the mouth of the archegonium.
 - Fusion of male gamete with the egg present in the archegonium results in the formation of zygote.
 - Zygote thereafter produces a multicellular well-differentiated sporophyte which is the dominant phase of the pteridophytes.

Your Personal Exams Guide

32. Answer: d

Explanation:

The correct answer is 1950-51.

★ Key Points

- The first Economic Survey of India was presented in 1950–51.
- Economic Survey is a report of the government on the state of the economy of the country during the last one year.

- It is prepared by the Department of Economic Affairs , under the Ministry of Finance.
- Chief Economic Advisor releases the Economic Survey.

★ Additional Information

- At first, it was released along with the Union Budget but later it was separated from the budget in 1964 to give a better understanding of the budget proposals.
- It is released one day before the Union Budget.
- Now it is presented in 2 volumes.
- It has no constitutional backing . Its findings and suggestions are not binding on the government.
- First Chief Economic Advisor to the government was Mr. J.J. Anjaria.
- The current Chief Economic Advisor is Krishnamurthy Subramanian.

33. Answer: c

Explanation:

The correct answer is Thomas Alva Edison.

★ Key Points

- **Thomas Alva Edison** was an American inventor and businessman, who has been described as America's greatest inventor.
- He developed many devices that greatly influenced life around the world, including the phonograph, the motion picture camera, and the long-lasting, **practical electric light bulb**.

★ Additional Information

- **Albert Einstein** was a German-born theoretical physicist, widely acknowledged to be one of the greatest and most influential physicists of all time. Einstein is best known for developing the **theory of relativity**.

- **Sir Isaac Newton** was an English mathematician, physicist, astronomer, alchemist, theologian, and author, widely recognised as one of the greatest **mathematicians and physicists** of all time and among the most influential scientists.
- **Alexander Graham Bell** was a Scottish-born inventor, scientist and engineer who is credited with patenting the **first practical telephone**.

34. Answer: c

Explanation:

The correct answer is He was 18 years old when he ascended the throne.

★ Key Points

- Babur, the first Mughal emperor (1526- 1530), succeeded to the throne of Ferghana in 1494 when **he was only 12 years old**.
 - **Hence statement 3 is incorrect.**
- He was forced to leave his ancestral throne due to the invasion of another Mongol group, the Uzbegs .
- After years of wandering he seized Kabul in 1504 .
- In 1526 he defeated the Sultan of Delhi, Ibrahim Lodi, at Panipat and captured Delhi and Agra.

★ Additional Information

- Babur:
 - He is the founder of the Mughal Empire.
 - He fought the first Battle of Panipat in 1526 with Ibrahim Lodhi and laid the foundation of the Mughal Empire.
 - His autobiography Tuzuk-i-Babri was written in the Turkish Language.
 - In 1527 his general Mir Baki built Babri Masjid.
 - He died in 1530.
- Humayun:
 - He was the son of Babur.
 - He was a mathematician and astronomer.

- His autobiography Humayunama was written by his sister Gulbadan Begum.
- Akbar:
 - He was born in 1542 at Amarkot.
 - He fought the second battle of Panipat in 1556 with Hemu and he defeated Hemu.
 - He abolished the religious tax Jizya.
 - He founded a new religion "Din-i- illahi".
 - His autobiography was written by Abul Fazal " Ain-i-Akbari".
- Jahangir:
 - His childhood name was Salim.
 - He executed the fifth guru of Sikh Arjun Dev.
 - His period was the golden age of painting.
- Shah Jahan
 - His period was the golden age of architecture.
 - He built the Taj Mahal in memory of his wife Mumtaz Mahal.
- Aurangzeb:
 - He was an accomplished Veena Player.
 - He executed the 9th Sikh Guru Tej Bahadur.
 - He adopted the name of Alamgir.
 - He abolished the Persian Festival "Navroj".
- Bahadur Shah
 - He was the last ruler of the Mughal Empire.
 - He led the Delhi in 1857 revolt.

35. Answer: b

Explanation:

The correct answer is Muscat.

★ Key Points

- The IPL 2020 is slated to be played from September 19–November 10 in the UAE across three venues:

- Dubai,
- Abu Dhabi, and
- Sharjah.
- Mumbai Indians won the Indian Premier League (IPL), in 2020.
- The final match was played between Mumbai Indians and Delhi Capitals.

★ Additional Information

- IPL 2020 was the 13th edition of India's premier T20 league.
 - Indian Premier League was conceptualized after India's landmark victory in the maiden ICC WT20 in 2007.
 - The league came into existence in 2008 with 8 franchises.
 - IPL has been a great platform for young talent to showcase their skills and rub shoulders with the best players in the world.

36. Answer: c

Explanation:

The correct answer is Radical group.

★ Key Points

- Lala Lajpat Rai, a nationalist from Punjab, was a member of the Radical group.
- Lala Lajpat Rai, Bal Gangadhar Tilak, and Bipin Chandra Pal were the three important leaders of the Radical Nationalists group.
- The Radical Reform Organization was a lobbying group inside the Liberal Party that was founded in 1952 to promote social liberalism and Keynesian economics.

★ Additional Information

- Lala Lajpat Rai
 - He founded the National School at Lahore .
 - He presided over the AITUC in 1920 AD.

- He boycotted the Simon Commission and demonstrated against it at Lahore, during which he was brutally assaulted by the police and he subsequently succumbed to his injuries.
- He was called the Sher-e-Punjab (Lion of Punjab) .
- He was inspired by Mahatma Hansraj.
- He was the President of the special session of the Congress at Calcutta, 1920 AD .
- He opposed the withdrawal of the Non-Cooperation Movement in 1922 AD.
- He founded Swaraj Party with Motilal Nehru and C.R. Das.
- He was the editor of Bande Matram, Punjab and The People .

37. Answer: c

Explanation:

The correct answer is Siddhartha Mukherjee.

★ Key Points

- **Siddhartha Mukherjee** was one of the Indian winners of the Great Immigrants of the Year 2020 award given by the US.
- Indian American Pulitzer Prize-winning physician author, **Siddhartha Mukherjee** and Harvard economist Raj Chetty, among 38 US citizens in Carnegie Corporation of New York's 2020 list of 'great immigrants' for their role in **combating the COVID-19 pandemic**.
- Siddhartha Mukherjee has been honoured for using "his communication skills to educate the public and create awareness about COVID-19 through forums and his widely read essays".
 - He won the Pulitzer Prize in 2011 for his book 'The Emperor of All Maladies: A Biography of Cancer'.
 - He received Padma Shri in 2014.

★ Additional Information

- Great Immigrants: The Pride of America

- Every Fourth of July since 2006, Carnegie Corporation of New York has celebrated the exemplary contributions of immigrants to American life.
- The Great Immigrants initiative is a tribute to the legacy of Andrew Carnegie , a Scottish immigrant who rose from poverty to become a leading industrialist.
- Carnegie founded more than 20 philanthropic organizations, including the Corporation, a grantmaking foundation established in 1911 to advance the causes of democracy, education, and international peace.

38. Answer: c

Explanation:

The correct answer is 'Hand of God' goal.

★ Key Points

- **Diego Maradona**, the Argentine soccer player who passed away on 25 Nov 2020, is fondly remembered for one memorable goal known as **'Hand of God' goal**.
- He was known for the "Hand of God" goal in which, during the 1986 World Cup quarterfinals , he punched the ball into England's net.
- Diego Armando Maradona was born on 30 October 1960 .
- He was an Argentine professional football player and manager.
- He was one of the two joint winners of the FIFA Player of the 20th Century award.
- He was also called "El Pibe de Oro" ("The Golden Boy") .

★ Additional Information

- About Football
 - Football is the world's most popular ball game in terms of the number of participants and spectators.
 - Football, also called Association Football or Soccer, is a game in which two teams of 11 players , using any part of their bodies except their hands and arms, try to manoeuvre the ball into the opposing team's goal.

- Only the goalkeeper is permitted to handle the ball and may do so only within the penalty area surrounding the goal.
-

39. Answer: a

Explanation:

The correct answer is Odisha.

★ Key Points

- The Similipal Biosphere Reserve is located in the Mayurbhanj district of Odisha.
- With a reserve forest area of over 2750 sq km, Similipal Wildlife Sanctuary is one of the biggest in the country.
- Housing a variety of wild animals, including Royal Bengal Tigers, 304 species of birds and plants, the sanctuary is extremely rich in biodiversity.
- The core area of Similipal Tiger Reserve extends up to 1194 sq km and the buffer area measures 1555 sq km.

★ Additional Information

Your Personal Exams Guide

National Park	State
Nagarhole National Park Bannerghatta Biological Park	Karnataka
Guindy National Park	Tamil Nadu
Neora Valley National Park	West Bengal
Rani Jhansi Marine National Park	Andaman and Nicobar
Kugti National Park Great Himalayan National Park	Himachal Pradesh
Silent Valley National Park	Kerala
Kanger Ghati National Park	Chattisgarh
Kasu Brahmananda Reddy (KBR) National Park	Hyderabad, Telangana
Ntangki National Park	Nagaland
Mahatma Gandhi National Marine Park	Port Blair, Andaman and Nicobar

40. Answer: d

Explanation:

The correct answer is Foreign Policy of India.

★ Key Points

- The theory of Panchsheel/Concept of Panchsheel was given by Pt. Jawahar Lal Nehru.

- The Panchsheel Agreement is also known as the Five Principles of Coexistence .
- It contains a set of principles to govern relations between states .
- The Panchseel agreement was signed between Prime Minister Jawaharlal Nehru and China's first Premier Zhou Enlai .
- The principles were first codified during an agreement between India and China in 1954 .
- The principles were emphasized by Pt. Jawahar Lal Nehru in a speech at the Asian Prime Ministers conference at Columbo .

★ Additional Information

- The five principles of the agreement are
 - mutual respect for each other's territorial integrity and sovereignty,
 - mutual non-aggression,
 - non-interference in other's internal affairs,
 - equality, peace, and
 - mutual benefit .
- It was presented by India, Yugoslavia, and Sweden at the United Nations General Assembly on 11 December 1957.

41. Answer: d

Explanation:

The correct answer is Andaman Nicobar.

★ Key Points

- 'Dugong' as the state animal of Andaman Nicobar.
- Dugongs are mammals, which means they give birth to live young and then produce milk and nurse them.
- It is the flagship animal of **Gulf of Mannar Marine National Park**.
- Once the female is pregnant, she will carry the unborn baby, called a foetus for 12-14 months before giving birth.

★ Additional Information

The list of all Indian States and their State Animals:

Prepp

Your Personal Exams Guide

States Names	State Animal Name
Andhra Pradesh	Blackbuck
Arunachal Pradesh	Mithun
Assam	Indian One-horned Rhino
Bihar	Gaur
Chhattisgarh	Wild Buffalo
Goa	Gaur
Gujarat	Asiatic Lion
Haryana	Blackbuck
Himachal Pradesh	Snow Leopard
Jharkhand	Elephant
Karnataka	Elephant
Kerala	Elephant
Madhya Pradesh	Swamp Deer (Barasingha)
Maharashtra	Giant Squirrel
Manipur	Sangai
Meghalaya	Clouded Leopard
Mizoram	Serow
Nagaland	Mithun
Odisha	Sambhar deer
Punjab	Blackbuck
Rajasthan	Chinkara

States Names	State Animal Name
Sikkim	Red Panda
Tamil Nadu	Nilgiri Tahr
Telangana	Spotted Deer (Jinka)
Tripura	Phayre's Langur
Uttarakhand	Musk Deer
Uttar Pradesh	Swamp Deer (Barasingha)
West Bengal	Fishing cat

42. Answer: d

Explanation:

The correct answer is Punjab.

★ Key Points

- Union Minister of Youth Affairs and Sports Shri Kiren Rijiju virtually inaugurated Sports Authority of India's (SAI) new **Regional Centre in Zirakpur, Punjab**, which will now act as one of the main SAI centres for the northern belt of India.
- It is **11th Regional Centre of the Sports Authority of India**.
- The Zirakpur Regional Centre's administrative block has been built by the Central Public Works Department (CPWD)

★ Additional Information

10 SAI Regional Centres (SRC)s

- SAI Netaji Subhas Regional Centre, Chandigarh
- SAI Chaudhary Devi Lal Northern Regional Centre, Sonapat, Haryana
- SAI Netaji Subhas Regional Centre, Lucknow, Uttar Pradesh
- SAI Netaji Subhas North-East Regional Centre, Guwahati, Assam
- SAI Netaji Subhas North-East Regional Centre, Imphal, Manipur
- SAI Netaji Subhas Eastern Centre, Kolkata, West Bengal

- SAI Udhav Das Mehta Bhaiji Central Centre, Bhopal, Madhya Pradesh
- SAI Netaji Subhas Southern Centre, Bengaluru, Karnataka
- SAI Regional Centre, Mumbai, Maharashtra
- SAI Netaji Subhas Western Centre, Gandhinagar, Gujarat

43. Answer: a

Explanation:

The correct answer is President.

★ Key Points

- Every bill after being passed by the houses of parliament, either singly or in a joint sitting, is presented to the **President for his assent**.
- Legislative Powers of President:
 - He summons or prorogues Parliament and dissolve the Lok Sabha.
 - He summons a joint sitting of Lok Sabha and Rajya Sabha in case of deadlock.
 - He addresses the Indian Parliament at the commencement of the first session after every general election.
 - He appoints a speaker, deputy speaker of Lok Sabha, and chairman/deputy chairman of Rajya Sabha when the seats fall vacant.

★ Additional Information

- Executive Powers:
 - As the Executive Head of the State , the President enjoys many executive powers.
 - All the actions and decisions of the Government are taken in the name of the President.
 - He appoints the attorney general of India and determines his remuneration.
 - He appoints the following people:
 - Comptroller and Auditor General of India (CAG)
 - Chief Election Commissioner and other Election Commissioners

- Chairman and members of the Union Public Service Commission
- State Governors
- Finance Commission of India chairman and members

44. Answer: d

Explanation:

The correct answer is Repo rate.

★ Key Points

- Monetary Policy has Direct Instruments and Indirect Instruments .
- Direct Instruments
 - CRR, SLR, and Refinance facilities.
- Indirect Instruments
 - LAF, OMO, MSF, and Repo/Reverse Rate.
- Repo rate
 - It is the rate at which the RBI lends money to the commercial banks for a short term period with a repurchase agreement.
 - RBI buys securities from the banks and thereby provides funds.

★ Additional Information

- CRR (Cash Reserve Ratio)
 - It is the share of NDTL (net demand and time liabilities) that banks must maintain in the form of cash with the RBI.
- LAF (Liquidity Adjustment Facility) -
 - It is the tool used by the RBI that allows banks to borrow money through repo agreements or for banks to make loans to the RBI through reverse repo agreements.
 - It consists of daily infusion or absorption of liquidity using government securities as collateral.
- OMO (Open Market Operations)
 - Outright sale/purchase of government securities takes place in the open market so as to infuse or absorb the liquidity.

- This tool helps to determine the level of liquidity over the medium term.

45. Answer: b

Explanation:

The correct answer is Zaid.

★ Key Points

- **Watermelon, muskmelon, Cucumber** is an example of zaid crop.
- Crops that are being raised throughout the year due to artificial irrigation are Zaid crops.
- Zaid Kharif: Sown in August–September and harvested in December–January. Important crops include rice, jowar, rapeseed, cotton and oilseeds.
- Zaid Rabi : Sown in February – March and harvested in April –May. Important crops are watermelon, cucumber, leafy and other vegetables.

★ Additional Information

- Kharif crops
 - Crops are sown at the beginning of the southwest monsoon and harvested at the end of the South -West monsoon.
 - Sown in June–July when rains first begin.
 - Harvested in September–October.
 - Requires a lot of water and hot weather to grow.
 - Important kharif crops: Jowar, bajra, rice, maize, cotton, Jute, groundnut, sugarcane, tobacco, etc.
- Rabi crops
 - Crops need a relatively cool climate during the period of growth but a warm climate during the germination of their seed and maturation.
 - Sown in October–November.
 - Harvested in April–May.
 - Important Rabi Crops: Wheat, barley, gram, linseed, mustard, Masur, peas, and potatoes.

46. Answer: d

Explanation:

The correct answer is Bull Strike.

★ Key Points

- A special tri-Service combat exercise called “Bull Strike” was conducted by the Andaman and Nicobar Command (ANC).
- The high-voltage exercise, with assets and manpower from the Army, Navy and IAF as well as Para-SF and marine commandos, was conducted from November 3 to 5, 2020.
- The combat manoeuvres included combat free-fall and para-drop from C-130J “Super Hercules” strategic airlift aircraft.

★ Additional Information

- **Andaman and Nicobar Islands** were formed due to the collision between the Indian Plate and Burma Minor Plate [part of Eurasian Plate][Similar to the formation of the Himalayas].
- Andaman and Nicobar Islands are a southward extension of the Arakan Yoma range [Myanmar][Arakan Yoma in itself is an extension of Purvanchal Hills].
- This archipelago is composed of 265 big and small islands [203 Andaman islands + 62 Nicobar Islands]

47. Answer: b

Explanation:

The correct answer is high temperature, high humidity and rainfall.

★ Key Points

- Rice crop needs a hot and humid climate .

- It is best suited to regions which have high humidity, prolonged sunshine and an assured supply of water .
- The average temperature required throughout the life period of the crop ranges from 21 to 37°C.
- Fertile riverine alluvial soil is best for rice cultivation.

★ **Additional Information**

- Rice is a staple food for the overwhelming majority of population in India.
- Though, it is considered to be a crop of tropical humid areas,
- It has about 3,000 varieties which are grown in different agro-climatic regions.
- In southern states and West Bengal the climatic conditions allow the cultivation of two or three crops of rice in an agricultural year.
- But in Himalayas and northwestern parts of the country, it is grown as a kharif crop during southwest Monsoon season.
- India contributes 22.07 per cent of rice production in the world and ranked second after China in 2018.
- West Bengal, Uttar Pradesh, and Punjab are the leading rice producing states in the country.

48. Answer: d

Explanation:

The correct answer is Lord Shiva.

★ **Key Points**

- The Shiva temple known as Rajarajeshwara is situated near Taliparamba in Kerala's Kannur district .
- The temple is one of the 108 old Shiva temples that still stand in ancient Kerala .
- It occupies a prominent position among South India's numerous Shiva temples .
- Among the temples of the era, it had the tallest shikhara .
- The top of the Rajarajeshwara temple weighs roughly 90 tonnes .

★ Additional Information

- The Hindu god Shiva has a temple named after him called the Rajarajeshvara temple .
- The temple, which was built during the Chola era under Rajaraja and is situated in Thanjavur in the south Indian state of Tamil Nadu , is well-known for its exquisite structure .
- As per Tamil Nadu Hindu Endowments Board , there are 38,615 temples .
 - Most of the largest Hindu temples reside here .
 - Studded with complex architecture , a variety of sculptures , and rich inscriptions , the temples remain the very essence of the culture and heritage of Tamil land with historical records dating back to at least 3,000 years .
 - Ex:- Karpaka Vinayakar Temple, Ucchi Pillayar Temple, Manakula Vinayagar Temple, Manimoortheeswaram Temple, Sri Poyyamozi Vinayagar Temple etc.

49. Answer: d

Explanation:

The correct answer is Gitagovinda - Jayadeva.

★ Key Points

- Gitagovindam
 - **Jayadev** is a Sanskrit poet who has attained immortal reputation through a single work.
 - He lived in the twelfth century and was the court-poet of Lakshmanasena .
 - His Gitagovindam finds no parallel in world literature, it has a place of pride in the Odissi dance repertoire.
 - Hence it is correctly matched.

★ Additional Information

- Rajatarangini :
 - It is an epic poem that was written in Sanskrit by *Kalhana* in the year 1148 .
 - It has nearly 8000 verses that are spread over eight books.
 - The book is an account of the many royal dynasties that ruled the ancient kingdom of Kashmir.
- Vikramankadevacharita :
 - It was written by *Bilhana* in honour of *Vikramaditya VI*.
 - The book is written in Sanskrit .
- Prithviraj Raso -
 - The " Prithviraj Raso" is a Braj Bhasha poem .
 - The poem is about the 12th-century Indian Rajput king *Prithviraj Chauhan*.
 - The poem is written by *Chand Bardai* .

50. Answer: d

Explanation:

The correct answer is Manipur.

★ Key Points

- Manipuri Dance is also known as *Jagoi* and is one of the major Indian classical dance forms.
- The ethnic majority of Meitei people call dance *Jagoi* and the traditional 'Lai Haraoba' festival is observed in the honor of *Sylvan deities*.
- The musical instrument used in this art form includes the *Pung* which is a barrel drum, harmonium, flute, *Ppna*, and stem bong.
- The language of text songs of Manipuri dance lyrics is varied including Sanskrit, Brij Bhasa, and Maithali.

★ Additional Information

- There are eight classical dances in India:
 - Bharatanatyam : Tamil Nadu
 - Mohiniyattam : Kerala

- Kathakali : Kerala
 - Kathak : North India (Uttar Pradesh)
 - Kuchipudi : Andhra Pradesh
 - Sattriya : Assam
 - Odissi : Odisha
 - Manipuri : Manipur
-

51. Answer: c

Explanation:

Given:

A person walking at a speed of 7.2 km/h and crosses a bridge in 25 minutes.

Concept used:

$$1\text{m/s} = 18/5 \text{ km/h}$$

$$\text{Time} \times \text{Speed} = \text{Distance}$$

$$1 \text{ minute} = 60 \text{ seconds}$$

Calculation:

$$7.2 \text{ km/h} = 7.2 \div 18/5 = 2 \text{ metres per second (m/s)}$$

$$25 \text{ minutes} = 25 \times 60 = 1500 \text{ seconds}$$

$$\text{Now, the length of the bridge} = 2 \times 1500 = 3000 \text{ metres}$$

∴ The length of the bridge is 3000 metres.

52. Answer: a

Explanation:

Given:

152 is divided into three parts such that one-fifth of the first part, one-third of the second part and one-eleventh of the third part are equal.

Calculation:

Let the three parts of 152 be P, Q, and R.

According to the question,

$$P/5 = Q/3 = R/11$$

$$\Rightarrow P/5 = Q/3 = R/11 = K \text{ (let)}$$

$$\text{So, } P = 5K, Q = 3K \text{ and } R = 11K$$

According to the question,

$$5K + 3K + 11K = 152$$

$$\Rightarrow 19K = 152$$

$$\Rightarrow K = 152/19$$

$$\Rightarrow K = 8$$

Sum of the second and the third part = P + Q

$$\Rightarrow 3K + 11K$$

$$\Rightarrow 14 \times 8 = 112$$

\therefore The sum of the second and the third part is 112.

53. Answer: b

Explanation:

Given:

A certain sum of money amounts to Rs. 12,144 at simple interest in 4 years and to Rs. 13,984 in $6\frac{1}{2}$ years.

Concept used:

$$\text{Simple Interest, SI} = (P \times R \times T)/100$$

$$\text{Amount} = P + \text{SI}$$

where

P = Principal amount

R = Rate of interest per year

Calculation:

$$\text{Interest incurred in } (6.5 - 4) \text{ i.e. 2.5 years} = 13984 - 12144 = \text{Rs. 1840}$$

$$\text{Interest per year} = 1840/2.5 = \text{Rs. 736}$$

$$\text{Interest in 4 years} = 4 \times 736 = \text{Rs. 2944}$$

$$\text{Principal amount} = 12144 - 2944 = \text{Rs. 9200}$$

Let the rate of interest be R% per annum.

According to the concept,

$$(9200 \times R \times 4)/100 = 2944$$

$$\Rightarrow R = 294400/(9200 \times 4)$$

$$\Rightarrow R = 8$$

\therefore The rate of interest is 8% per annum.

54. Answer: d

Explanation:

Given:

24, 40 and 48

Concept used:

LCM is the smallest common multiple of two or more numbers.

Calculation:

$$\text{LCM}(24, 40, 48) = 240$$

Greatest four-digit number = 9999

$$\text{Quotient when 9999 is divided by 240} = 9999/240 = 41.6625$$

Now, The greatest four-digit number which is divisible by 24, 40, and 48 = 41×240

$$\Rightarrow 9840$$

\therefore The greatest four-digit number which is divisible by 24, 40, and 48 is 9840.

55. Answer: a

Explanation:

Given:

From a basket full of eggs, 20% of the eggs broke, 8% were rotten and 24% were kept aside for baking a cake.

The remaining 12 eggs were consumed by some people.

Calculation:

Let there be 100m eggs in the first place.

$$\text{Number of broken eggs} = 100m \times 20\% = 20m$$

$$\text{Number of rotten eggs} = 100m \times 8\% = 8m$$

$$\text{Number of eggs kept aside} = 100m \times 24\% = 24m$$

According to the question,

$$20m + 8m + 24m + 12 = 100m$$

$$\Rightarrow 100m - 24m - 8m - 20m = 12$$

$$\Rightarrow 48m = 12$$

$$\Rightarrow m = 12/48$$

$$\Rightarrow m = 0.25$$

Now, the number of egg in the first place = $100 \times 0.25 = 25$

\therefore 25 eggs were there in the basket initially.

56. Answer: b

Explanation:

Given:

Third proportional to 18, 12.

Concept used:

$$\text{If } A : B :: C : D \text{ then } (B \times C) = (A \times D)$$

Calculation:

Let the third proportional be m.

$$\text{So, the proportion} = 18 : 12 :: 12 : m$$

According to the concept,

$$18 \times m = 12 \times 12$$

$$\Rightarrow 18 \times m = 144$$

$$\Rightarrow m = 144/18$$

$$\Rightarrow m = 8$$

\therefore The third proportion is 8.

57. Answer: b

Explanation:

Given:

The average of 48 numbers is 48.

It was found later that observation 48 was wrongly taken as 84 at two places.

Concept used:

Total = Average \times Number of entities

Calculation:

Sum of 48 numbers when taken wrongly = $48 \times 48 = 2304$

Sum of 48 numbers when taken correctly = $2304 - 84 \times 2 + 48 \times 2$

$$\Rightarrow 2232$$

Now, the correct average of 48 numbers = $2232/48 = 46.5$

\therefore The correct average is 46.5.

58. Answer: b

Explanation:

Given:

$$\frac{9 \div \{5 - 5 \div (6 - 7) \times 8 + 9\}}{4 + 4 \times 4 \div 4 \text{ of } 4}$$

Concept used:

B	Brackets in order (), {}, []	ब्रैकेट (), {}, [] क्रम में
O	of	का
D	Division (÷)	विभाजन (÷)
M	Multiplication (×)	गुणा (×)
A	Addition (+)	जोड़ (+)
S	Subtraction (-)	घटाव (-)

Calculation:

$$\frac{9 \div \{5 - 5 \div (6 - 7) \times 8 + 9\}}{4 + 4 \times 4 \div 4 \text{ of } 4}$$

$$\Rightarrow \frac{9 \div \{5 - 5 \div (6 - 7) \times 8 + 9\}}{4 + 4 \times 4 \div 16}$$

$$\Rightarrow \frac{9 \div \{5 - 5 \div (-1) \times 8 + 9\}}{4 + 4 \times 4 \div 16}$$

$$\Rightarrow \frac{9 \div \{5 - (-5) \times 8 + 9\}}{4 + 4 \times 0.25}$$

$$\Rightarrow \frac{9 \div \{5 + 40 + 9\}}{4 + 4 \times 0.25}$$

$$\Rightarrow \frac{9 \div \{54\}}{4 + 1}$$

$$\Rightarrow \frac{1}{5}$$

$$\Rightarrow \frac{1}{30}$$

∴ The simplified value is $\frac{1}{30}$.

59. Answer: c

Explanation:

Given:

Pipe A is a filling pipe while B and C are emptying pipes.

Pipe A alone can fill the tank in 10 hours and pipe B alone can empty two-third part of the tank in 20 hours.

All the pipes are opened together, the tank is completely filled in 40 hours.

Concept used:

Total work = Efficiency (Work done per hour) × Total time taken

Calculation:

B alone can empty two-third part of the tank in 20 hours.

So, B alone can complete empty the tank in = $20 \div \frac{2}{3} = 30$ hours

LCM (20, 30) = 60

Let the capacity of the tank be 60 units.

Let pipe C empties the tank at N units per hour rate.

A hourly fills the tank by = $60/10 = 6$ units

B hourly empties the tank by = $60/30 = 2$ units

According to the question,

$$(6 - 2 - N) \times 40 = 60$$

$$\Rightarrow (4 - N) \times 2 = 3$$

$$\Rightarrow 8 - 2N = 3$$

$$\Rightarrow 2N = 5$$

$$\Rightarrow N = \frac{5}{2}$$

Now, C alone can empty two-third part of the tank in

$$\Rightarrow (60 \times \frac{2}{3}) \div \frac{5}{2}$$

\Rightarrow 16 hours

\therefore C alone can empty two-third part of the tank in 16 hours.

60. Answer: a

Explanation:

Given:

The incomes of A and B are in the ratio 5 : 7.

The expenditure of A is equal to the savings of B.

The total expenditure of A and B is Rs. 15,750.

Concept used:

$$\text{Income} = \text{Expenditure} + \text{Savings}$$

Calculation:

Let the incomes of A and B be $5p$ and $7p$ respectively and A's expenditure be m .

$$\text{B's expenditure} = (1570 - m)$$

$$\text{B's savings} = m$$

$$\text{A's savings} = 5p - m$$

$$\text{Total savings of them} = 5p - m + m = 5p$$

According to the question,

$$7p - (15750 - m) = m$$

$$\Rightarrow 7p - 15750 + m = m$$

$$\Rightarrow 7p = 15750$$

$$\Rightarrow p = 15750/7$$

$$\Rightarrow p = 2250$$

Now, their total savings = 5×2250

$$\Rightarrow \text{Rs. } 11,250$$

\therefore Their total savings is Rs. 11,250.

61. Answer: a

Explanation:

Given:

A trader earns a profit of 30% by selling an article X and loses 16% by selling another article Y.

The ratio of the cost prices of X and Y is 3 : 4.

Concept used:

$$\text{Profit\%} = \frac{\text{Profit}}{\text{Cost Price}} \times 100\%$$

$$\text{Selling Price} = \text{Cost Price} - \text{Cost Price} \times \text{Loss\%}$$

$$\text{Selling Price} = \text{Cost Price} + \text{Cost Price} \times \text{Gain\%}$$

Calculation:

Let the cost price of X and Y be Rs. 300 and Rs. 400.

$$\text{Total cost price} = 300 + 400 = \text{Rs. } 700$$

$$\text{Selling price of X} = 300 + 300 \times 30\% = \text{Rs. } 390$$

Selling price of Y = $400 - 400 \times 16\% = \text{Rs. } 336$

Total selling price = $390 + 336 = \text{Rs. } 726$

Gain made = $726 - 700 = \text{Rs. } 26$

Now, gain% in the entire transaction = $\frac{26}{700} \times 100\% \approx 3.7\%$

\therefore The gain in the entire transaction is **3.7%**.

62. Answer: d

Explanation:

Given:

The marked price of an item is Rs. 800.

The shopkeeper offers two discounts, one of 10% and another of 5% on the item.

Concept used:

Final discount percentage after two successive discounts of A% and B% = $(A + B - \frac{AB}{100})\%$

Selling price = Marked Price - Marked Price \times Discount%

Calculation:

Final discount percentage = $(10 + 5 - \frac{10 \times 5}{100})\% = 14.5\%$

Now, the selling price of the item = $800 - 800 \times 14.5\%$

$\Rightarrow 800 - 116$

$\Rightarrow \text{Rs. } 684$

\therefore The selling price of the item is Rs. 684.

63. Answer: a

Explanation:

Given:

15 persons begin to work together on a job, but after some days 6 persons leave.

As a result, the job which could have been completed in 42 days is completed in 54 days.

Concept used:

Total work = Efficiency of each worker × Number of Hours × Number of days to finish
× Number of total workers

Calculation:

Let the efficiency of each person be M and let after N days 6 persons left.

$$\text{Total work} = 15 \times M \times 42 = 630M \text{ units}$$

$$\text{Remaning persons} = 15 - 6 = 9$$

$$\text{Remaining work} = 630M - (15 \times M \times N)$$

$$9 \text{ persons worked for } = (54 - N) \text{ days}$$

According to the question,

$$630M - (15 \times M \times N) = 9 \times M \times (54 - N)$$

$$\Rightarrow 630 - 15N = 9(54 - N)$$

$$\Rightarrow 630 - 15N = 486 - 9N$$

$$\Rightarrow 15N - 9N = 630 - 486$$

$$\Rightarrow 6N = 144$$

$$\Rightarrow N = 144/6$$

$$\Rightarrow N = 24$$

\therefore 24 d days of the commencement of the work 6 persons left.

64. Answer: b

Explanation:

Given:

The amount obtained by investing a sum of Rs. 15,000 at 8% p.a. in a certain time is Rs. 17,496, interest compounded annually.

Concept used:

In case of the compound interest,

$$\text{Amount} = P(1 + R/100)^N$$

$$\text{CI} = P(1 + R/100)^N - P$$

where

P = Principal amount

R = Rate of interest per year

N = Time in years

Calculation:

Let the money be invested for N years.

According to the question,

$$15000(1 + 8/100)^N = 17496$$

$$\Rightarrow 1.08^N = 17496/15000$$

$$\Rightarrow 1.08^N = 1.1664$$

$$\Rightarrow 1.08 N = 1.08^2$$

$$\Rightarrow N = 2$$

2 years = 24 months

When interest compounded 8-monthly, $N = 24/8 = 3$

When interest compounded 8-monthly, rate of interest = $15 \times 8/12 = 10\%$

Now, the amount will be

$$\Rightarrow 15000(1 + 10/100)^3$$

$$\Rightarrow \text{Rs. } 19965$$

\therefore The amount of the same sum at 15% p.a. for the same time, interest compounded 8-monthly will become Rs. 19,965.

65. Answer: a

Explanation:

Given:

Amarnath invested a sum of Rs. 22,500.

Time = 4 years

Amount becomes = Rs. 28800

Concept used:

Simple Interest, $SI = (P \times R \times T)/100$

Amount = $P + SI$

where

P = Principal amount

R = Rate of interest per year

T = Time in years

Calculation:

Let the rate of interest be R%.

According to the question,

$$22500 + (22500 \times R \times 4)/100 = 28800$$

$$\Rightarrow (22500 \times R)/25 = 28800 - 22500$$

$$\Rightarrow (900 \times R) = 6300$$

$$\Rightarrow R = 6300/900$$

$$\Rightarrow R = 7$$

∴ At 7% rate of simple interest per annum he will obtain a total amount of Rs. 28,800 at the end of 4 years.

66. Answer: a

Explanation:

Given:

A motor boat covers a distance of 24 km upstream in one hour more than the time taken to cover the same distance downstream

Speed of the current = 2 km/h

Concept used:

While rowing upstream, the upstream speed is the difference between the speed of the boat in still water and the speed of the flow.

While rowing downstream, the downstream speed is the addition of the speed of the boat in still water and the speed of the flow.

Distance = Speed \times Time

$$(A + B)(A - B) = A^2 - B^2$$

Calculation:

Let the speed of the boat be S km/h.

Upstream speed = (S - 2) km/h

Downstream speed = (S + 2) km/h

According to the question,

$$24/(S - 2) - 24/(S + 2) = 1$$

$$\Rightarrow 1/(S - 2) - 1/(S + 2) = 1/24$$

$$\Rightarrow \frac{S+2-S-2}{(S-2)(S+2)} = 1/24$$

$$\Rightarrow \frac{4}{(S^2-2^2)} = 1/24$$

$$\Rightarrow S^2 - 2^2 = 24 \times 4$$

$$\Rightarrow S^2 = 24 \times 4 + 2^2$$

$$\Rightarrow S^2 = 100$$

$$\Rightarrow S = 10 (\because \text{Speed can't be negative})$$

Now, the upstream speed = 10 - 2 = 8 km/h

\therefore The upstream speed of the boat is 8 km/h.

67. Answer: d

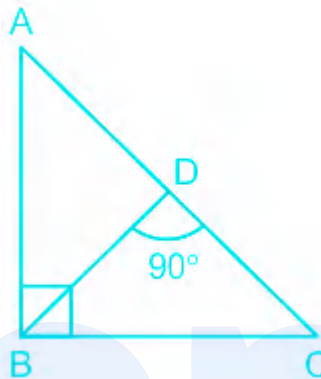
Explanation:

Given:

In a right-angled triangle, the right angle is contained between the sides with lengths of 14 cm and 48 cm.

It is made to revolve around the longer side.

Concept used:



ΔABC is a right-angled triangle at B.

Now, According to the Pythagoras Theorem,

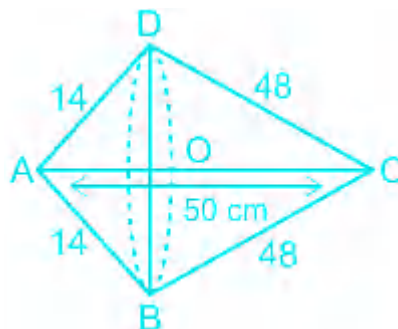
$$AC^2 = AB^2 + BC^2$$

BD is perpendicular to AC. So, $BD \times AC = AB \times BC$

$$\text{Volume of cone} = \frac{(\pi R^2 H)}{3}$$

where R = Radius of base and H = Height

Calculation:



Let ΔABC be the aforementioned right-angled triangle at B.

Here, $AB = 14$ and $BC = 48$

So, applying Pythagoras Theorem, $AC = \sqrt{14^2 + 48^2} = 50$ cm

In ΔABC , BF is perpendicular to Hypotenuse AC .

We know,

$$BF \times AC = AB \times BC$$

$$\Rightarrow BF \times 50 = 14 \times 48$$

$$\Rightarrow BF = (14 \times 48)/50$$

$$\Rightarrow BF = 13.44$$

Now, ΔABC is revolved around the Hypotenuse AC .

So, two cones ABD and BCD are formed.

In the case of cone ABD ,

Radius of base = 13.44 cm

Height = AF

So, the volume of the cone $ABD = (\pi \times 13.44^2 \times AF)/3$

In the case of cone BCD ,

Radius of base = 13.44 cm

Height = CF

So, the volume of the cone $BCD = (\pi \times 13.44^2 \times CF)/3$

Now, the volume of the solid so formed

$$\Rightarrow (\pi \times 13.44^2 \times AF)/3 + (\pi \times 13.44^2 \times CF)/3$$

$$\Rightarrow \{(\pi \times 13.44^2) \times (AF + CF)\} / 3$$

$$\Rightarrow \{(\pi \times 13.44^2) \times AC\} / 3$$

$$\Rightarrow \{(\pi \times 13.44^2) \times 50\} / 3$$

$$\Rightarrow 9461.76 \approx 9462 \text{ cm}^3$$

\therefore The volume of the solid so formed is 9462 cm³.

68. Answer: c

Explanation:

Given:

The average weight of a certain number of children in a group was 31 kg.

11 children of average weight 32.5 kg joined the group, then the average weight of all the children would increase by 0.25 kg.

Concept used:

Total = Average \times Number of entities

Calculation:

Let there be N number of children initially.

The total initial sum of their weight = 31N kg

Total weight of 11 new joiners children = 32.5 \times 11 = 357.5 kg

According to the question,

$$31N + 357.5 = (N + 11) \times (31 + 0.25)$$

$$\Rightarrow 31N + 357.5 = (N + 11) \times 31.25$$

$$\Rightarrow 31N + 357.5 = 31.25N + 343.75$$

$$\Rightarrow 357.5 - 343.75 = 31.25N - 31N$$

$$\Rightarrow 0.25N = 13.75$$

$$\Rightarrow N = 13.75/0.25$$

$$\Rightarrow N = 55$$

\therefore The number of children initially in the group was 55.

69. Answer: d

Explanation:

Given:

The marked price of an item is Rs. 15,800.

The shopkeeper earns a profit of 18% after allowing a discount of 20%.

Concept used:

$$\text{Selling price} = \text{Marked Price} - \text{Marked Price} \times \text{Discount\%}$$

$$\text{Selling Price} = \text{Cost Price} + \text{Cost Price} \times \text{Gain\%}$$

Calculation:

$$\text{Selling price of the item} = 15800 - 15800 \times 20\% = \text{Rs. } 12640$$

Let the cost price of the item be P.

According to the question,

$$P + P \times 18\% = 12640$$

$$\Rightarrow 1.18P = 12640$$

$$\Rightarrow P = 12640/1.18$$

$$\Rightarrow P = 10711.86$$

$$\Rightarrow P \approx 10712$$

\therefore The cost price of the item is Rs. 10,712.

70. Answer: d

Explanation:

Given:

The volume of a right circular cylinder = 8448 cm³

$$\text{Curved surface area} = \frac{1}{8} \times 8448 = 1056 \text{ cm}^2$$

Concept used:

$$\text{Volume of a cylinder} = \pi R^2 H$$

$$\text{Curved surface area of a cylinder} = 2\pi R h$$

where R = Radius of the base, h = height

Calculation:

Let the radius of the base and height of the cylinder be r and h respectively.

According to the question,

$$\text{Curved surface area} = 1056$$

$$\Rightarrow 2\pi r h = 1056$$

$$\Rightarrow \pi r h = 1056/2$$

$$\Rightarrow \pi r h = 528 \quad \dots(1)$$

$$\text{Volume of cylinder} = 8448$$

$$\Rightarrow \pi r^2 h = 8448$$

$$\Rightarrow \pi r h \times r = 8448$$

$$\Rightarrow 528 \times r = 8448 \text{ (From 1)}$$

$$\Rightarrow r = 8448/528$$

$$\Rightarrow r = 16$$

Putting $r = 16$ in equation (1),

$$\pi \times 16 \times h = 528$$

$$\Rightarrow \frac{22}{7} \times 16 \times h = 528$$

$$\Rightarrow h = (528 \times 7)/(22 \times 16)$$

$$\Rightarrow h = 10.5$$

\therefore The height of the cylinder is 10.5 cm.

71. **Answer: a**

Explanation:

Given:

$$3 + \left(1 + \frac{1}{2} - \{3 - (8 \div 2)\} + \frac{1}{3} + \frac{2}{5}\right)$$

Concept used:

B	Brackets in order {}, {}, []	ब्रैकेट {}, {}, [] क्रम में
O	of	का
D	Division (÷)	विभाजन (÷)
M	Multiplication (×)	गुणा (×)
A	Addition (+)	जोड़ (+)
S	Subtraction (-)	घटाव (-)

Calculation:

$$3 + \left(1 + \frac{1}{2} - \{3 - (8 \div 2)\} + \frac{1}{3} + \frac{2}{5}\right)$$

$$\Rightarrow 3 + \left(1 + \frac{1}{2} - \{3 - 4\} + \frac{1}{3} + \frac{2}{5}\right)$$

$$\Rightarrow 3 + \left(1 + \frac{1}{2} + 1 + \frac{1}{3} + \frac{2}{5}\right)$$

$$\Rightarrow 3 + \frac{30+15+30+10+12}{30}$$

$$\Rightarrow 3 + \frac{97}{30}$$

$$\Rightarrow \frac{(90+97)}{30}$$

$$\Rightarrow \frac{187}{30}$$

∴ The simplified answer is $\frac{187}{30}$.

72. Answer: b

Explanation:

Given:

In a college election, the winning secretarial candidate got 69% of the votes and won 342 votes more than his rival.

Concept used:

Total number of votes cast = Total number of students in the college

Calculation:

Considering the total votes to be 100%.

The candidate who lost got = $100 - 69 = 31\%$ of total votes

Difference between the candidates in votes in terms of percentage = $69 - 31 = 38\%$

According to the question,

$$38\% \times \text{Total votes} = 342$$

$$\Rightarrow \text{Total votes} = 342/38\%$$

$$\Rightarrow \text{Total votes} = 342/0.38$$

$$\Rightarrow \text{Total votes} = 900$$

\therefore The total number of students in the college is 900.

73. Answer: d

Your Personal Exams Guide

Explanation:

Given:

The profit made by selling an article for Rs. 12,400 is equal to the loss incurred on selling the same article at Rs. 10,600.

Concept used:

Loss = Cost price - Selling price

Profit = Selling price - Cost price

$$\text{Profit}\% = \frac{(\text{Selling Price} - \text{Cost Price})}{\text{Cost Price}} \times 100\%$$

Calculation:

Let the cost price of the article be R.

According to the question,

$$12400 - R = R - 10600$$

$$\Rightarrow 2R = 12400 + 10600$$

$$\Rightarrow R = 23000/2$$

$$\Rightarrow R = 11500$$

$$\text{Now, the profit\%} = \frac{14950 - 11500}{11500} \times 100\%$$

$$\Rightarrow \frac{3450}{11500} \times 100\%$$

$$\Rightarrow 0.3 \times 100\% = 30\%$$

\therefore The profit percent if it is sold for Rs. 14,950 is 30%.

74. Answer: b

Explanation:

Given:

The retail price of a table is Rs. 900 and the gain percentages of the manufacturer, the wholesale dealer and the retailer are 8%, 10% and 20%, respectively.

Concept used:

$$\text{Selling Price} = \text{Cost Price} + \text{Cost Price} \times \text{Gain\%}$$

Calculation:

Let the cost of production of the table be p.

$$\text{Manufacturer price} = p + p \times 8\% = 1.08p$$

$$\text{Wholesale price} = 1.08p + 1.08p \times 10\% = 1.188p$$

$$\text{Retailer price} = 1.188p + 1.188 \times 20\% = 1.4256p$$

According to the question,

$$1.4256p = 900$$

$$\Rightarrow p = 900/1.4256$$

$$\Rightarrow p \approx 631.31$$

$$\Rightarrow p \approx 631$$

\therefore The cost of production of the table is Rs. 631.

75. Answer: c

Explanation:

Given:

The LCM and HCF of two numbers are 420 and 6.

Sum of the numbers is 102.

Concept used:

LCM is the smallest common multiple of two or more numbers.

HCF is the largest number or quantity that is a factor of each member of a group of numbers.

$$(A + B)^2 - 4AB = (A - B)^2$$

Calculation:

Let the numbers be $6p$ and $6q$ respectively. (P, Q are co-primes and $6p > 6q$)

Difference between the numbers = $6p - 6q$

According to the question,

$$\text{LCM}(6p, 6q) = 420$$

$$\Rightarrow 6 \times p \times q = 420$$

$$\Rightarrow pq = 70$$

$$\Rightarrow 4pq = 280 \quad \dots(1) \text{ (Multiplied both by 4)}$$

$$6p + 6q = 102$$

$$\Rightarrow 6(p + q) = 102$$

$$\Rightarrow (p + q) = 17$$

$$\Rightarrow (p + q)^2 = 17^2$$

$$\Rightarrow (p + q)^2 - 4pq = 17^2 - 4pq \text{ (Subtracting } 4pq \text{ from both side)}$$

$$\Rightarrow (p - q)^2 = 289 - 280 \text{ (From 1)}$$

$$\Rightarrow (p - q)^2 = 9$$

$$\Rightarrow (p - q) = 3$$

$$\Rightarrow 6(p - q) = 18 \text{ (Multiplied both side by 6)}$$

$$\Rightarrow 6p - 6q = 18$$

\therefore The difference between the numbers is 18.

76. Answer: a

Explanation:

The correct answer is 'A first woman gold medalist'.

★ Key Points

- The error lies in 'a first woman gold medalist' part .
 - It should be ' **the** first woman gold medalist'.
 - We use article '**the**' before singular and plural nouns when the noun is specific or particular.
 - Similarly, here '**the**' is showing specificity that a grand celebration in honour was organised for that particular first woman gold medalist by the family members.
 - Therefore, the correct answer is **option 1**.
-

77. Answer: b

Explanation:

The correct answer is "Will be".

★ Key Points

- The use of 'are' is incorrect here.
 - The given sentence is a first conditional sentence that expresses a situation in which a outcome is likely to happen in future.
 - When using the first conditional structure, we use the simple present tense in the 'if' clause and simple future tense in the main clause.
 - Therefore, we will use 'will' in the main clause as per the above structure.
 - The correct answer is **option 2**.
-

78. Answer: c

Explanation:

The correct answer is 'Growl'.

★ Key Points

- Here, let's **explore different options** and find out which is **the one word** for the given group of words
 - **Caw** : to utter the harsh raucous natural call of the crow or a similar cry.
 - **Bray** : It is the loud, harsh cry of a donkey.
 - **Growl** is to make a low, guttural, aggressive sound and , animals that growl include dogs, crocodiles, bears etc.
 - **Purr** : to utter a low, continuous, murmuring sound expressive of contentment or pleasure, as a cat does.
 - So after exploring the meanings of all four options, we are able to conclude that the one word for 'that sound a bear makes' is Growl.
 - Hence, the correct answer is **option 3**.
-

79. **Answer: c**

Explanation:

The correct answer is "**to postpone something**".

★ Key Points

- The given idiom '**to put something on hold**' means to postpone something; to stop the progress of something.
 - **Example:** *Financial crunch led them to **put their future plans on hold**.*
 - With the given meaning and its example sentence, it's pretty obvious that the meaning is '**To postpone something.**'
 - Thus, the correct answer is **option 3**.
-

80. **Answer: d**

Explanation:

The correct answer is '**patriot**'.

★ Key Points

- Here, we need a one-word substitution for 'A person who loves, supports and defends his country' from the given options:
- The marked option '**patriot**' means a person who loves his or her country and is ready to boldly support and defend it.
 - **Example** :All the freedom fighters in history are revered as *patriots*.
- From the above given meaning and example of the marked option '**patriot**' we are sure that it can be used as a one word substitute for the given group of words.
- Therefore, the correct answer is **option 4**.

81. Answer: c

Explanation:

The erroneous spelling is '**Pickel**'.

★ **Key Points**

- Pickel is the erroneous spelling of Pickle.
- The meaning of the word **Pickle** is a food that's made by soaking vegetables in brine or vinegar.
 - **Example**. No Indian meal is complete without a *modicum* of a pickle.
- Therefore, the correct answer is **option 3**.

82. Answer: c

Explanation:

The correct answer is 'Ultimately'.

★ **Key Points**

- From the given options, we need to choose the appropriate word that fits well in the given blank contextually.

- Immediately : without delay or intervention.
 - Accurately: in a way that is correct, exact, and without any mistakes.
 - Ultimately: In the end, finally, most importantly, and conclusively.
 - Happily: Luckily, fortunately
 - From the given options, 'ultimately' is the best fit here in the given blank as the sentence conveys that in the end /conclusively, the person is solely responsible to blame himself.
 - Therefore, the correct answer is option 3.
-

83. Answer: b

Explanation:

The correct answer is **Control**

★ Key Points

- **Restrain** meaning is to control the actions or behavior of someone by force.
 - *Example: Virat Kohli has to **restrain** himself from eating his favorite Chole Bhature.*
 - The marked option **Control** means the 'power or authority to direct, order or restrain.'
 - From the above-given meaning of the marked option and the given word, it is obvious that '**restrain**' and **control** both are synonyms of each other.
 - Therefore, the correct answer is **option 2**.
-

84. Answer: b

Explanation:

The correct answer is "I returned home".

★ Key Points

- Here we need to correct the incorrect usage of tense.
- 'Last' word indicates that the tense is **simple past**.
- The **simple past tense** is used to talk about a past activity.
- The **structure** goes like :
 - Subject(He/she/It/I/You/We/They)+ **Past form of the Verb(V2)**
- Therefore '**returned**' will be used instead of 'returning' in the above-given sentence for making it error-free.
- Thus, the correct answer is **option 2**.

85. Answer: c

Explanation:

The correct answer is "**Lack**".

★ Key Points

- **Resource** : Something that is available for use in abundance or that can be used for support or help.
 - **Example:** Saudi Arabia is rich in natural **resources** like natural gas, petroleum reserves, etc.
- The marked option '**Lack**' means scarcity or absence of something needed or desirable.
 - **Example** : A **lack** of exposure to Sunlight causes Vitamin D deficiency.
- Therefore, from the above-given example sentences and their meanings, we can infer that '**resource**' and '**lack**' are antonyms of each other.
- Thus, the correct answer is **option 3**.

86. Answer: d

Explanation:

The erroneous segment is "Nobody were".

★ Key Points

- We have to select that segment that contains a grammatical error.
- The given sentence is **not grammatically correct**.
- The error lies in **Part A** of the sentence.
- Here **Nobody** is an **indefinite pronoun** that refers to 'not any person'.
- Nobody is a **singular pronoun** and therefore we use it with a singular verb.
- Therefore, the usage of '**were**' is incorrect here.
- **We will use 'was' instead of 'were' with nobody for making this sentence error-free.**
- Thus, the correct answer is **option 4**.

Correct Sentence: *Nobody **was** allowed into the containment zones during the pandemic.*

87. **Answer: a**

Explanation:

The correct answer is 'Mala aunties small shop'.

★ Key Points

- The given sentence is **grammatically incorrect**.
- The error lies in '**Mala aunties small shop**'.
- **Possessive nouns** are nouns that show ownership or a direct connection.
- We usually use possessives/'s when we are talking about living things, such as people, groups of people, and animals.
- So as per the given explanation, there should be the usage of '**Mala Aunt's small shop**'.
- Thus the correct answer is **option 1**.

Correct Sentence : *Children are fond of eating food from Mala aunty's small shop at the corner of the street.*

88. Answer: a

Explanation:

The correct answer is '**contented**'.

★ Key Points

- Let us explore the **meanings** of the given options :
- **Contented** : happy and satisfied.
- **Enthusiastic**: full of excitement and interest in something.
- **Irritated**: angered, provoked, or annoyed.
- **Miserable**: unpleasant; making you feel unhappy.
- From the given meanings, it is clear that '**contented**' is the appropriate word to be filled in the blank.
- The given sentence implies that despite getting meager wages, the person was satisfied with his life.
- Therefore, the correct answer is **option 1**.

89. Answer: a

Explanation:

The correct answer is "**Varies**"

★ Key Points

- The given sentence is saying about a specific turn that is **worn by Indians that alter from one region to another**.
- From the given options, as per the sense conveyed above, **Varies** is the best fit in the blank as it **means to alter, to be different in different situations**.
 - **Example:** *The price of the **particular** stock of a company varies from day to day.*
- Therefore, the correct answer is **option 1**.

90. Answer: a

Explanation:

The correct answer is " **Confide**".

★ Key Points

- We need to replace the underlined word '**Confine**' with the most appropriate word from the given options that can bring out the context of the sentence:
- **Confine** means to keep somebody/something inside the limits of a particular activity, subject, area, etc.
 - **Example** :*Confining a single task at a time helps in increasing focus, concentration, and efficacy.*
- The marked option '**Confide**' means to tell something secret or confidential details to someone whom you trust not to tell anyone else.
 - **Example**:*She is an introverted personality and can only confide in her closest best friend.*
- From the meaning and its example sentence, we are sure that '**confide**' is the most appropriate word which will replace the given underlined word as it brings out the context of the sentence.
- The **sentence conveys** that Becky was having her as her only companion with whom she can share personal feelings with trust.
- Therefore, the correct answer is **option 1**.

Correct Sentence: She was the only companion Becky could confide in.

★ Additional Information

- Let's explore other **options** :
- **Console** : To comfort someone in times of despair, and hopelessness.
- **Confer**: to discuss something with somebody before making a decision.
- **Content**: to be happy and satisfied with what you have to do

91. Answer: a

Explanation:

The correct answer is 'Kleptomania'.

★ Key Points

- Here, we need a one-word substitution for 'a recurrent urge to steal' from the given options:
- **Kleptomania:** It is a mental health condition where a person feels an uncontrollable urge to steal things.
 - **Example:** People with **kleptomania** have the urge to steal whether they need it or not.
- Therefore, the correct **one-word** substitute for the given group of words is 'Kleptomania'.
- Thus, the correct answer is **option 1**.

★ Additional Information

- **Pyromania** : an obsessive desire to set fire to things.
- **Monomania** : It is an obsessive enthusiasm for or preoccupation with one thing
- **Dipsomania** : It is a compulsive desire to drink alcoholic beverages.

92. Answer: c

Explanation:

The correct answer is 'Disperse'.

★ Key Points

- **Collect** means to gather and assemble together.
 - Example: A courier was dispatched to collect the documents.
- **Disperse** means to drive or send off in various directions; scatter.

- Example: Police ordered the crowd to disperse.
- From the above meaning and the example given above, Disperse and Collect are antonyms of each other.
- Therefore, the correct answer is option 3.

★ Additional Information

- **Hoard** means to collect and store large quantities of something.
 - **Compose** to be the parts that together form something.
 - **Confine** to keep a person or animal in a particular, usually small, place.
-

93. Answer: c

Explanation:

The erroneous spelling is **Terrestrial** .

★ Key Points

- **Terrestrial** is the correct spelling of the erroneously spelled word Terrestrial.
- **Terrestrial** means living on the land rather than in water or air(animals).
- **Therefore**, the correct answer is **option 3**.

Your Personal Exams Guide

94. Answer: b

Explanation:

The correct answer is 'crucial'

★ Key Points

- The meaning of the given word 'vital' is very important, necessary, and significant.
 - **Example:** In today's modern day and age, Yoga plays a vital role in keeping us mentally and physically fit and stress-free.

- The marked option '**Crucial**' means essential extremely important and completely necessary.
 - **Example:** Vitamins are crucial for maintaining good health.
- From the above meaning and example, it is clear that 'Vital' and 'Crucial' are synonyms for each other.
- Therefore, the correct answer is **option 2**.

95. **Answer: c**

Explanation:

The correct answer is 'At the very last minute'.

★ Key Points

- The given idiom 'At the eleventh hour' is very late or at the **last possible moment**.
 - Example: He postponed his trip at the eleventh hour.
- Therefore, the correct answer is option 3.

96. **Answer: d**

Explanation:

The correct answer is '**Backbones**'.

★ Key Points

- In the opening sentence 'Life processes are similar in all animals with (1) _____.' we can see that our subject is a **plural subject** and so the given blank is also a plural subject as per the grammatical rule of parallelism.
- From the given options, '**backbones**' is the most appropriate option to be filled in the given blank as it is a **plural noun**.
- Therefore, the correct answer is **option 4**.

97. Answer: c

Explanation:

The correct answer is 'such as'.

★ Key Points

- The given sentence ' So physiologists can find out a lot about the human body by studying animals (2)_____ frogs, rats and ,rabbits.' conveys that physiologists study animals **including** frogs, rats, and rabbits to find out a lot about our human body.
- The given blank is **filled** with a word that is similar to the **above-given** context.
- From the given options , **Such as** is used to provide examples of the same type.
- Including is the synonym of 'such as' and in the above sentence '**Such as**' is the most appropriate word as it gives examples of animals of the same type.
- Therefore, the correct answer is o **ption 3**.

98. Answer: a

Explanation:

The correct answer is 'hurt'.

★ Key Points

- From the given options, we need to choose the appropriate word that will fill the **blank number 3**.
- The given sentence '**But, physiologists take great care to not (3)_____ the animals** .' conveys that Physiologists look after not to harm the animals.
- The marked option '**hurt**' means to cause physical pain or injury, to harm or damage in some way.
- Therefore, the most appropriate word is '**hurt**' as per the given meaning above and it fits well in the **blank number 3**.

- Thus, the correct answer is **option 1**.
-

99. Answer: c

Explanation:

The correct answer is '**usually**'.

★ Key Points

- In the given sentence 'The animals are (4)_____ put to sleep during the experiments.' we need to fill the **blank number 4 with the correct adverb** from the given options.
 - We can choose the correct option after exploring the usage of each adverb given in the options.
 - **Oddly** is used to show that something is surprising and it means in an unusual and interesting way; unexpectedly.
 - **Strangely** is similar in usage to **Oddly** as it means in an unusual way.
 - **Usually** is used to talk about what happens on most occasions or in most situations.
 - **Incidentally** is used for adding related information; in a way that is not planned.
 - After going through each and every option, we can say that '**Usually**' is the most appropriate word to be filled in the **blank number 4**.
 - Therefore, the correct answer is **option 3**.
-

100. Answer: a

Explanation:

The correct answer is '**that**'.

★ Key Points

- In the given sentence ' **It is only by physiological research (5)_____ medicine has been able to advance** ' requires an appropriate word from the given options to be filled in the blank number 5.
- Marked option '**that**' is used for introducing a clause stating a fact.
- In the above sentence '**that**' will be used in the given blank as it states the fact why medicine has been able to advance.
- Therefore, the correct answer is **option 1**.

Prepp

Your Personal Exams Guide