

Constable GD in CAPFs SSF Rifleman GD in Assam Rifles and B Examination 2022

Roll Number	
Candidate Name	
Venue Name	iON Digital Zone iDZ5 Patliputra
Exam Date	01/02/2023
Exam Time	5:15 PM - 6:15 PM
Subject	Constable GD Examination 2022

Section : Part-A-General Intelligence and Reasoning

Q.1 Select the correct mirror image of the given figure when the mirror is placed at MN as shown below.

Ans

- ✓ 1.
- ✗ 2.
- ✗ 3.
- ✗ 4.

Question ID : 26433085560

Status : Answered

Chosen Option : 1

Q.2 In a certain code language, 'heart games' is coded as 'alarm coffee', 'wrap' is coded as 'bottle', and 'wrap games' is coded as 'bottle coffee'. What is the code word for 'heart'?

Ans

- ✓ 1. alarm
- ✗ 2. wrap
- ✗ 3. bottle
- ✗ 4. coffee

Question ID : 26433079365

Status : Answered

Chosen Option : 1

Q.3 Select the option that is related to the fifth number in the same way as the second number is related to the first number and the fourth number is related to the third number.

15 : 4 :: 21 : 6 :: 42 : ?

- Ans
- 1. 8
 - 2. 12
 - 3. 13
 - 4. 11

Question ID : 26433069416

Status : Answered

Chosen Option : 3

Q.4 Select the option that is related to the third word in the same way as the second word is related to the first word. (The words must be considered as meaningful English words and must not be related to each other based on the number of letters/number of consonants/vowels in the word.)

Argentina : Peso :: Japan : ?

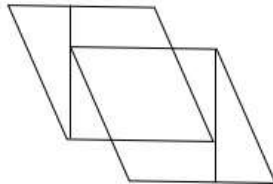
- Ans
- 1. Yen
 - 2. Rial
 - 3. Krona
 - 4. Guilder

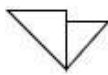
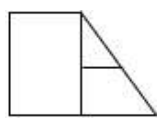
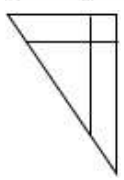
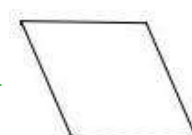
Question ID : 26433067369

Status : Answered

Chosen Option : 1

Q.5 Select the option figure which is embedded in the given figure. (Rotation is NOT allowed)



- Ans
- 1. 
 - 2. 
 - 3. 
 - 4. 

Question ID : 26433069334

Status : Answered

Chosen Option : 4

Q.6 Which letter-cluster will replace the question mark (?) to complete the given series?
CJEZ, ?, WFYV, TDVT, QBSR

- Ans
- 1. AGCX
 - 2. ZHBX
 - 3. BGAW
 - 4. BHAY

Question ID : 26433068039
Status : Answered
Chosen Option : 2

Q.7 Which of the numbers(not digits) should be interchanged in the below equation to make it mathematically correct?
 $108 \div 9 \times 16 + 12 - 27 = 126$

- Ans
- 1. 12 and 27
 - 2. 9 and 12
 - 3. 16 and 9
 - 4. 27 and 9

Question ID : 264330117492
Status : Answered
Chosen Option : 2

Q.8 Which two signs should be interchanged to make the below equation mathematically correct?
 $44 - 96 \times 4 \div 3 + 58 = 30$

- Ans
- 1. - and \div
 - 2. \times and +
 - 3. + and -
 - 4. \div and \times

Question ID : 264330114195
Status : Answered
Chosen Option : 4

Q.9 In a certain code language, 'ARGUE' is written as '22620926' and 'BEACH' is written as '1924262225'. How will 'ACCEL' be written in that language?

- Ans
- 1. 1522226426
 - 2. 1524242426
 - 3. 1252242426
 - 4. 1522242426

Question ID : 26433069553
Status : Answered
Chosen Option : 4

Q.10 Six friends M, N, O, P, Q and R are sitting in a straight row facing north. Exactly three people are sitting to the left of N. O is sitting immediately to the right of N. M and P are immediate neighbours of Q such that M is the fourth to the left of O. Where is R seated?

- Ans
- 1. Second to the left of N
 - 2. Third to the right of P
 - 3. Immediate right of M
 - 4. Third to the left of O

Question ID : 26433074526

Status : Answered

Chosen Option : 2

Q.11 Which letter-cluster will replace the question mark (?) to complete the given series?
ACEG, BDFH, ?, DFHJ, EGIK

- Ans
- 1. CDEF
 - 2. CEGI
 - 3. CFHJ
 - 4. CEHI

Question ID : 26433067710

Status : Answered

Chosen Option : 2

Q.12 Which option represents the correct order of the given words as they would appear in the English dictionary?

- 1 power
- 2 pour
- 3 powder
- 4 pointed
- 5 polite

- Ans
- 1. 4,2,5,3,1
 - 2. 4,5,2,3,1
 - 3. 4,3,5,2,1
 - 4. 4,2,3,1,5

Question ID : 26433069283

Status : Answered

Chosen Option : 2

Q.13 Which figure should replace the question mark (?) if the series were to be continued?

C	B	S	Z	4	B	S	C	?
4		C		Z		4		
S	Z	4	B	S	C	Z	B	

Ans

✗ 1.

4	S
	C
B	Z

✗ 2.

Z	B
	S
4	C

✓ 3.

Z	B
	C
S	4

✗ 4.

C	S
	B
4	Z

Question ID : 26433076635

Status : Answered

Chosen Option : 2

Q.14 Select the option that is related to the third word in the same way as the second word is related to the first word. (The words must be considered as meaningful English words and must not be related to each other based on the number of letters/number of consonants/vowels in the word.)
Goldsmith : Ornaments :: Sculptor : ?

Ans ✗ 1. Sand

✗ 2. Museum

✗ 3. Stone

✓ 4. Bust

Question ID : 26433069582

Status : Answered

Chosen Option : 3

Q.15 Six people J, K, L, M, N and O are sitting around a circular table facing the centre. J sits second to the right of N. O is an immediate neighbour of M and J. K sits second to the left of L. Who sits to the immediate right of O?

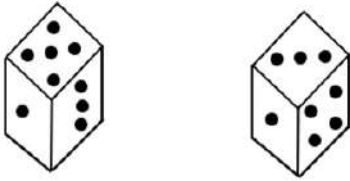
- Ans
- 1. K
 - 2. N
 - 3. M
 - 4. L

Question ID : 26433069479

Status : Answered

Chosen Option : 3

Q.16 Two different positions of the same dice are shown having numbers 1 to 6 represented as dots. Find the number on the face opposite the face showing '5'.



- Ans
- 1. 4
 - 2. 6
 - 3. 2
 - 4. 1

Question ID : 26433085524

Status : Answered

Chosen Option : 1

Q.17 Three statements are given followed by two conclusions. Assuming the statements to be true, even if they seem to be at variance with commonly known facts, decide which of the conclusions logically follow(s) from the statements.

Statements:

All tables are woods.

All woods are paints.

No paint is a steel.

Conclusions:

1. All steels can be woods.

2. Some paints are steels.

- Ans
- 1. Both conclusions 1 and 2 follow.
 - 2. Neither conclusion 1 nor 2 follows.
 - 3. Only conclusion 1 follows.
 - 4. Only conclusion 2 follows.

Question ID : 26433089422

Status : Answered

Chosen Option : 2

Q.18 Which number will replace the question mark (?) in the following series?

1, 5, ?, 25, 41, 61

- Ans
- 1. 10
 - 2. 13
 - 3. 8
 - 4. 12

Question ID : 26433067842

Status : Answered

Chosen Option : 2

Q.19 Which of the following numbers will replace the question mark (?) in the given series?

16, 23, 34, 47, 64, ?, 106

- Ans
- 1. 83
 - 2. 90
 - 3. 98
 - 4. 86

Question ID : 26433070216

Status : Answered

Chosen Option : 1

Q.20 'A + B' means 'B is the father of A'

'A - B' means 'B is the mother of A'

'A @ B' means 'B is the brother of A'

'A * B' means 'B is the son of A'

If A * B + C @ D - E, then how is E related to A?

- Ans
- 1. Sister
 - 2. Mother
 - 3. Mother-in-law
 - 4. Brother's wife

Question ID : 26433068532

Status : Answered

Chosen Option : 3

Section : Part-B-General Knowledge and General awareness

Q.1 An instrument that can detect the presence of a current in a circuit is known as

_____.

- Ans
- 1. odometer
 - 2. speedometer
 - 3. hygrometer
 - 4. ammeter

Question ID : 26433089647

Status : Answered

Chosen Option : 4

Q.2 Who has sworn in as 50th Chief Justice of India?

- Ans 1. Uday Umesh Lalit
 2. Dhananjaya Yashwant Chandrachud
 3. Sharad Arvind Bobde
 4. Nuthalapati Venkata Ramana

Question ID : 264330114982
Status : Answered
Chosen Option : 2

Q.3 Radha Sridhar won the Sangeet Natak Akademi Award in 2018 in _____.

- Ans 1. Kathak
 2. Odissi
 3. Bharatnatyam
 4. Manipuri

Question ID : 264330115876
Status : Not Answered
Chosen Option : --

Q.4 Powers, authority and responsibilities of Municipalities are dealt under which schedule?

- Ans 1. 11th
 2. 13th
 3. 10th
 4. 12th

Question ID : 264330115614
Status : Answered
Chosen Option : 1

Q.5 Which political leader quit Indian National Congress following differences with party leadership in May 2022?

- Ans 1. Sonia Gandhi
 2. Mallikarjun Kharge
 3. Kapil Sibal
 4. Shashi Tharoor

Question ID : 264330114914
Status : Answered
Chosen Option : 3

Q.6 How many types of Bihu festival are celebrated in Assam?

- Ans 1. 6
 2. 3
 3. 5
 4. 2

Question ID : 264330106203
Status : Answered
Chosen Option : 2

Q.7 The concepts of Dhamma was popularized by which of the following Mauryan kings?

- Ans 1. Ashoka
 2. Bindusara
 3. Dasaratha
 4. Chandragupta

Question ID : 264330115452
Status : Answered
Chosen Option : 1

Q.8 The Dronacharya Sports Award is given to the_____.

- Ans 1. Captain of the Team
 2. Best player of The team
 3. President of the team
 4. Coach of the Team

Question ID : 264330116290
Status : Answered
Chosen Option : 4

Q.9 Planning Commission was established under _____ on March 15, 1950

- Ans 1. APJ Abdul Kalam
 2. Indira Gandhi
 3. Subhash Chandra Bose
 4. Jawahar Lal Nehru

Question ID : 264330115380
Status : Answered
Chosen Option : 4

Q.10 Availability of _____ during winter months due to the western temperate cyclones helps in the success of rabi crops.

- Ans 1. frost
 2. precipitation
 3. fog
 4. wind

Question ID : 264330115526
Status : Answered
Chosen Option : 1

Q.11 On September 1948 the Indian army intervened and took control of which princely state?

- Ans
- 1. Assam
 - 2. Uttar Pradesh
 - 3. Hyderabad
 - 4. Tripura

Question ID : 264330115688
Status : Answered
Chosen Option : 3

Q.12 Which Indian organisation is responsible for collecting data on poverty in the country?

- Ans
- 1. NITI Aayog
 - 2. National Organisation for Social Empowerment
 - 3. National Sample Survey Organisation
 - 4. Office of Registrar General and Census Commissioner of India

Question ID : 264330116076
Status : Answered
Chosen Option : 1

Q.13 The council of ministers is collectively responsible to the _____.

- Ans
- 1. people
 - 2. lok sabha
 - 3. chief minister
 - 4. governor

Question ID : 26433086672
Status : Answered
Chosen Option : 3

Q.14 The classical text, Hasthalakshana Deepika, is associated with which Indian classical dance form?

- Ans
- 1. Sattriya
 - 2. Kuchipudi
 - 3. Bharatanatyam
 - 4. Kathakali

Question ID : 26433069902
Status : Not Answered
Chosen Option : --

Q.15 Government goods and services that aren't sold directly to the consumers, for example defence goods, roads are categorised under:

- Ans
- 1. private goods
 - 2. international goods
 - 3. public goods
 - 4. expensive goods

Question ID : 264330115279
Status : Answered
Chosen Option : 3

Q.16 What is an area of dry land that lies on the leeward side of a mountain called?

- Ans
- 1. Rainshadow area
 - 2. Windward Side
 - 3. Leeward Side
 - 4. Mountainous areas

Question ID : 264330115981
Status : Not Answered
Chosen Option : --

Q.17 The national level cricket championship, Ranji Trophy, began in _____.

- Ans
- 1. 1934-1935
 - 2. 1953-1954
 - 3. 1950-1951
 - 4. 1944-1945

Question ID : 26433089922
Status : Not Answered
Chosen Option : --

Q.18 The National Food and Security Act of 2013 (NFSA2013) provides subsidised food grains to _____ of India's rural population.

- Ans
- 1. 95%
 - 2. 75%
 - 3. 65%
 - 4. 85%

Question ID : 264330116156
Status : Answered
Chosen Option : 2

Q.19 Select the second step of decomposition.

- Ans 1. leaching
 2. fragmentation
 3. catabolism
 4. humification

Question ID : 264330115252
Status : Not Answered
Chosen Option : --

Q.20 Any person in-charge of or employed in a child care institution, who subjects a child to corporal punishment shall be liable under_____.

- Ans 1. Indian Advocate's Act
 2. Hindu succession act
 3. Juvenile Justice Act
 4. Hindu adoption act

Question ID : 264330116222
Status : Answered
Chosen Option : 4

Section : Part-C-Elementary Mathematics

Q.1 The LCM of 192 and 480 is 60 more than the 100 times of X. What is the value of X?

- Ans 1. 6
 2. 12
 3. 9
 4. 18

Question ID : 264330116631
Status : Answered
Chosen Option : 3

Q.2 Divide Rs.500 among A, B, C and D so that A and B together get thrice as much as C and D together, B gets 4 times what C gets and C gets 1.5 times as much as D. The value of B's share is:

- Ans 1. Rs.250
 2. Rs.300
 3. Rs.125
 4. Rs.75

Question ID : 26433076038
Status : Answered
Chosen Option : 2

Q.3 A's speed is 30% more than that of B. If A and B run a race on a 117 m length race, what part of the length of the race should A give B as a head start, so that the race ends in a dead heat?

- Ans
- 1. 90 m
 - 2. 117 m
 - 3. 27 m
 - 4. 36 m

Question ID : 26433080051
Status : Answered
Chosen Option : 3

Q.4 A single discount equivalent to two successive discounts 15% and 25% is:

- Ans
- 1. $21\frac{1}{4}\%$
 - 2. $26\frac{3}{4}\%$
 - 3. $38\frac{1}{4}\%$
 - 4. $36\frac{1}{4}\%$

Question ID : 26433061070
Status : Answered
Chosen Option : 4

Q.5 A certain sum of money fetches simple interest of Rs.4,016.25 at the rate of 7% per annum in 5 years. What is the sum?

- Ans
- 1. Rs.10,475
 - 2. Rs.9,475
 - 3. Rs.11,400
 - 4. Rs.11,475

Question ID : 26433075237
Status : Answered
Chosen Option : 4

Q.6 A person drives for 320 kms in 8 hours, cycles for 40 kms in 5 hours and then walks for 40 kms in 7 hours. Find the average speed of the driver.

- Ans
- 1. 20 kmph
 - 2. 18 kmph
 - 3. 22 kmph
 - 4. 22.22 kmph

Question ID : 264330116686
Status : Answered
Chosen Option : 1

Q.7

Find the remainder of $\frac{3126^{20} 21^{22} 23^{--}}{5}$.

- Ans
- 1. 1.4
 - 2. 2.0
 - 3. 3.1
 - 4. 4.2

Question ID : 26433080385
Status : Answered
Chosen Option : 3

Q.8 Two years ago, the population of a town was 66000. The population increased by 5% in the first year and decreased by 5% in the second year. Find the present population of the town.

- Ans
- 1. 68553
 - 2. 63855
 - 3. 65835
 - 4. 65583

Question ID : 26433075196
Status : Answered
Chosen Option : 3

Q.9 The radius of the base of a conical vessel is 5 cm and its height is 24 cm. The vessel is full of water. This water is poured into a cylindrical vessel having the base radius 10 cm. The depth of the water in the cylindrical vessel is:

- Ans
- 1. 1 cm
 - 2. 4 cm
 - 3. 2 cm
 - 4. 3 cm

Question ID : 26433075213
Status : Answered
Chosen Option : 3

Q.10 Three partners A, B and C started a business and decided to share the profit in the ratio 2 : 3 : 5, respectively. If the share of B is Rs.7,50,000, then calculate the total profit.

- Ans
- 1. Rs.24,00,000
 - 2. Rs.20,00,000
 - 3. Rs.25,00,000
 - 4. Rs.27,00,000

Question ID : 26433075976
Status : Answered
Chosen Option : 3

Q.11 P can do as much work as Q and R together can do. P and Q can together do a piece of work in 8 hours and 24 minutes and R can do it in 42 hours. Find the time (in hours) that Q needs to do the work alone.

- Ans
- 1. 22 hours
 - 2. 24 hours
 - 3. 21 hours
 - 4. 20 hours

Question ID : 264330116906
Status : Answered
Chosen Option : 3

Q.12 Salary of a person is first decreased by 40 percent and then increased by 40 percent. What will be the percentage decrease in the salary ?

- Ans
- 1. 18 percent
 - 2. 12 percent
 - 3. 16 percent
 - 4. 15 percent

Question ID : 26433079854
Status : Answered
Chosen Option : 3

Q.13 Find the total surface area of a cylinder whose height is 8.5 mm and the base diameter is 10 mm.

- Ans
- 1. $135\pi \text{ mm}^2$
 - 2. $85.5\pi \text{ mm}^2$
 - 3. $67.5\pi \text{ mm}^2$
 - 4. $120\pi \text{ mm}^2$

Question ID : 26433080249
Status : Answered
Chosen Option : 1

Q.14 Excluding the stoppages, the speed of a truck is 90 km/h and including the stoppages, the speed of the truck is 36 km/h in a journey. For how many minutes does the truck stop per hour?

- Ans
- 1. 54 minutes
 - 2. 36 minutes
 - 3. 40 minutes
 - 4. 42 minutes

Question ID : 26433074939
Status : Answered
Chosen Option : 2

Q.15 A dealer offers 20% discount on all dolls. He offers a further discount of 5% on the reduced price to those customers who pay in cash. How much will a customer pay in cash for a doll worth Rs.1,800?

- Ans
- 1. Rs.800
 - 2. Rs.1,368
 - 3. Rs.1,225
 - 4. Rs.1,532

Question ID : 26433083041
Status : Answered
Chosen Option : 2

Q.16 In a storm 243 trees were left standing out of 300 trees in a garden. What is the percentage decrease in number of trees?

- Ans
- 1. 19 percent
 - 2. 22 percent
 - 3. 24 percent
 - 4. 21 percent

Question ID : 264330116826
Status : Answered
Chosen Option : 1

Q.17 A shopkeeper sells his goods at 10 percent loss on cost price but uses 30 percent less weight. What is his profit?

- Ans
- 1. $28\frac{4}{7}$ percent
 - 2. $21\frac{4}{7}$ percent
 - 3. $25\frac{5}{7}$ percent
 - 4. $20\frac{3}{7}$ percent

Question ID : 26433079864
Status : Answered
Chosen Option : 1

Q.18 If 6 men or 8 women can reap a field in 21.5 days. How long will 14 men and 10 women take to reap it?

- Ans
- 1. 9 days
 - 2. 8 days
 - 3. 6 days
 - 4. 12 days

Question ID : 26433076209
Status : Answered
Chosen Option : 3

Q.19 The average of the cube of the first 4 natural numbers is:

- Ans 1. 25
 2. 100
 3. 75
 4. 50

Question ID : 26433075718
Status : Answered
Chosen Option : 1

Q.20 Rita buys a toy car for Rs.12,000 and sells it for Rs.14,500. What is her gain percent?
(rounded off to two digits after decimal)

- Ans 1. 20.83%
 2. 18%
 3. 22%
 4. 14.50%

Question ID : 26433074920
Status : Answered
Chosen Option : 1

Section : Part-D-English

Q.1 The sentence given below has one misspelt word. Spot the INCORRECTLY spelt word and select its correct spelling.

Too much bureacracy suppresses creativity.

- Ans 1. Bureaucracy
 2. Burocracy
 3. Bureaukracy
 4. Burreaukracy

Question ID : 26433073555
Status : Answered
Chosen Option : 1

Q.2 Select the most appropriate option that can substitute the underlined segment in the given sentence.

The mob broke up the norms of the country.

- Ans 1. violated
 2. invade
 3. disturb
 4. damaged

Question ID : 26433086464
Status : Answered
Chosen Option : 1

Q.3 Select the most appropriate option to fill in the blank.

The skeleton of an unknown person has been hanging on the tree _____ last Wednesday.

- Ans 1. through
 2. since
 3. about
 4. for

Question ID : 26433074364
Status : Answered
Chosen Option : 2

Q.4 Select the most appropriate synonym of the given word.

Hesitation

- Ans 1. Readiness
 2. Reluctance
 3. Prudence
 4. Creativity

Question ID : 26433073465
Status : Answered
Chosen Option : 2

Q.5 Select the correct word for the blanks in the given sentence.

There is a provision of _____ delivery in every courier service whereas a child can _____ his feelings at the age of 2 years or so.

- Ans 1. normal
 2. fast
 3. slow
 4. express

Question ID : 26433060536
Status : Answered
Chosen Option : 4

Q.6 Select the most appropriate meaning of the underlined idiom in the given sentence.

The second wave of the pandemic left everyone in the doldrums.

- Ans 1. In confusion
 2. In deep sympathy
 3. In need of help
 4. In low spirits and despair

Question ID : 26433073759
Status : Answered
Chosen Option : 4

Q.7 Select the most appropriate word to complete the meaning of the sentence.

The new owners of the newspaper had changed the _____ completely.

- Ans 1. layout
 2. outlay
 3. outlook
 4. outlet

Question ID : 26433088875
Status : Answered
Chosen Option : 4

Q.8 Select the most appropriate ANTONYM of the given word.

Dream

- Ans 1. Delusion
 2. Fancy
 3. Imagination
 4. Reality

Question ID : 26433072208
Status : Answered
Chosen Option : 4

Q.9 Select the most appropriate synonym of the given word.

Colossal

- Ans 1. Immense
 2. Joyous
 3. Entertaining
 4. Fantastic

Question ID : 26433088997
Status : Answered
Chosen Option : 1

Q.10 Select the most appropriate ANTONYM of the underlined word in the following sentence.

His ancestors are native to this place.

- Ans 1. Innate
 2. Community
 3. Enemy
 4. Foreign

Question ID : 26433072240
Status : Answered
Chosen Option : 4

Q.11 Select the most appropriate meaning of the given idiom.

Where the shoe pinches

- Ans
- 1. Tight fitting shoes
 - 2. Expensive shoes
 - 3. Where the comfort is more
 - 4. Where the difficulty lies

Question ID : 26433072221

Status : Answered

Chosen Option : 4

Q.12 Select the most appropriate option that can substitute the underlined segment in the given sentence.

She couldn't get over with Thomas due to his addiction to alcohol.

- Ans
- 1. get at with Thomas due to
 - 2. get along with Thomas due to
 - 3. get off with Thomas due to
 - 4. get rid with Thomas due to

Question ID : 264330100989

Status : Answered

Chosen Option : 2

Q.13 The following sentence has been divided into parts. One of them may contain an error.

Select the part that contains the error from the given options. If you don't find any error, mark 'No error' as your answer.

For the last three years, / Sunita had been running / private hostels near this university.

- Ans
- 1. Sunita had been running
 - 2. No error
 - 3. private hostels near this university
 - 4. For the last three years

Question ID : 26433073763

Status : Answered

Chosen Option : 3

Q.14 Select the INCORRECTLY spelt word.

- Ans
- 1. Powerful
 - 2. Willfull
 - 3. Grateful
 - 4. Doubtful

Question ID : 26433072458

Status : Answered

Chosen Option : 2

Q.15 Identify from the following options the word which is OPPOSITE in meaning to the given word.
Opaque

- Ans**
- 1. Intangible
 - 2. Shadowy
 - 3. Transparent
 - 4. Reflector

Question ID : **26433088816**
Status : **Answered**
Chosen Option : **3**

Comprehension:

In the following passage, some words have been deleted. Read the passage carefully and select the most appropriate option to fill in each blank.

The life (1) _____ of a banana is a colourful one; it starts with a deep green, changes to a delicious yellow and ends at an unappetizing brown. Bananas, like most fruits, produce and (2) _____ with an airborne hormone called ethylene. This hormone helps to signal the ripening process. An unripe fruit is hard and acidic. It is likely to possess a greenish (3) _____ due to the presence of chlorophyll. When a fruit comes into contact (4) _____ ethylene, the acids in the fruit start to break down, it becomes softer and the green chlorophyll is (5) _____ and replaced, in the case of bananas, with a yellow hue.

SubQuestion No : 16

Q.16 Select the most appropriate option to fill in blank number 1.

- Ans**
- 1. span
 - 2. story
 - 3. cycle
 - 4. time

Question ID : **26433072056**
Status : **Answered**
Chosen Option : **3**

Comprehension:

In the following passage, some words have been deleted. Read the passage carefully and select the most appropriate option to fill in each blank.

The life (1) _____ of a banana is a colourful one; it starts with a deep green, changes to a delicious yellow and ends at an unappetizing brown. Bananas, like most fruits, produce and (2) _____ with an airborne hormone called ethylene. This hormone helps to signal the ripening process. An unripe fruit is hard and acidic. It is likely to possess a greenish (3) _____ due to the presence of chlorophyll. When a fruit comes into contact (4) _____ ethylene, the acids in the fruit start to break down, it becomes softer and the green chlorophyll is (5) _____ and replaced, in the case of bananas, with a yellow hue.

SubQuestion No : 17

Q.17 Select the most appropriate option to fill in blank number 2.

- Ans**
- 1. differ
 - 2. correspond
 - 3. tamper
 - 4. react

Question ID : **26433072057**
Status : **Answered**
Chosen Option : **4**

Comprehension:

In the following passage, some words have been deleted. Read the passage carefully and select the most appropriate option to fill in each blank.

The life (1) _____ of a banana is a colourful one; it starts with a deep green, changes to a delicious yellow and ends at an unappetizing brown. Bananas, like most fruits, produce and (2) _____ with an airborne hormone called ethylene. This hormone helps to signal the ripening process. An unripe fruit is hard and acidic. It is likely to possess a greenish (3) _____ due to the presence of chlorophyll. When a fruit comes into contact (4) _____ ethylene, the acids in the fruit start to break down, it becomes softer and the green chlorophyll is (5) _____ and replaced, in the case of bananas, with a yellow hue.

SubQuestion No : 18

Q.18 Select the most appropriate option to fill in blank number 3.

- Ans 1. seed
 2. flesh
 3. fibre
 4. hue

Question ID : 26433072058

Status : Answered

Chosen Option : 4

Comprehension:

In the following passage, some words have been deleted. Read the passage carefully and select the most appropriate option to fill in each blank.

The life (1) _____ of a banana is a colourful one; it starts with a deep green, changes to a delicious yellow and ends at an unappetizing brown. Bananas, like most fruits, produce and (2) _____ with an airborne hormone called ethylene. This hormone helps to signal the ripening process. An unripe fruit is hard and acidic. It is likely to possess a greenish (3) _____ due to the presence of chlorophyll. When a fruit comes into contact (4) _____ ethylene, the acids in the fruit start to break down, it becomes softer and the green chlorophyll is (5) _____ and replaced, in the case of bananas, with a yellow hue.

SubQuestion No : 19

Q.19 Select the most appropriate option to fill in blank number 4.

- Ans 1. over
 2. from
 3. by
 4. with

Question ID : 26433072059

Status : Answered

Chosen Option : 4

Comprehension:

In the following passage, some words have been deleted. Read the passage carefully and select the most appropriate option to fill in each blank.

The life (1) _____ of a banana is a colourful one; it starts with a deep green, changes to a delicious yellow and ends at an unappetizing brown. Bananas, like most fruits, produce and (2) _____ with an airborne hormone called ethylene. This hormone helps to signal the ripening process. An unripe fruit is hard and acidic. It is likely to possess a greenish (3) _____ due to the presence of chlorophyll. When a fruit comes into contact (4) _____ ethylene, the acids in the fruit start to break down, it becomes softer and the green chlorophyll is (5) _____ and replaced, in the case of bananas, with a yellow hue.

SubQuestion No : 20

Q.20 Select the most appropriate option to fill in blank number 5.

- Ans 1. broken up
 2. brought to
 3. fallen into
 4. turned down

Question ID : 26433072060

Status : Answered

Chosen Option : 3

Section : Part-D-Hindi

Q.1 आधुनिक लोग गोबर को कम महत्व देते हैं।
उपरोक्त वाक्य में 'गोबर' के बदले आप कौन सा पद प्रयोग करेंगे?

- Ans 1. अक्षत
 2. तुलसी
 3. कुसुम
 4. गोमय

Question ID : 26433062689

Status : Not Answered

Chosen Option : --

Q.2 "सुजय राघव को पुस्तक दिया।"
उपरोक्त वाक्य में कारक सम्बन्धी त्रुटि पहचानकर निम्नलिखित में से शुद्ध वाक्य का चयन कीजिए।

- Ans 1. सुजय ने राघव का पुस्तक दिया।
 2. सुजय ने राघव को पुस्तक दी।
 3. सुजय राघव की पुस्तक दिया।
 4. सुजय राघव की पुस्तक दी।

Question ID : 26433066964

Status : Not Answered

Chosen Option : --

Q.3 निम्नलिखित वाक्यांश के लिए एक सार्थक शब्द क्या होगा?
जो इच्छा के अधीन है

- Ans
- 1. आंशिक
 - 2. अमानत
 - 3. आशातीत
 - 4. ऐच्छिक

Question ID : 26433069987

Status : Not Answered

Chosen Option : --

Q.4 निम्नलिखित वाक्य में रेखांकित एकार्थी शब्द युग्म का उपयुक्त अर्थ बताएं।
हमारे गाँव में पीपल के 'शाप्त-सप्त' पेड़ हैं।

- Ans
- 1. शापित-सात
 - 2. शुभ-लाभ
 - 3. नापित-शापित
 - 4. दो बार सात-सात

Question ID : 26433091331

Status : Not Answered

Chosen Option : --

Q.5 निम्नलिखित शब्दों में से कौन सा शब्द अनेकार्थी शब्द है?

- Ans
- 1. बौरा
 - 2. मोती
 - 3. मुद्रा
 - 4. मेंढक

Question ID : 26433091317

Status : Not Answered

Chosen Option : --

Q.6 निम्नलिखित वाक्य में रेखांकित शब्द के विलोम शब्द का प्रयोग करके रिक्तस्थान की पूर्ति कीजिए-
_____ बादल से वर्षा की सम्भावना कम ही होती है, स्याह बादल वर्षा के परिचायक हैं।

- Ans
- 1. श्याम
 - 2. सफेद
 - 3. अँधेरा
 - 4. काला

Question ID : 26433091346

Status : Not Answered

Chosen Option : --

Q.7 "जयेश ने खाना खाया।"
उपरोक्त वाक्य का अपूर्ण वर्तमानकाल में रूपांतरण क्या होगा?

- Ans 1. जयेश खाना खा रहा है।
 2. जयेश ने खाना खाया होगा।
 3. जयेश ने खाना खा रहा होगा।
 4. शायद जयेश खाना खा रहा हो।

Question ID : 26433066977
 Status : Not Answered
 Chosen Option : --

Q.8 जिस स्त्री के पुत्र और पति न हो' वाक्यांश के लिए इनमें से सही शब्द क्या है?

- Ans 1. सधवा
 2. विधवा
 3. कबीरा
 4. अवीरा

Question ID : 26433092245
 Status : Not Answered
 Chosen Option : --

Q.9 कौन से विकल्प में क्रमशः अकर्मक-सकर्मक क्रिया का सही युग्म दिया गया है।

- Ans 1. खाना, लिखना
 2. कहना, सोना
 3. गिरना, देना
 4. बैठना, लेटना

Question ID : 26433063046
 Status : Not Answered
 Chosen Option : --

Q.10 निम्नलिखित वाक्य के किस खंड में अशुद्धि है?
महादेवी वर्मा बड़ी जीवंत कवयित्री थीं।

- Ans 1. जीवंत
 2. बड़ी
 3. थीं
 4. कवयित्री

Question ID : 26433066750
 Status : Not Answered
 Chosen Option : --

Q.11 निम्नलिखित में से शुद्ध वाक्य है-

- Ans 1. मोहन श्याम की अपेक्षा सिष्ट है।
 2. मोहन श्याम की अपेक्षा शिष्ट है।
 3. मोहन श्याम की अपेक्ष शिष्ट है।
 4. मोहन श्याम की अपेक्षा सिस्टर है।

Question ID : 26433066840
Status : Not Answered
Chosen Option : --

Q.12 निम्न वाक्य में रेखांकित अंश के लिए उचित मुहावरा दिए गए विकल्पों में से चुनिए।
बेटा अच्छे अंकों से पास हो गया, माँ के मन को शांति मिली।

- Ans 1. कलेजा ठंडा होना
 2. काँटा दूर होना
 3. कलम तोड़ना
 4. कली खिलना

Question ID : 26433062302
Status : Not Answered
Chosen Option : --

Q.13 'सुंदरी' के लिए पर्याय शब्द निम्न में से क्या होगा?

- Ans 1. भामा
 2. सुदर्शना
 3. वनिता
 4. रानी

Question ID : 26433069943
Status : Not Answered
Chosen Option : --

Q.14 'बरसात के चार महीने' वाक्यांश के लिए सार्थक शब्द है-

- Ans 1. चारमासा
 2. चौमासा
 3. बारहमासा
 4. बरसात

Question ID : 26433062227
Status : Not Answered
Chosen Option : --

Q.15 रीता ने समीर के स्वभाव के बारे में जो बात कही है, वह _____ आने सही है।
उपरोक्त वाक्य में रिक्त स्थान की पूर्ति उचित मुहावरे द्वारा कीजिए।

- Ans
- 1. चार
 - 2. आठ
 - 3. बारह
 - 4. सोलह

Question ID : 26433062616

Status : Not Answered

Chosen Option : --

Comprehension:

निम्नलिखित गद्यांश में कुछ शब्दों को हटा दिया गया है। दिए गए विकल्पों की सहायता से रिक्त स्थानों की पूर्ति कीजिए। प्रत्येक संख्या के लिए सबसे उपयुक्त विकल्प का चयन कीजिए।
भारत कृषि प्रधान 1. _____ है। यहाँ की अधिकांश जनता 2. _____ करती है। कृषि ही उसकी जीविका का साधन है और यही व्यवसाय है। कृषक आज भी 3. _____ में रहता है। यद्यपि कुछ दशकों से यह दिखाई दे रहा है कि भारत का किसान अपना व्यवसाय छोड़कर 4. _____ की ओर भाग रहा है। फिर भी नगर और गाँवों के बीच की भूमि पर आज भी 5. _____ होती है।

SubQuestion No : 16

Q.16 रिक्त स्थान 1 की पूर्ति के लिए सबसे उपयुक्त विकल्प का चयन कीजिए।

- Ans
- 1. देश
 - 2. क्षेत्र
 - 3. राज्य
 - 4. नगर

Question ID : 264330110981

Status : Not Answered

Chosen Option : --

Comprehension:

निम्नलिखित गद्यांश में कुछ शब्दों को हटा दिया गया है। दिए गए विकल्पों की सहायता से रिक्त स्थानों की पूर्ति कीजिए। प्रत्येक संख्या के लिए सबसे उपयुक्त विकल्प का चयन कीजिए।
भारत कृषि प्रधान 1. _____ है। यहाँ की अधिकांश जनता 2. _____ करती है। कृषि ही उसकी जीविका का साधन है और यही व्यवसाय है। कृषक आज भी 3. _____ में रहता है। यद्यपि कुछ दशकों से यह दिखाई दे रहा है कि भारत का किसान अपना व्यवसाय छोड़कर 4. _____ की ओर भाग रहा है। फिर भी नगर और गाँवों के बीच की भूमि पर आज भी 5. _____ होती है।

SubQuestion No : 17

Q.17 रिक्त स्थान 2 की पूर्ति के लिए सबसे उपयुक्त विकल्प का चयन कीजिए।

- Ans
- 1. खेती
 - 2. खेल
 - 3. व्यवसाय
 - 4. नाटक

Question ID : 264330110982

Status : Not Answered

Chosen Option : --

Comprehension:

निम्नलिखित गद्यांश में कुछ शब्दों को हटा दिया गया है। दिए गए विकल्पों की सहायता से रिक्त स्थानों की पूर्ति कीजिए। प्रत्येक संख्या के लिए सबसे उपयुक्त विकल्प का चयन कीजिए।
 भारत कृषि प्रधान 1. _____ है। यहाँ की अधिकांश जनता 2. _____ करती है। कृषि ही उसकी जीविका का साधन है और यही व्यवसाय है। कृषक आज भी 3. _____ में रहता है। यद्यपि कुछ दशकों से यह दिखाई दे रहा है कि भारत का किसान अपना व्यवसाय छोड़कर 4. _____ की ओर भाग रहा है। फिर भी नगर और गाँवों के बीच की भूमि पर आज भी 5. _____ होती है।

SubQuestion No : 18

Q.18 रिक्त स्थान 3 की पूर्ति के लिए सबसे उपयुक्त विकल्प का चयन कीजिए।

- Ans 1. शहरों
 2. गाँवों
 3. विश्व
 4. देश

Question ID : 264330110983

Status : Not Answered

Chosen Option : --

Comprehension:

निम्नलिखित गद्यांश में कुछ शब्दों को हटा दिया गया है। दिए गए विकल्पों की सहायता से रिक्त स्थानों की पूर्ति कीजिए। प्रत्येक संख्या के लिए सबसे उपयुक्त विकल्प का चयन कीजिए।
 भारत कृषि प्रधान 1. _____ है। यहाँ की अधिकांश जनता 2. _____ करती है। कृषि ही उसकी जीविका का साधन है और यही व्यवसाय है। कृषक आज भी 3. _____ में रहता है। यद्यपि कुछ दशकों से यह दिखाई दे रहा है कि भारत का किसान अपना व्यवसाय छोड़कर 4. _____ की ओर भाग रहा है। फिर भी नगर और गाँवों के बीच की भूमि पर आज भी 5. _____ होती है।

SubQuestion No : 19

Q.19 रिक्त स्थान 4 की पूर्ति के लिए सबसे उपयुक्त विकल्प का चयन कीजिए।

- Ans 1. खेतों
 2. शहरों
 3. दूसरे देशों
 4. भूमि

Question ID : 264330110984

Status : Not Answered

Chosen Option : --

Comprehension:

निम्नलिखित गद्यांश में कुछ शब्दों को हटा दिया गया है। दिए गए विकल्पों की सहायता से रिक्त स्थानों की पूर्ति कीजिए। प्रत्येक संख्या के लिए सबसे उपयुक्त विकल्प का चयन कीजिए।
भारत कृषि प्रधान 1. _____ है। यहाँ की अधिकांश जनता 2. _____ करती है। कृषि ही उसकी जीविका का साधन है और यही व्यवसाय है। कृषक आज भी 3. _____ में रहता है। यद्यपि कुछ दशकों से यह दिखाई दे रहा है कि भारत का किसान अपना व्यवसाय छोड़कर 4. _____ की ओर भाग रहा है। फिर भी नगर और गाँवों के बीच की भूमि पर आज भी 5. _____ होती है।

SubQuestion No : 20

Q.20 रिक्त स्थान 5 की पूर्ति के लिए सबसे उपयुक्त विकल्प का चयन कीजिए।

- Ans**
- 1. खाद्यान्न
 - 2. देखरेख
 - 3. पूछताछ
 - 4. खेती

Question ID : 264330110985

Status : Not Answered

Chosen Option : --