

National Testing Agency

Question Paper Name :	B Ed Mathematics 9th March 2026 Shift 2
Subject Name :	B.Ed. Mathematics
Creation Date :	2026-03-09 16:27:55
Duration :	90
Total Marks :	300
Display Marks:	Yes

B.Ed. Mathematics

Group Number :	1
Group Id :	432449105
Group Maximum Duration :	0
Group Minimum Duration :	90
Show Attended Group? :	No
Edit Attended Group? :	No
Break time :	0
Group Marks :	300

B.Ed. Mathematics

Section Id :	432449199
Section Number :	1
Section type :	Online
Mandatory or Optional :	Mandatory
Number of Questions :	75
Number of Questions to be attempted :	75
Section Marks :	300
Maximum Instruction Time :	0
Sub-Section Number :	1
Sub-Section Id :	432449559
Question Shuffling Allowed :	Yes
Is Section Default? :	No

Question Number : 1 Question Id : 43244915086 Question Type : MCQ Option Shuffling : No Display Question Number : Yes Is Question Mandatory : No Single Line Question Option : No Option Orientation : Vertical

Which of the following represents the slope of the line passing through points (3, -2) and (3, 4) ?

- (1) 0
- (2) 1
- (3) $-\frac{3}{2}$
- (4) ∞

Options :

- 43244958901. 1
- 43244958902. 2
- 43244958903. 3
- 43244958904. 4

Question Number : 1 Question Id : 43244915086 Question Type : MCQ Option Shuffling : No Display Question Number : Yes Is Question Mandatory : No Single Line Question Option : No Option Orientation : Vertical

निम्नलिखित में से कौन उस रेखा की प्रवणता (ढाल) निरूपित करता है जो बिंदु (3, -2) और (3, 4) से गुजरती है ?

- (1) 0
- (2) 1
- (3) $-\frac{3}{2}$
- (4) ∞

Options :

43244958901. 1
 43244958902. 2
 43244958903. 3
 43244958904. 4

Question Number : 2 Question Id : 43244915087 Question Type : MCQ Option Shuffling : No Display Question Number : Yes Is Question Mandatory : No Single Line Question Option : No Option Orientation : Vertical

$$\begin{vmatrix} b+c & a-b & a \\ c+a & b-c & b \\ a+b & c-a & c \end{vmatrix} = ?$$

- (1) $3abc - a^3 - b^3 - c^3$
 (2) $3abc + a^3 + b^3 + c^3$
 (3) $3abc - a^3 + b^3 - c^3$
 (4) $3abc + a^3 - b^3 - c^3$

Options :

43244958905. 1
 43244958906. 2
 43244958907. 3
 43244958908. 4

Question Number : 2 Question Id : 43244915087 Question Type : MCQ Option Shuffling : No Display Question Number : Yes Is Question Mandatory : No Single Line Question Option : No Option Orientation : Vertical

$$\begin{vmatrix} b+c & a-b & a \\ c+a & b-c & b \\ a+b & c-a & c \end{vmatrix} = ?$$

- (1) $3abc - a^3 - b^3 - c^3$
 (2) $3abc + a^3 + b^3 + c^3$
 (3) $3abc - a^3 + b^3 - c^3$
 (4) $3abc + a^3 - b^3 - c^3$

Options :

43244958905. 1
 43244958906. 2
 43244958907. 3
 43244958908. 4

Question Number : 3 Question Id : 43244915088 Question Type : MCQ Option Shuffling : No Display Question Number : Yes Is Question Mandatory : No Single Line Question Option : No Option Orientation : Vertical

If $x = e^{\tan^{-1}\left(\frac{y-x^2}{x}\right)}$ then $\frac{dy}{dx} = ?$

- (1) $\sec^2(\log_e x) + \tan(\log_e x)$
 (2) $2x + \sec^2(\log_e x) + \tan(\log_e x)$
 (3) $-2x + \sec^2(\log_e x) + \tan(\log_e x)$
 (4) $2x + \sec(\log_e x) + \tan(\log_e x)$

Options :

43244958909. 1
 43244958910. 2
 43244958911. 3
 43244958912. 4

Question Number : 3 Question Id : 43244915088 Question Type : MCQ Option Shuffling : No Display Question Number : Yes Is Question Mandatory : No Single Line Question Option : No Option Orientation : Vertical

यदि $x = e^{\tan^{-1}\left(\frac{y-x^2}{x}\right)}$ हैं, तो $\frac{dy}{dx} = ?$

- (1) $\sec^2(\log_e x) + \tan(\log_e x)$
- (2) $2x + \sec^2(\log_e x) + \tan(\log_e x)$
- (3) $-2x + \sec^2(\log_e x) + \tan(\log_e x)$
- (4) $2x + \sec(\log_e x) + \tan(\log_e x)$

Options :

43244958909. 1
43244958910. 2
43244958911. 3
43244958912. 4

Question Number : 4 Question Id : 43244915089 Question Type : MCQ Option Shuffling : No Display Question Number : Yes Is Question Mandatory : No Single Line Question Option : No Option Orientation : Vertical

If $y = e^{m \sin^{-1} x}$ and y_n indicates n^{th} derivative of y with respect to x , then which of the following relation is true ?

- (1) $(1+x^2)y_{n+2} - (2n+1)x y_{n+1} - (n^2+m^2)y_n = 0$
- (2) $(1-x^2)y_{n+2} + (2n+1)x y_{n+1} - (n^2+m^2)y_n = 0$
- (3) $(1-x^2)y_{n+2} + (2n+1)x y_{n+1} + (n^2+m^2)y_n = 0$
- (4) $(1-x^2)y_{n+2} - (2n+1)x y_{n+1} - (n^2+m^2)y_n = 0$

Options :

43244958913. 1
43244958914. 2
43244958915. 3
43244958916. 4

Question Number : 4 Question Id : 43244915089 Question Type : MCQ Option Shuffling : No Display Question Number : Yes Is Question Mandatory : No Single Line Question Option : No Option Orientation : Vertical

यदि $y = e^{m \sin^{-1} x}$ है और y_n, y का x के सापेक्ष $n^{\text{वें}}$ अवकलज को सूचित करता है, तो निम्नलिखित में से कौन सा संबंध सत्य है ?

- (1) $(1+x^2)y_{n+2} - (2n+1)x y_{n+1} - (n^2+m^2)y_n = 0$
- (2) $(1-x^2)y_{n+2} + (2n+1)x y_{n+1} - (n^2+m^2)y_n = 0$
- (3) $(1-x^2)y_{n+2} + (2n+1)x y_{n+1} + (n^2+m^2)y_n = 0$
- (4) $(1-x^2)y_{n+2} - (2n+1)x y_{n+1} - (n^2+m^2)y_n = 0$

Options :

43244958913. 1
43244958914. 2
43244958915. 3
43244958916. 4

Question Number : 5 Question Id : 43244915090 Question Type : MCQ Option Shuffling : No Display Question Number : Yes Is Question Mandatory : No Single Line Question Option : No Option Orientation : Vertical

Which of the following is derivative of $\sqrt{a^{\sqrt{x}}}$ with respect to x ?

(1) $\frac{\sqrt{a^{\sqrt{x}}}}{2\sqrt{x}}$

(2) $\frac{\sqrt{a^{\sqrt{x}} \log_e a}}{2\sqrt{x}}$

(3) $\frac{a^{\sqrt{x}} \sqrt{a^{\sqrt{x}} \log_e a}}{2\sqrt{x}}$

(4) $\frac{\sqrt{a^{\sqrt{x}}}}{4\sqrt{x} \log_a e}$

Options :

43244958917. 1

43244958918. 2

43244958919. 3

43244958920. 4

Question Number : 5 Question Id : 43244915090 Question Type : MCQ Option Shuffling : No Display Question Number : Yes Is Question Mandatory : No Single Line Question Option : No Option Orientation : Vertical

निम्नलिखित में से कौन $\sqrt{a^{\sqrt{x}}}$ का x के सापेक्ष में अवकलज हैं ?

(1) $\frac{\sqrt{a^{\sqrt{x}}}}{2\sqrt{x}}$

(2) $\frac{\sqrt{a^{\sqrt{x}} \log_e a}}{2\sqrt{x}}$

(3) $\frac{a^{\sqrt{x}} \sqrt{a^{\sqrt{x}} \log_e a}}{2\sqrt{x}}$

(4) $\frac{\sqrt{a^{\sqrt{x}}}}{4\sqrt{x} \log_a e}$

Options :

43244958917. 1

43244958918. 2

43244958919. 3

43244958920. 4

Question Number : 6 Question Id : 43244915091 Question Type : MCQ Option Shuffling : No Display Question Number : Yes Is Question Mandatory : No Single Line Question Option : No Option Orientation : Vertical

If a, b, c are in arithmetic progression, then which of the following is the value of the following ?

$$\begin{vmatrix} x+2 & x+3 & x+2a \\ x+3 & x+4 & x+2b \\ x+4 & x+5 & x+2c \end{vmatrix}$$

(1) $2x$

(2) x

(3) 1

(4) 0

Options :

43244958921. 1

43244958922. 2

43244958923. 3

43244958924. 4

Question Number : 6 Question Id : 43244915091 Question Type : MCQ Option Shuffling : No Display Question Number : Yes Is Question Mandatory : No Single Line Question Option : No Option Orientation : Vertical

यदि a, b, c समानांतर श्रेणी में हैं तो निम्नलिखित में से कौन

$$\begin{vmatrix} x+2 & x+3 & x+2a \\ x+3 & x+4 & x+2b \\ x+4 & x+5 & x+2c \end{vmatrix} \text{ का मान है?}$$

- (1) $2x$
- (2) x
- (3) 1
- (4) 0

Options :

43244958921. 1

43244958922. 2

43244958923. 3

43244958924. 4

Question Number : 7 Question Id : 43244915092 Question Type : MCQ Option Shuffling : No Display Question Number : Yes Is Question Mandatory : No Single Line Question Option : No Option Orientation : Vertical

If each side of a rectangle is increased by 10%, then which of the following will represent the increased area of a rectangle.

- (1) 28%
- (2) 21%
- (3) 22%
- (4) 25%

Options :

43244958925. 1

43244958926. 2

43244958927. 3

43244958928. 4

Question Number : 7 Question Id : 43244915092 Question Type : MCQ Option Shuffling : No Display Question Number : Yes Is Question Mandatory : No Single Line Question Option : No Option Orientation : Vertical

यदि एक आयत की प्रत्येक भुजा 10% बढ़ा दी जाए, तो निम्नलिखित में से कौन आयत के बढ़े हुए क्षेत्रफल को निरूपित करेगा?

- (1) 28%
- (2) 21%
- (3) 22%
- (4) 25%

Options :

43244958925. 1

43244958926. 2

43244958927. 3

43244958928. 4

Question Number : 8 Question Id : 43244915093 Question Type : MCQ Option Shuffling : No Display Question Number : Yes Is Question Mandatory : No Single Line Question Option : No Option Orientation : Vertical

On adding any three consecutive even numbers, the summation (result) would always be divisible by which of the following ?

- (1) 5
- (2) 7
- (3) 6
- (4) 11

Options :

- 43244958929. 1
- 43244958930. 2
- 43244958931. 3
- 43244958932. 4

Question Number : 8 Question Id : 43244915093 Question Type : MCQ Option Shuffling : No Display Question Number : Yes Is Question Mandatory : No Single Line Question Option : No Option Orientation : Vertical

किन्ही तीन क्रमागत सम संख्याओं को जोड़ने पर उनका योग हमेशा निम्नलिखित में से किस संख्या से विभाजित होगा ?

- (1) 5
- (2) 7
- (3) 6
- (4) 11

Options :

- 43244958929. 1
- 43244958930. 2
- 43244958931. 3
- 43244958932. 4

Question Number : 9 Question Id : 43244915094 Question Type : MCQ Option Shuffling : No Display Question Number : Yes Is Question Mandatory : No Single Line Question Option : No Option Orientation : Vertical

Which of the following is equation of hyperbola with vertices $(\pm 2, 0)$ and foci $(\pm 3, 0)$?

- (1) $\frac{x^2}{4} - \frac{y^2}{9} = 1$
- (2) $\frac{x^2}{4} + \frac{y^2}{9} = 1$
- (3) $\frac{x^2}{4} - \frac{y^2}{5} = 1$
- (4) $\frac{x^2}{5} - \frac{y^2}{4} = 1$

Options :

- 43244958933. 1
- 43244958934. 2
- 43244958935. 3
- 43244958936. 4

Question Number : 9 Question Id : 43244915094 Question Type : MCQ Option Shuffling : No Display Question Number : Yes Is Question Mandatory : No Single Line Question Option : No Option Orientation : Vertical

निम्नलिखित में से कौन शीर्षों $(\pm 2, 0)$ और नाभियों (फोकस) $(\pm 3, 0)$ के अतिपरवलय का समीकरण है?

(1) $\frac{x^2}{4} - \frac{y^2}{9} = 1$

(2) $\frac{x^2}{4} + \frac{y^2}{9} = 1$

(3) $\frac{x^2}{4} - \frac{y^2}{5} = 1$

(4) $\frac{x^2}{5} - \frac{y^2}{4} = 1$

Options :

43244958933. 1

43244958934. 2

43244958935. 3

43244958936. 4

Question Number : 10 Question Id : 43244915095 Question Type : MCQ Option Shuffling : No Display Question Number : Yes Is Question Mandatory : No Single Line Question Option : No Option Orientation : Vertical

The normal at the point $(1, 1)$ on the $2y + x^2 = 3$ is ?

(1) $x + y = 0$

(2) $x - y = 0$

(3) $x + y + 1 = 0$

(4) $x + y - 1 = 0$

Options :

43244958937. 1

43244958938. 2

43244958939. 3

43244958940. 4

Question Number : 10 Question Id : 43244915095 Question Type : MCQ Option Shuffling : No Display Question Number : Yes Is Question Mandatory : No Single Line Question Option : No Option Orientation : Vertical

$2y + x^2 = 3$ पर, बिंदु $(1, 1)$ पर, अभिलंब है ?

(1) $x + y = 0$

(2) $x - y = 0$

(3) $x + y + 1 = 0$

(4) $x + y - 1 = 0$

Options :

43244958937. 1

43244958938. 2

43244958939. 3

43244958940. 4

Question Number : 11 Question Id : 43244915096 Question Type : MCQ Option Shuffling : No Display Question Number : Yes Is Question Mandatory : No Single Line Question Option : No Option Orientation : Vertical

Given below are two statements : one is labelled as **Assertion (A)** and the other is labelled as **Reason (R)**.

Assertion (A) : The function $f(x) = x|x|$ is continuous at $x=0$ and derivative of f also exists at $x=0$.

Reason (R) : It is necessary and sufficient that every continuous function is derivable at any point.

In the light of the above statements, choose the **most appropriate answer** from the options given below :

- (1) Both (A) and (R) are correct and (R) is the correct explanation of (A)
- (2) Both (A) and (R) are correct but (R) is **not** the correct explanation of (A)
- (3) (A) is correct but (R) is not correct
- (4) (A) is not correct but (R) is correct

Options :

43244958941. 1
43244958942. 2
43244958943. 3
43244958944. 4

Question Number : 11 Question Id : 43244915096 Question Type : MCQ Option Shuffling : No Display Question Number : Yes Is Question Mandatory : No Single Line Question Option : No Option Orientation : Vertical

नीचे दो कथन दिए गए हैं: एक **अभिकथन (A)** के रूप में लिखित है तो दूसरा उसके **कारण (R)** के रूप में है।

अभिकथन (A) : फलन $f(x) = x|x|$, का $x=0$ पर अवकलज भी है और वह उस पर संतत है।

कारण (R) : यह आवश्यक और पर्याप्त हैं कि प्रत्येक संतत फलन का किसी बिंदु पर अवकलज होता है।

उपरोक्त कथन के आलोक में, नीचे दिए गए विकल्पों में से **सबसे उपयुक्त उत्तर** का चयन कीजिए :

- (1) दोनों (A) और (R) सही हैं और (R), (A) की सही व्याख्या है
- (2) दोनों (A) और (R) सही हैं लेकिन (R), (A) की सही व्याख्या **नहीं** है
- (3) (A) सही है, लेकिन (R) सही नहीं है
- (4) (A) सही नहीं है, लेकिन (R) सही है

Options :

43244958941. 1
43244958942. 2
43244958943. 3
43244958944. 4

Question Number : 12 Question Id : 43244915097 Question Type : MCQ Option Shuffling : No Display Question Number : Yes Is Question Mandatory : No Single Line Question Option : No Option Orientation : Vertical

Given below are two statements : one is labelled as **Assertion (A)** and the other is labelled as **Reason (R)**.

Assertion (A) : The angle between the pair of lines

$$\frac{x+3}{3} = \frac{y-1}{5} = \frac{z+3}{4} \text{ and } \frac{x+1}{1} = \frac{y-4}{1} = \frac{z-5}{2} \text{ is } \cos^{-1}\left(\frac{8\sqrt{3}}{15}\right).$$

Reason (R) : The angle between the two lines is $\cos\theta = \left| \frac{a_1a_2 + b_1b_2 + c_1c_2}{\sqrt{(a_1^2 + b_1^2 + c_1^2)(a_2^2 + b_2^2 + c_2^2)}} \right|$ where

a_1, b_1, c_1 and a_2, b_2, c_2 are direction cosines of line L_1 and L_2 respectively.

In the light of the above statements, choose the **most appropriate answer** from the options given below :

- (1) Both (A) and (R) are correct and (R) is the correct explanation of (A)
- (2) Both (A) and (R) are correct but (R) is **not** the correct explanation of (A)
- (3) (A) is correct but (R) is not correct
- (4) (A) is not correct but (R) is correct

Options :

43244958945. 1
43244958946. 2
43244958947. 3
43244958948. 4

Question Number : 12 Question Id : 43244915097 Question Type : MCQ Option Shuffling : No Display Question Number : Yes Is Question Mandatory : No Single Line Question Option : No Option Orientation : Vertical

नीचे दो कथन दिए गए हैं: एक अभिकथन (A) के रूप में लिखित है तो दूसरा उसके कारण (R) के रूप में है।

अभिकथन (A) : रेखाओं के युग्म

$$\frac{x+3}{3} = \frac{y-1}{5} = \frac{z+3}{4} \text{ और } \frac{x+1}{1} = \frac{y-4}{1} = \frac{z-5}{2}, \text{ के बीच का कोण } \cos^{-1}\left(\frac{8\sqrt{3}}{15}\right) \text{ हैं।}$$

कारण (R) : दो रेखाओं के बीच कोण $\cos\theta = \left| \frac{a_1a_2 + b_1b_2 + c_1c_2}{\sqrt{(a_1^2 + b_1^2 + c_1^2)(a_2^2 + b_2^2 + c_2^2)}} \right|$ हैं

यहाँ a_1, b_1, c_1 और a_2, b_2, c_2 रेखा L_1 और L_2 के क्रमशः दिक् सूचक हैं।

उपरोक्त कथन के आलोक में, नीचे दिए गए विकल्पों में से सबसे उपयुक्त उत्तर का चयन कीजिए :

- (1) दोनों (A) और (R) सही हैं और (R), (A) की सही व्याख्या है
- (2) दोनों (A) और (R) सही हैं लेकिन (R), (A) की सही व्याख्या नहीं है
- (3) (A) सही है, लेकिन (R) सही नहीं है
- (4) (A) सही नहीं है, लेकिन (R) सही है

Options :

43244958945. 1
43244958946. 2
43244958947. 3
43244958948. 4

Question Number : 13 Question Id : 43244915098 Question Type : MCQ Option Shuffling : No Display Question Number : Yes Is Question Mandatory : No Single Line Question Option : No Option Orientation : Vertical

Given below are two statements : one is labelled as Assertion (A) and the other is labelled as Reason (R).

Assertion (A) : A function $f: \mathbb{N} \rightarrow \mathbb{N}$, defined as $f(x) = \begin{cases} x+1, & \text{if } x \text{ is odd} \\ x-1, & \text{if } x \text{ is even} \end{cases}$; is not surjective.

Reason (R) : A function $f: X \rightarrow Y$ is said to be surjective if every element of Y is the image of some elements of X under f , i.e. for every $y \in Y, \exists x \in X, \text{ s.t. } f(x) = y$.

In the light of the above statements, choose the most appropriate answer from the options given below :

- (1) Both (A) and (R) are correct and (R) is the correct explanation of (A)
- (2) Both (A) and (R) are correct but (R) is not the correct explanation of (A)
- (3) (A) is correct but (R) is not correct
- (4) (A) is not correct but (R) is correct

Options :

43244958949. 1
43244958950. 2
43244958951. 3
43244958952. 4

Question Number : 13 Question Id : 43244915098 Question Type : MCQ Option Shuffling : No Display Question Number : Yes Is Question Mandatory : No Single Line Question Option : No Option Orientation : Vertical

नीचे दो कथन दिए गए हैं: एक **अभिकथन (A)** के रूप में लिखित है तो दूसरा उसके **कारण (R)** के रूप में है।

अभिकथन (A) : एक फलन $f: \mathbb{N} \rightarrow \mathbb{N}$ को परिभाषित किया जाता है ऐसे :

$$f(x) = \begin{cases} x + 1, & \text{यदि } x \text{ विषम है} \\ x - 1, & \text{यदि } x \text{ सम है} \end{cases} ; \text{ यह आच्छादी नहीं है।}$$

कारण (R) : फलन $f: X \rightarrow Y$ को आच्छादी कहते हैं यदि f के अंतर्गत, Y का हर अवयव X के किसी अवयव का प्रतिबिंब है i.e. प्रत्येक $y \in Y \exists x \in X, \text{ s.t. } f(x) = y$.

उपरोक्त कथन के आलोक में, नीचे दिए गए विकल्पों में से **सबसे उपयुक्त उत्तर** का चयन कीजिए :

- (1) दोनों (A) और (R) सही हैं और (R), (A) की सही व्याख्या है
- (2) दोनों (A) और (R) सही हैं लेकिन (R), (A) की सही व्याख्या नहीं है
- (3) (A) सही है, लेकिन (R) सही नहीं है
- (4) (A) सही नहीं है, लेकिन (R) सही है

Options :

43244958949. 1

43244958950. 2

43244958951. 3

43244958952. 4

Question Number : 14 Question Id : 43244915099 Question Type : MCQ Option Shuffling : No Display Question Number : Yes Is Question Mandatory : No Single Line Question Option : No Option Orientation : Vertical

If one of the roots of equation $ax^4 + bx^3 + cx^2 + dx + e = 0$ is $\sqrt{2} + \sqrt{-3}$ then arrange the following in non-decreasing order ($a \neq 0$).

- A. a
- B. b
- C. c
- D. d
- E. e

Choose the **correct** answer from the options given below :

- (1) B, D, A, E, C
- (2) D, B, A, E, C
- (3) B, A, D, C, E
- (4) B, D, A, C, E

Options :

43244958953. 1

43244958954. 2

43244958955. 3

43244958956. 4

Question Number : 14 Question Id : 43244915099 Question Type : MCQ Option Shuffling : No Display Question Number : Yes Is Question Mandatory : No Single Line Question Option : No Option Orientation : Vertical

यदि समीकरण $ax^4 + bx^3 + cx^2 + dx + e = 0$ का एक मूल $\sqrt{2} + \sqrt{-3}$ हैं तो निम्नलिखित को बढ़ते क्रम में व्यवस्थित करें ($a \neq 0$).

- A. a
- B. b
- C. c
- D. d
- E. e

नीचे दिए गए विकल्पों में से सही उत्तर का चयन कीजिए :

- (1) B, D, A, E, C
- (2) D, B, A, E, C
- (3) B, A, D, C, E
- (4) B, D, A, C, E

Options :

- 43244958953. 1
- 43244958954. 2
- 43244958955. 3
- 43244958956. 4

Question Number : 15 Question Id : 43244915100 Question Type : MCQ Option Shuffling : No Display Question Number : Yes Is Question Mandatory : No Single Line Question Option : No Option Orientation : Vertical

Arrange the following in increasing order as per the last digit :

- A. 2^{444}
- B. 17^{10}
- C. $13^{10} + 2$
- D. $1 + 2 + 3 + 4 + \dots + 100$
- E. $11! + 2$

Choose the correct answer from the options given below :

- (1) A, E, C, B, D
- (2) D, C, E, A, B
- (3) D, A, E, C, B
- (4) D, E, C, B, A

Options :

- 43244958957. 1
- 43244958958. 2
- 43244958959. 3
- 43244958960. 4

Question Number : 15 Question Id : 43244915100 Question Type : MCQ Option Shuffling : No Display Question Number : Yes Is Question Mandatory : No Single Line Question Option : No Option Orientation : Vertical

निम्नलिखित को अन्तिम अंक के अनुसार बढ़ते क्रम में व्यवस्थित करे।

- A. 2^{444}
- B. 17^{10}
- C. $13^{10} + 2$
- D. $1 + 2 + 3 + 4 + \dots + 100$
- E. $11! + 2$

नीचे दिए गए विकल्पों में से सही उत्तर का चयन कीजिए :

- (1) A, E, C, B, D
- (2) D, C, E, A, B
- (3) D, A, E, C, B
- (4) D, E, C, B, A

Options :

- 43244958957. 1
- 43244958958. 2

43244958959. 3

43244958960. 4

Question Number : 16 Question Id : 43244915101 Question Type : MCQ Option Shuffling : No Display Question Number : Yes Is Question Mandatory : No Single Line Question Option : No Option Orientation : Vertical

Arrange the following in ascending order based on their values:

A. $\int_0^{\pi} \frac{1}{1 + \sin x} dx$

B. $\int_1^2 x^2 dx$

C. $\int_0^{\frac{\pi}{2}} \sin x dx$

D. $\int_{-\frac{\pi}{2}}^{\frac{\pi}{2}} \sin^3 x dx$

Choose the **correct** answer from the options given below :

- (1) C, D, B, A
- (2) D, C, A, B
- (3) D, C, B, A
- (4) C, D, A, B

Options :

43244958961. 1

43244958962. 2

43244958963. 3

43244958964. 4

Question Number : 16 Question Id : 43244915101 Question Type : MCQ Option Shuffling : No Display Question Number : Yes Is Question Mandatory : No Single Line Question Option : No Option Orientation : Vertical

निम्नलिखित को उनके मानों के आधार पर बढ़ते क्रम में व्यवस्थित करें ?

A. $\int_0^{\pi} \frac{1}{1 + \sin x} dx$

B. $\int_1^2 x^2 dx$

C. $\int_0^{\frac{\pi}{2}} \sin x dx$

D. $\int_{-\frac{\pi}{2}}^{\frac{\pi}{2}} \sin^3 x dx$

नीचे दिए गए विकल्पों में से सही उत्तर का चयन कीजिए :

- (1) C, D, B, A
- (2) D, C, A, B
- (3) D, C, B, A
- (4) C, D, A, B

Options :

43244958961. 1

43244958962. 2

43244958963. 3

43244958964. 4

Question Number : 17 Question Id : 43244915102 Question Type : MCQ Option Shuffling : No Display Question Number : Yes Is Question Mandatory : No Single Line Question Option : No Option Orientation : Vertical

Arrange in increasing order on the basis of order of Differential equation.

A. $\frac{d^4 y}{dx^4} + \sin(y''') = 0$

B. $\left(\frac{ds}{dt}\right)^4 + 3s \frac{d^2 s}{dt^2} = 0$

C. $y''' + 2y'' + y' = 0$

D. $y' + y = e^x$

Choose the **correct** answer from the options given below :

- (1) D, B, A, C
- (2) D, B, C, A
- (3) B, D, C, A
- (4) B, D, A, C

Options :

43244958965. 1

43244958966. 2

43244958967. 3

43244958968. 4

Question Number : 17 Question Id : 43244915102 Question Type : MCQ Option Shuffling : No Display Question Number : Yes Is Question Mandatory : No Single Line Question Option : No Option Orientation : Vertical

अवकल समीकरणों के कोटि के आधार पर, निम्नलिखित को बढ़ते क्रम में व्यवस्थित करें :

A. $\frac{d^4 y}{dx^4} + \sin(y''') = 0$

B. $\left(\frac{ds}{dt}\right)^4 + 3s \frac{d^2 s}{dt^2} = 0$

C. $y''' + 2y'' + y' = 0$

D. $y' + y = e^x$

नीचे दिए गए विकल्पों में से सही उत्तर का चयन कीजिए :

- (1) D, B, A, C
- (2) D, B, C, A
- (3) B, D, C, A
- (4) B, D, A, C

Options :

43244958965. 1
43244958966. 2
43244958967. 3
43244958968. 4

Question Number : 18 Question Id : 43244915103 Question Type : MCQ Option Shuffling : No Display Question Number : Yes Is Question Mandatory : No Single Line Question Option : No Option Orientation : Vertical

The function $f(x) = |x-2| + |x| + |x+2|$ is not derivative at _____.

- A. $x \in \{-1, 0, -2\}$
- B. $x \in \{0, 2\}$
- C. $x \in \{-2, 0\}$
- D. $x \in [-2, 2]$
- E. $x \in [0, 2]$

Choose the **correct** answer from the options given below :

- (1) A, B and C only
- (2) D and E only
- (3) A, B, C and E only
- (4) B and C only

Options :

43244958969. 1
43244958970. 2
43244958971. 3
43244958972. 4

Question Number : 18 Question Id : 43244915103 Question Type : MCQ Option Shuffling : No Display Question Number : Yes Is Question Mandatory : No Single Line Question Option : No Option Orientation : Vertical

फलन $f(x) = |x-2| + |x| + |x+2|$ का अवकलज किस पर नहीं है?

- A. $x \in \{-1, 0, -2\}$
- B. $x \in \{0, 2\}$
- C. $x \in \{-2, 0\}$
- D. $x \in [-2, 2]$
- E. $x \in [0, 2]$

नीचे दिए गए विकल्पों में से सही उत्तर का चयन कीजिए :

- (1) केवल A, B और C
- (2) केवल D और E
- (3) केवल A, B, C और E
- (4) केवल B और C

Options :

43244958969. 1
43244958970. 2
43244958971. 3
43244958972. 4

Question Number : 19 Question Id : 43244915104 Question Type : MCQ Option Shuffling : No Display Question Number : Yes Is Question Mandatory : No Single Line Question Option : No Option Orientation : Vertical

Which of the following is/are solution of the LPP ?

$$\text{Min } Z = 12x + 9y$$

$$\text{Subject to } x + 2y \leq 40$$

$$3x + y \geq 30$$

$$4x + 3y \geq 60$$

$$x, y \geq 0$$

- A. (15, 0)
B. (40, 0)
C. (4, 18)
D. (6, 12)
E. (10.5, 6)

Choose the **correct** answer from the options given below :

- (1) A only
(2) A and D only
(3) A, D and E only
(4) B and C only

Options :

43244958973. 1
43244958974. 2
43244958975. 3
43244958976. 4

Question Number : 19 Question Id : 43244915104 Question Type : MCQ Option Shuffling : No Display Question Number : Yes Is Question Mandatory : No Single Line Question Option : No Option Orientation : Vertical

निम्नलिखित में से कौन LPP के हल हैं :

$$\text{Min } Z = 12x + 9y$$

$$\text{इनशर्तों के तहत (अधीन हैं) } x + 2y \leq 40$$

$$3x + y \geq 30$$

$$4x + 3y \geq 60$$

$$x, y \geq 0$$

- A. (15, 0)
B. (40, 0)
C. (4, 18)
D. (6, 12)
E. (10.5, 6)

नीचे दिए गए विकल्पों में से **सही** उत्तर का चयन कीजिए :

- (1) केवल A
(2) केवल A और D
(3) केवल A, D और E
(4) केवल B और C

Options :

43244958973. 1
43244958974. 2
43244958975. 3
43244958976. 4

Question Number : 20 Question Id : 43244915105 Question Type : MCQ Option Shuffling : No Display Question Number : Yes Is Question Mandatory : No Single Line Question Option : No Option Orientation : Vertical

Which of the following statements are true ?

A. $2^{4n} - 1$ is divisible by 15.

B. 5, 12 and 13 is Pythagorean triplet.

C. $n^7 - n$ is divisible by 42.

D. $1^2 + 2^2 + 3^2 + \dots + n^2 = \left\{ \frac{n(n+1)}{2} \right\}^2$

Choose the correct answer from the options given below :

(1) A and B only

(2) A, B and D only

(3) A, B and C only

(4) A, C and D only

Options :

43244958977. 1

43244958978. 2

43244958979. 3

43244958980. 4

Question Number : 20 Question Id : 43244915105 Question Type : MCQ Option Shuffling : No Display Question Number : Yes Is Question Mandatory : No Single Line Question Option : No Option Orientation : Vertical

निम्नलिखित में से कौन से कथन सत्य हैं ?

A. $2^{4n} - 1$, 15 से विभाज्य है।

B. 5, 12 और 13 पाइथागोरस त्रिक हैं।

C. $n^7 - n$, 42 से विभाज्य हैं।

D. $1^2 + 2^2 + 3^2 + \dots + n^2 = \left\{ \frac{n(n+1)}{2} \right\}^2$

नीचे दिए गए विकल्पों में से सही उत्तर का चयन कीजिए :

(1) केवल A और B

(2) केवल A, B और D

(3) केवल A, B और C

(4) केवल A, C और D

Options :

43244958977. 1

43244958978. 2

43244958979. 3

43244958980. 4

Question Number : 21 Question Id : 43244915106 Question Type : MCQ Option Shuffling : No Display Question Number : Yes Is Question Mandatory : No Single Line Question Option : No Option Orientation : Vertical

Which of the following statements are true ?

- A. For any two vectors \vec{a} and \vec{b} , $|\vec{a} + \vec{b}| \leq |\vec{a}| + |\vec{b}|$.
- B. Scalar product of two non-zero vectors might be zero.
- C. For any two vectors \vec{a} and \vec{b} , $|\vec{a} \cdot \vec{b}| \leq |\vec{a}| |\vec{b}|$.
- D. Cross product of two vectors is not a vector.
- E. Dot product of two vectors is a scalar.

Choose the **correct** answer from the options given below :

- (1) A, B, C only
- (2) B, C, D, E only
- (3) A, B, C, E only
- (4) A, B, C, D only

Options :

43244958981. 1

43244958982. 2

43244958983. 3

43244958984. 4

Question Number : 21 Question Id : 43244915106 Question Type : MCQ Option Shuffling : No Display Question Number : Yes Is Question Mandatory : No Single Line Question Option : No Option Orientation : Vertical

निम्नलिखित में से कौन से कथन सत्य है ?

- A. किन्हीं दो सदिशों \vec{a} और \vec{b} के लिए, $|\vec{a} + \vec{b}| \leq |\vec{a}| + |\vec{b}|$ ।
- B. दो शून्येतर सदिशों के लिए, अदिश गुणनफल शून्य हो सकता है।
- C. किन्हीं दो सदिशों \vec{a} और \vec{b} के लिए, $|\vec{a} \cdot \vec{b}| \leq |\vec{a}| |\vec{b}|$ ।
- D. दो सदिशों का, सदिश गुणनफल, एक सदिश नहीं है।
- E. दो सदिशों का, अदिश गुणनफल, एक अदिश है।

नीचे दिए गए विकल्पों में से **सही उत्तर** का चयन कीजिए :

- (1) केवल A, B, C
- (2) केवल B, C, D, E
- (3) केवल A, B, C, E
- (4) केवल A, B, C, D

Options :

43244958981. 1

43244958982. 2

43244958983. 3

43244958984. 4

Question Number : 22 Question Id : 43244915107 Question Type : MCQ Option Shuffling : No Display Question Number : Yes Is Question Mandatory : No Single Line Question Option : No Option Orientation : Vertical

Match List - I with List - II. Suppose \vec{a} and \vec{b} are vectors then match the following.

List - I

List - II

A. \vec{a} and \vec{b} are perpendicular if

I. $\vec{a} \cdot \vec{b} = |\vec{a}| |\vec{b}|$

B. If angle between \vec{a} and \vec{b} is 0 (zero) then

II. $\vec{a} \cdot \vec{b} = -|\vec{a}| |\vec{b}|$

C. If angle between \vec{a} and \vec{b} is π , then

III. $\vec{a} \cdot \vec{b} = \cos\theta$

D. If \vec{a} and \vec{b} are unit vectors, then

IV. $\vec{a} \cdot \vec{b} = 0$

Choose the **correct** answer from the options given below :

- (1) A-IV, B-II, C-I, D-III
- (2) A-IV, B-I, C-II, D-III
- (3) A-I, B-IV, C-II, D-III
- (4) A-I, B-II, C-IV, D-III

Options :

43244958985. 1
43244958986. 2
43244958987. 3
43244958988. 4

Question Number : 22 Question Id : 43244915107 Question Type : MCQ Option Shuffling : No Display Question Number : Yes Is Question Mandatory : No Single Line Question Option : No Option Orientation : Vertical

सूची-I से सूची-II का मिलान कीजिए मान लो \vec{a} और \vec{b} दो सदिश हैं, तो निम्नलिखित को सुमेलित करें

सूची-I

सूची-II

A. \vec{a} और \vec{b} लम्बवत है यदि

I. $\vec{a} \cdot \vec{b} = |\vec{a}| |\vec{b}|$

B. यदि \vec{a} और \vec{b} के बीच कोण 0 (शून्य) है, तो

II. $\vec{a} \cdot \vec{b} = -|\vec{a}| |\vec{b}|$

C. यदि \vec{a} और \vec{b} के बीच कोण π है, तो

III. $\vec{a} \cdot \vec{b} = \cos\theta$

D. यदि \vec{a} और \vec{b} एकांक सदिश हैं, तो

IV. $\vec{a} \cdot \vec{b} = 0$

नीचे दिए गए विकल्पों में से **सही** उत्तर का चयन कीजिए :

- (1) A-IV, B-II, C-I, D-III
- (2) A-IV, B-I, C-II, D-III
- (3) A-I, B-IV, C-II, D-III
- (4) A-I, B-II, C-IV, D-III

Options :

43244958985. 1
43244958986. 2
43244958987. 3
43244958988. 4

Question Number : 23 Question Id : 43244915108 Question Type : MCQ Option Shuffling : No Display Question Number : Yes Is Question Mandatory : No Single Line Question Option : No Option Orientation : Vertical

Match List - I with List - II. Suppose A, B and C are three non-empty sets.

List - I	List - II
A. De-Morgan's Law	I. $A \setminus B = A \cap B^c$
B. Associative Law	II. $(A \cup B)^c = A^c \cap B^c$
C. Distributive Law	III. $A \cup (B \cap C) = (A \cup B) \cap (A \cup C)$
D. Difference of sets Law	IV. $(A \cup B) \cup C = A \cup (B \cup C)$

Choose the correct answer from the options given below :

- (1) A-I, B-II, C-III, D-IV
- (2) A-I, B-IV, C-III, D-II
- (3) A-II, B-IV, C-III, D-I
- (4) A-IV, B-III, C-II, D-I

Options :

43244958989. 1

43244958990. 2

43244958991. 3

43244958992. 4

Question Number : 23 Question Id : 43244915108 Question Type : MCQ Option Shuffling : No Display Question Number : Yes Is Question Mandatory : No Single Line Question Option : No Option Orientation : Vertical

सूची-I से सूची-II का मिलान कीजिए : माना कि A, B और C रिक्त समुच्चय नहीं हैं।

सूची-I	सूची-II
A. डी-मोरगन का नियम	I. $A \setminus B = A \cap B^c$
B. सहचर्य नियम	II. $(A \cup B)^c = A^c \cap B^c$
C. वितरण नियम	III. $A \cup (B \cap C) = (A \cup B) \cap (A \cup C)$
D. समुच्चयों के अंतर का नियम	IV. $(A \cup B) \cup C = A \cup (B \cup C)$

नीचे दिए गए विकल्पों में से सही उत्तर का चयन कीजिए :

- (1) A-I, B-II, C-III, D-IV
- (2) A-I, B-IV, C-III, D-II
- (3) A-II, B-IV, C-III, D-I
- (4) A-IV, B-III, C-II, D-I

Options :

43244958989. 1

43244958990. 2

43244958991. 3

43244958992. 4

Question Number : 24 Question Id : 43244915109 Question Type : MCQ Option Shuffling : No Display Question Number : Yes Is Question Mandatory : No Single Line Question Option : No Option Orientation : Vertical

Match List - I with List - II.

List - I

List - II

- A. Domain of function $f(x) = \frac{1}{\sqrt{x^2 - 1}}$ I. $[2, \infty)$
- B. Range of function $f(x) = \frac{1}{\sqrt{x^2 - 1}}$ II. $(-\infty, -1) \cup (1, \infty)$
- C. Domain of function $f(x) = \sqrt{x-2}$ III. $(0, \infty)$
- D. Range of function $f(x) = \sqrt{x-2}$ IV. $[0, \infty)$

Choose the correct answer from the options given below :

- (1) A-II, B-III, C-I, D-IV
(2) A-III, B-II, C-I, D-IV
(3) A-III, B-II, C-IV, D-I
(4) A-II, B-III, C-IV, D-I

Options :

43244958993. 1
43244958994. 2
43244958995. 3
43244958996. 4

Question Number : 24 Question Id : 43244915109 Question Type : MCQ Option Shuffling : No Display Question Number : Yes Is Question Mandatory : No Single Line Question Option : No Option Orientation : Vertical

सूची-I से सूची-II का मिलान कीजिए -

सूची-I

सूची-II

- A. फलन $f(x) = \frac{1}{\sqrt{x^2 - 1}}$ का प्रक्षेत्र (डोमेन) I. $[2, \infty)$
- B. फलन $f(x) = \frac{1}{\sqrt{x^2 - 1}}$ की परिसर II. $(-\infty, -1) \cup (1, \infty)$
- C. फलन $f(x) = \sqrt{x-2}$ का प्रक्षेत्र (डोमेन) III. $(0, \infty)$
- D. फलन $f(x) = \sqrt{x-2}$ का परिसर IV. $[0, \infty)$

नीचे दिए गए विकल्पों में से सही उत्तर का चयन कीजिए :

- (1) A-II, B-III, C-I, D-IV
(2) A-III, B-II, C-I, D-IV
(3) A-III, B-II, C-IV, D-I
(4) A-II, B-III, C-IV, D-I

Options :

43244958993. 1
43244958994. 2
43244958995. 3
43244958996. 4

Question Number : 25 Question Id : 43244915110 Question Type : MCQ Option Shuffling : No Display Question Number : Yes Is Question Mandatory : No Single Line Question Option : No Option Orientation : Vertical

Match List - I with List - II on the basis of relationship.

List - I	List - II
A. Complement operation	I. all possible subsets
B. Power set operation	II. tuples (ordered)
C. Cartesian product	III. universal set
D. Union and intersection	IV. difference (symmetric)

Choose the correct answer from the options given below :

- (1) A-I, B-II, C-III, D-IV
- (2) A-IV, B-I, C-III, D-II
- (3) A-III, B-IV, C-I, D-II
- (4) A-III, B-I, C-II, D-IV

Options :

43244958997. 1
43244958998. 2
43244958999. 3
43244959000. 4

Question Number : 25 Question Id : 43244915110 Question Type : MCQ Option Shuffling : No Display Question Number : Yes Is Question Mandatory : No Single Line Question Option : No Option Orientation : Vertical

सूची-I से सूची-II का मिलान संबंध के आधार पर कीजिए।

सूची-I	सूची-II
A. पूरक प्रचालन (संक्रिया)	I. सभी संभावित उपसमुच्चय
B. घात समुच्चय प्रचालन	II. टपल (क्रम)
C. कार्तीय गुणन	III. समष्टीय समुच्चय
D. सम्मिलन और सर्वनिष्ठ	IV. अंतर (सममित)

नीचे दिए गए विकल्पों में से सही उत्तर का चयन कीजिए :

- (1) A-I, B-II, C-III, D-IV
- (2) A-IV, B-I, C-III, D-II
- (3) A-III, B-IV, C-I, D-II
- (4) A-III, B-I, C-II, D-IV

Options :

43244958997. 1
43244958998. 2
43244958999. 3
43244959000. 4

Question Number : 26 Question Id : 43244915111 Question Type : MCQ Option Shuffling : No Display Question Number : Yes Is Question Mandatory : No Single Line Question Option : No Option Orientation : Vertical

Which of the following is the median of the heights (in cm) of following 9 students ?

155 160 145 149 150 147 152 144 148

- (1) 150
- (2) 149
- (3) 147
- (4) 197.37

Options :

43244959001. 1
43244959002. 2
43244959003. 3
43244959004. 4

Question Number : 26 Question Id : 43244915111 Question Type : MCQ Option Shuffling : No Display Question Number : Yes Is Question Mandatory : No Single Line Question Option : No Option Orientation : Vertical

निम्नलिखित में से कौन, निम्नलिखित 9 विद्यार्थियों की लम्बाई (से.मी. में) की माध्यिका है?

155 160 145 149 150 147 152 144 148

- (1) 150
- (2) 149
- (3) 147
- (4) 197.37

Options :

43244959001. 1
43244959002. 2
43244959003. 3
43244959004. 4

Question Number : 27 Question Id : 43244915112 Question Type : MCQ Option Shuffling : No Display Question Number : Yes Is Question Mandatory : No Single Line Question Option : No Option Orientation : Vertical

In a small factory one supervisor and four labourers work. The labourers draw salary of ₹ 5000/- per month each while supervisor gets ₹ 15000/- per month. Which of the following are mean and mode of the salaries ?

- (1) ₹ 5000/- , ₹ 7000/-
- (2) ₹ 7000/- , ₹ 5000/-
- (3) ₹ 20,000/- , ₹ 4000/-
- (4) ₹ 5000/- , ₹ 15000/-

Options :

43244959005. 1
43244959006. 2
43244959007. 3
43244959008. 4

Question Number : 27 Question Id : 43244915112 Question Type : MCQ Option Shuffling : No Display Question Number : Yes Is Question Mandatory : No Single Line Question Option : No Option Orientation : Vertical

एक लघु फैक्टरी में एक निरीक्षक और चार मजदूर कार्य करते हैं। प्रत्येक मजदूर, प्रति माह ₹ 5000/- वेतन प्राप्त करता है जबकि निरीक्षक को ₹ 15000/- प्रति माह का वेतन मिलता है। निम्नलिखित में से, कौन सा वेतनों का माध्य और बहुलक है ?

- (1) ₹ 5000/- , ₹ 7000/-
- (2) ₹ 7000/- , ₹ 5000/-
- (3) ₹ 20,000/- , ₹ 4000/-
- (4) ₹ 5000/- , ₹ 15000/-

Options :

43244959005. 1
43244959006. 2
43244959007. 3
43244959008. 4

Question Number : 28 Question Id : 43244915113 Question Type : MCQ Option Shuffling : No Display Question Number : Yes Is Question Mandatory : No Single Line Question Option : No Option Orientation : Vertical

When a Coin is tossed twice which of the following is the probability of getting both tails ?

- (1) $\frac{1}{4}$
- (2) $\frac{3}{4}$
- (3) $\frac{1}{2}$
- (4) $\frac{3}{16}$

Options :

43244959009. 1

43244959010. 2

43244959011. 3

43244959012. 4

Question Number : 28 Question Id : 43244915113 Question Type : MCQ Option Shuffling : No Display Question Number : Yes Is Question Mandatory : No Single Line Question Option : No Option Orientation : Vertical

जब एक सिक्के को दो बार उछाला जाता है तो दोनों बार पट्ट (टेल) प्राप्त करने की प्रायिकता निम्नलिखित में से क्या है ?

(1) $\frac{1}{4}$

(2) $\frac{3}{4}$

(3) $\frac{1}{2}$

(4) $\frac{3}{16}$

Options :

43244959009. 1

43244959010. 2

43244959011. 3

43244959012. 4

Question Number : 29 Question Id : 43244915114 Question Type : MCQ Option Shuffling : No Display Question Number : Yes Is Question Mandatory : No Single Line Question Option : No Option Orientation : Vertical

When a dice of six faces {1, 2, 3, 4, 5, 6} is thrown, which of the following is the probability of getting even number ?

(1) $\frac{1}{2}$

(2) $\frac{2}{3}$

(3) $\frac{3}{4}$

(4) $\frac{1}{6}$

Options :

43244959013. 1

43244959014. 2

43244959015. 3

43244959016. 4

Question Number : 29 Question Id : 43244915114 Question Type : MCQ Option Shuffling : No Display Question Number : Yes Is Question Mandatory : No Single Line Question Option : No Option Orientation : Vertical

जब एक 6 फलको वाले पासे {1, 2, 3, 4, 5, 6} को फेंका जाता है तो, सम संख्या प्राप्त करने की प्रायिकता निम्नलिखित में से क्या है ?

(1) $\frac{1}{2}$

(2) $\frac{2}{3}$

(3) $\frac{3}{4}$

(4) $\frac{1}{6}$

Options :

43244959013. 1
43244959014. 2
43244959015. 3
43244959016. 4

Question Number : 30 Question Id : 43244915115 Question Type : MCQ Option Shuffling : No Display Question Number : Yes Is Question Mandatory : No Single Line Question Option : No Option Orientation : Vertical

Which of the following in the variance of the data ?

6, 8, 10,12, 14, 16, 18, 20, 22, 24

- (1) 15
(2) 33
(3) 5.74
(4) 16

Options :

43244959017. 1
43244959018. 2
43244959019. 3
43244959020. 4

Question Number : 30 Question Id : 43244915115 Question Type : MCQ Option Shuffling : No Display Question Number : Yes Is Question Mandatory : No Single Line Question Option : No Option Orientation : Vertical

निम्नलिखित में से दिए गए डाटा का विचलन कौन सा हैं ?

6, 8, 10,12, 14, 16, 18, 20, 22, 24

- (1) 15
(2) 33
(3) 5.74
(4) 16

Options :

43244959017. 1
43244959018. 2
43244959019. 3
43244959020. 4

Question Number : 31 Question Id : 43244915116 Question Type : MCQ Option Shuffling : No Display Question Number : Yes Is Question Mandatory : No Single Line Question Option : No Option Orientation : Vertical

For the given dataset :

x	$f(x)$
2	$1/4$
3	$1/2$
4	$1/4$

Which of the following is the expected value of x ?

- (1) 1
(2) 2
(3) 3
(4) 4

Options :

43244959021. 1
43244959022. 2
43244959023. 3
43244959024. 4

Question Number : 31 Question Id : 43244915116 Question Type : MCQ Option Shuffling : No Display Question Number : Yes Is Question Mandatory : No Single Line Question Option : No Option Orientation : Vertical

दिए गए डाटासेट के लिए :

x	$f(x)$
2	$1/4$
3	$1/2$
4	$1/4$

निम्नलिखित में से x का प्रत्याशित मान क्या है ?

- (1) 1
- (2) 2
- (3) 3
- (4) 4

Options :

43244959021. 1
43244959022. 2
43244959023. 3
43244959024. 4

Question Number : 32 Question Id : 43244915117 Question Type : MCQ Option Shuffling : No Display Question Number : Yes Is Question Mandatory : No Single Line Question Option : No Option Orientation : Vertical

When a Coin having head and tail is thrown, which of the following is probability of not getting head ?

- (1) $\frac{1}{2}$
- (2) $\frac{3}{4}$
- (3) $\frac{4}{5}$
- (4) $\frac{3}{5}$

Options :

43244959025. 1
43244959026. 2
43244959027. 3
43244959028. 4

Question Number : 32 Question Id : 43244915117 Question Type : MCQ Option Shuffling : No Display Question Number : Yes Is Question Mandatory : No Single Line Question Option : No Option Orientation : Vertical

जब एक सिक्के को, जिसमें शीर्ष और पुच्छ है, को फेंका जाता है तो, निम्नलिखित में से शीर्ष (हेड) नहीं प्राप्त करने की प्रायिकता क्या है ?

- (1) $\frac{1}{2}$
- (2) $\frac{3}{4}$
- (3) $\frac{4}{5}$
- (4) $\frac{3}{5}$

Options :

43244959025. 1
43244959026. 2
43244959027. 3
43244959028. 4

Question Number : 33 Question Id : 43244915118 Question Type : MCQ Option Shuffling : No Display Question Number : Yes Is Question Mandatory : No Single Line Question Option : No Option Orientation : Vertical

The standard deviation for the following data is :

x_i	3	8	13	18	23
f_i	7	10	15	10	6

- (1) 22.6
- (2) 13
- (3) 9.6
- (4) 6.12

Options :

- 43244959029. 1
- 43244959030. 2
- 43244959031. 3
- 43244959032. 4

Question Number : 33 Question Id : 43244915118 Question Type : MCQ Option Shuffling : No Display Question Number : Yes Is Question Mandatory : No Single Line Question Option : No Option Orientation : Vertical

निम्नलिखित डाटा के लिए, मानक विचलन है :

x_i	3	8	13	18	23
f_i	7	10	15	10	6

- (1) 22.6
- (2) 13
- (3) 9.6
- (4) 6.12

Options :

- 43244959029. 1
- 43244959030. 2
- 43244959031. 3
- 43244959032. 4

Question Number : 34 Question Id : 43244915119 Question Type : MCQ Option Shuffling : No Display Question Number : Yes Is Question Mandatory : No Single Line Question Option : No Option Orientation : Vertical

For two distributions the standard deviations are 21 and 14 respectively and their coefficients of variations are 60 and 70 respectively. Which of the following is correct for their arithmetic means ?

- (1) 65, 13
- (2) 18.5, 65
- (3) 35, 20
- (4) 22.85, 35

Options :

- 43244959033. 1
- 43244959034. 2
- 43244959035. 3
- 43244959036. 4

Question Number : 34 Question Id : 43244915119 Question Type : MCQ Option Shuffling : No Display Question Number : Yes Is Question Mandatory : No Single Line Question Option : No Option Orientation : Vertical

दो वितरणों (बंटनों) के लिए, मानक विचलन क्रमशः 21 और 14 है, और उनके विचलन गुणांक क्रमशः 60 और 70 हैं। निम्नलिखित में से कौन उनके समानान्तर माध्यों के लिए सही है?

- (1) 65, 13
- (2) 18.5, 65
- (3) 35, 20
- (4) 22.85, 35

Options :

43244959033. 1
43244959034. 2
43244959035. 3
43244959036. 4

Question Number : 35 Question Id : 43244915120 Question Type : MCQ Option Shuffling : No Display Question Number : Yes Is Question Mandatory : No Single Line Question Option : No Option Orientation : Vertical

In statistics, ANOVA stands for :

- (1) Analysis of variables
- (2) Analysis of variance
- (3) And vectors analysis
- (4) Anomaly variety analysis

Options :

43244959037. 1
43244959038. 2
43244959039. 3
43244959040. 4

Question Number : 35 Question Id : 43244915120 Question Type : MCQ Option Shuffling : No Display Question Number : Yes Is Question Mandatory : No Single Line Question Option : No Option Orientation : Vertical

सांख्यिकी में ANOVA किस के लिए मान्य (मानकीकृत) है?

- (1) चरों का विश्लेषण
- (2) प्रसरण का विश्लेषण
- (3) एंड सदिशों का विश्लेषण
- (4) अनियमितता वैराइटी (किस्म) विश्लेषण

Options :

43244959037. 1
43244959038. 2
43244959039. 3
43244959040. 4

Question Number : 36 Question Id : 43244915121 Question Type : MCQ Option Shuffling : No Display Question Number : Yes Is Question Mandatory : No Single Line Question Option : No Option Orientation : Vertical

Given below are two statements : one is labelled as **Assertion (A)** and the other is labelled as **Reason (R)**.

Assertion (A) : Suppose X in a discrete Random Variable and $P(X = x) = k \frac{\lambda^x}{x!}$ is probability mass function for $x=0, 1, 2, \dots$ only when $k=e^{-\lambda}$.

Reason (R) : Any probability function is probability mass function when sum of values of function at all points is equal to 1.

In the light of the above statements, choose the **most appropriate answer** from the options given below :

- (1) Both **(A)** and **(R)** are correct and **(R)** is the correct explanation of **(A)**
- (2) Both **(A)** and **(R)** are correct but **(R)** is **not** the correct explanation of **(A)**
- (3) **(A)** is correct but **(R)** is not correct
- (4) **(A)** is not correct but **(R)** is correct

Options :

- 43244959041. 1
- 43244959042. 2
- 43244959043. 3
- 43244959044. 4

Question Number : 36 Question Id : 43244915121 Question Type : MCQ Option Shuffling : No Display Question Number : Yes Is Question Mandatory : No Single Line Question Option : No Option Orientation : Vertical

नीचे दो कथन दिए गए हैं: एक **अभिकथन (A)** के रूप में लिखित है तो दूसरा उसके **कारण (R)** के रूप में है।

अभिकथन (A) : माना कि X एक असंतत यादृच्छिक चर है और $x=0, 1, 2, \dots$ के लिए $P(X = x) = k \frac{\lambda^x}{x!}$ प्रायिकता द्रव्यमान फलन है केवल जब $k=e^{-\lambda}$.

कारण (R) : कोई भी प्रायिकता फलन, प्रायिकता द्रव्यमान फलन होता है, जब फलन का सभी बिंदुओं पर मानों का योग 1 के बराबर होता है।

उपरोक्त कथन के आलोक में, नीचे दिए गए विकल्पों में से **सबसे उपयुक्त उत्तर** का चयन कीजिए :

- (1) दोनों (A) और (R) सही हैं और (R), (A) की सही व्याख्या है
- (2) दोनों (A) और (R) सही हैं लेकिन (R), (A) की सही व्याख्या नहीं है
- (3) (A) सही है, लेकिन (R) सही नहीं है
- (4) (A) सही नहीं है, लेकिन (R) सही है

Options :

- 43244959041. 1
- 43244959042. 2
- 43244959043. 3
- 43244959044. 4

Question Number : 37 Question Id : 43244915122 Question Type : MCQ Option Shuffling : No Display Question Number : Yes Is Question Mandatory : No Single Line Question Option : No Option Orientation : Vertical

Given below are two statements : one is labelled as **Assertion (A)** and the other is labelled as **Reason (R)**.

Assertion (A) : Security has services like Confidential Integrity, Authentication, Access control, etc.

Reason (R) : Encryption, Digital signature, MD5 and secure hash algorithm may be used for Authentication and Confidentiality etc.

In the light of the above statements, choose the **most appropriate answer** from the options given below :

- (1) Both (A) and (R) are correct and (R) is the correct explanation of (A)
- (2) Both (A) and (R) are correct but (R) is not the correct explanation of (A)
- (3) (A) is correct but (R) is not correct
- (4) (A) is not correct but (R) is correct

Options :

- 43244959045. 1
- 43244959046. 2
- 43244959047. 3
- 43244959048. 4

Question Number : 37 Question Id : 43244915122 Question Type : MCQ Option Shuffling : No Display Question Number : Yes Is Question Mandatory : No Single Line Question Option : No Option Orientation : Vertical

नीचे दो कथन दिए गए हैं: एक **अभिकथन (A)** के रूप में लिखित है तो दूसरा उसके **कारण (R)** के रूप में है।

अभिकथन (A) : सुरक्षा (सेकुरिटी) सेवाएँ हैं जैसे गोपनीयता, सत्यनिष्ठा, प्रमाणीकरण, पहुँच और नियंत्रण इत्यादि।

कारण (R) : कूटलेखन (एन्क्रिप्शन), डिजिटल हस्ताक्षर, MD5, और सुरक्षित हैशिंग एल्गोरिथम का उपयोग प्रमाणीकरण और गोपनीयता इत्यादि के लिए किया जा सकता है।

उपरोक्त कथन के आलोक में, नीचे दिए गए विकल्पों में से **सबसे उपयुक्त उत्तर** का चयन कीजिए :

- (1) दोनों (A) और (R) सही हैं और (R), (A) की सही व्याख्या है
- (2) दोनों (A) और (R) सही हैं लेकिन (R), (A) की सही व्याख्या नहीं है
- (3) (A) सही है, लेकिन (R) सही नहीं है
- (4) (A) सही नहीं है, लेकिन (R) सही है

Options :

43244959045. 1

43244959046. 2

43244959047. 3

43244959048. 4

Question Number : 38 Question Id : 43244915123 Question Type : MCQ Option Shuffling : No Display Question Number : Yes Is Question Mandatory : No Single Line Question Option : No Option Orientation : Vertical

Given below are two statements : One is labelled as **Assertion (A)** and the other is labelled as **Reason (R)**.

Assertion (A) : A random sample of size 25 is taken, resulting in a sample mean of 17.45 and a sample standard deviation of 3.6. The samples have been taken from Normally distributed population. Assuming Hypothesis $H_0 : \mu = 18$, $H_a : \mu \neq 18$, the standard error calculated as 0.72.

Reason (R) : The standard error for each hypothesis testing procedure is $\frac{s}{\sqrt{n}}$.

In the light of the above statements, choose the **most appropriate answer** from the options given below :

- (1) Both (A) and (R) are correct and (R) is the correct explanation of (A)
- (2) Both (A) and (R) are correct but (R) is **not** the correct explanation of (A)
- (3) (A) is correct but (R) is not correct
- (4) (A) is not correct but (R) is correct

Options :

43244959049. 1

43244959050. 2

43244959051. 3

43244959052. 4

Question Number : 38 Question Id : 43244915123 Question Type : MCQ Option Shuffling : No Display Question Number : Yes Is Question Mandatory : No Single Line Question Option : No Option Orientation : Vertical

नीचे दो कथन दिए गए हैं: एक **अभिकथन (A)** के रूप में लिखित है तो दूसरा उसके **कारण (R)** के रूप में है।

अभिकथन (A) : एक यादृच्छिक प्रतिदर्श (नमूना) जिसका आकार 25 है लिया जाता है, जिसका प्रतिदर्श का माध्य मान 17.45 और मानक विचलन का मान 3.6 आता है। प्रतिदर्श (नमूने) को प्रसामान्य बंटित जनसंख्या से लिया गया। माना गया परिकल्पना $H_0 : \mu = 18$, $H_a : \mu \neq 18$, परिकलित मानक त्रुटि = 0.72।

कारण (R) : प्रत्येक परिकल्पना कार्यविधि की मानक त्रुटि $\frac{s}{\sqrt{n}}$.

उपरोक्त कथन के आलोक में, नीचे दिए गए विकल्पों में से **सबसे उपयुक्त उत्तर** का चयन कीजिए :

- (1) दोनों (A) और (R) सही हैं और (R), (A) की सही व्याख्या है
- (2) दोनों (A) और (R) सही हैं लेकिन (R), (A) की सही व्याख्या नहीं है
- (3) (A) सही है, लेकिन (R) सही नहीं है
- (4) (A) सही नहीं है, लेकिन (R) सही है

Options :

- 43244959049. 1
- 43244959050. 2
- 43244959051. 3
- 43244959052. 4

Question Number : 39 Question Id : 43244915124 Question Type : MCQ Option Shuffling : No Display Question Number : Yes Is Question Mandatory : No Single Line Question Option : No Option Orientation : Vertical

Arrange the following data on the basis of their mode in increasing order :

- A. 57, 52, 57, 53, 51, 52, 57, 52, 52, 50
- B. 1, 5, 7, 6, 5, 5, 2, 7, 5, 7, 7, 5, 7, 7
- C. 0, 1, 1, 0, 1, 1, 0, 1, 1, 0, 0, 0, 1
- D. 0, 1, 2, 1, 2, 0, 1, 2
- E. 1, 2, 3, 4, 5, 7, 9

Choose the **correct** answer from the options given below :

- (1) C, B, A, D, E
- (2) C, A, E, B, D
- (3) E, D, A, B, C
- (4) E, A, D, C, B

Options :

- 43244959053. 1
- 43244959054. 2
- 43244959055. 3
- 43244959056. 4

Question Number : 39 Question Id : 43244915124 Question Type : MCQ Option Shuffling : No Display Question Number : Yes Is Question Mandatory : No Single Line Question Option : No Option Orientation : Vertical

निम्नलिखित डेटा को उनके बहुलक के अनुसार, बढ़ते क्रम में व्यवस्थित करें :

- A. 57, 52, 57, 53, 51, 52, 57, 52, 52, 50
- B. 1, 5, 7, 6, 5, 5, 2, 7, 5, 7, 7, 5, 7, 7
- C. 0, 1, 1, 0, 1, 1, 0, 1, 1, 0, 0, 0, 1
- D. 0, 1, 2, 1, 2, 0, 1, 2
- E. 1, 2, 3, 4, 5, 7, 9

नीचे दिए गए विकल्पों में से **सही** उत्तर का चयन कीजिए :

- (1) C, B, A, D, E
- (2) C, A, E, B, D
- (3) E, D, A, B, C
- (4) E, A, D, C, B

Options :

- 43244959053. 1
- 43244959054. 2
- 43244959055. 3
- 43244959056. 4

Question Number : 40 Question Id : 43244915125 Question Type : MCQ Option Shuffling : No Display Question Number : Yes Is Question Mandatory : No Single Line Question Option : No Option Orientation : Vertical

Arrange the probabilities for the following normal distribution problem from lowest to highest.

- A. $\mu = 604, \sigma = 50, P(X \leq 635)$
- B. $\mu = 48, \sigma = 10, P(X \leq 20)$
- C. $\mu = 37, \sigma = 5, P(X \geq 35)$
- D. $\mu = 156, \sigma = 10, P(X \geq 170)$

Choose the **correct** answer from the options given below :

- (1) A, D, B, C
- (2) A, C, D, B
- (3) B, D, C, A
- (4) B, D, A, C

Options :

- 43244959057. 1
- 43244959058. 2
- 43244959059. 3
- 43244959060. 4

Question Number : 40 Question Id : 43244915125 Question Type : MCQ Option Shuffling : No Display Question Number : Yes Is Question Mandatory : No Single Line Question Option : No Option Orientation : Vertical

निम्नलिखित प्रसामान्य (नॉर्मल) बंटन प्रायिकताओं को, अपनी प्रयिकता के अनुसार, निम्नतम से उच्चतम क्रम में व्यवस्थित करें :

- A. $\mu = 604, \sigma = 50, P(X \leq 635)$
- B. $\mu = 48, \sigma = 10, P(X \leq 20)$
- C. $\mu = 37, \sigma = 5, P(X \geq 35)$
- D. $\mu = 156, \sigma = 10, P(X \geq 170)$

नीचे दिए गए विकल्पों में से **सही उत्तर** का चयन कीजिए :

- (1) A, D, B, C
- (2) A, C, D, B
- (3) B, D, C, A
- (4) B, D, A, C

Options :

- 43244959057. 1
- 43244959058. 2
- 43244959059. 3
- 43244959060. 4

Question Number : 41 Question Id : 43244915126 Question Type : MCQ Option Shuffling : No Display Question Number : Yes Is Question Mandatory : No Single Line Question Option : No Option Orientation : Vertical

Construct the confidence interval specified to estimate μ . Arrange the intervals from lowest to highest, based on length of the interval.

- A. At 95% confidence for $\bar{x} = 20, \sigma = 3$ and $n = 49$.
- B. At 95% confidence for $\bar{x} = 20, \sigma = 3$ and $n = 81$.
- C. At 95% confidence for $\bar{x} = 115, \sigma = 25$ and $n = 49$.
- D. At 95% confidence for $\bar{x} = 115, \sigma = 25$ and $n = 81$.

Choose the **correct** answer from the options given below :

- (1) A, C, B, D
- (2) D, B, C, A
- (3) B, A, D, C
- (4) A, B, C, D

Options :

- 43244959061. 1
- 43244959062. 2

43244959063. 3

43244959064. 4

Question Number : 41 Question Id : 43244915126 Question Type : MCQ Option Shuffling : No Display Question Number : Yes Is Question Mandatory : No Single Line Question Option : No Option Orientation : Vertical

μ का मान ज्ञात करने के लिए इंगित विश्वास्यता अन्तराल का निर्माण करें। अंतरालों को लंबाई के आधार पर निम्नतम से अधिकतम तक व्यवस्थित कीजिए।

- A. 95% विश्वास्यता पर $\bar{x}=20$, $\sigma=3$ और $n=49$ के लिए
- B. 95% विश्वास्यता पर $\bar{x}=20$, $\sigma=3$ और $n=81$ के लिए
- C. 95% विश्वास्यता पर $\bar{x}=115$, $\sigma=25$ और $n=49$ के लिए
- D. 95% विश्वास्यता पर $\bar{x}=115$, $\sigma=25$ और $n=81$ के लिए

नीचे दिए गए विकल्पों में से सही उत्तर का चयन कीजिए :

- (1) A, C, B, D
- (2) D, B, C, A
- (3) B, A, D, C
- (4) A, B, C, D

Options :

43244959061. 1

43244959062. 2

43244959063. 3

43244959064. 4

Question Number : 42 Question Id : 43244915127 Question Type : MCQ Option Shuffling : No Display Question Number : Yes Is Question Mandatory : No Single Line Question Option : No Option Orientation : Vertical

Arrange the following in increasing order on the basis of dispersion of data with given mean of data points, number of data points and sum of square of data points.

- A. $n=5$, $\sum x_i^2=100$, $\bar{x}=3$
- B. $n=5$, $\sum x_i^2=100$, $\bar{x}=4$
- C. $n=10$, $\sum x_i^2=100$, $\bar{x}=2$
- D. $n=10$, $\sum x_i^2=100$, $\bar{x}=3$

Choose the correct answer from the options given below :

- (1) A, B, C, D
- (2) A, B, D, C
- (3) B, A, D, C
- (4) D, B, C, A

Options :

43244959065. 1

43244959066. 2

43244959067. 3

43244959068. 4

Question Number : 42 Question Id : 43244915127 Question Type : MCQ Option Shuffling : No Display Question Number : Yes Is Question Mandatory : No Single Line Question Option : No Option Orientation : Vertical

जब, डाटा बिन्दुओं का माध्य, डाटा बिन्दुओं की संख्या और डाटा-बिन्दुओं के वर्ग का योग दिया गया है, तो निम्नलिखित को डाटा के विसरण (डिस्पर्सन) के आधार पर बढ़ते क्रम में व्यवस्थित करें।

- A. $n=5, \Sigma x_i^2=100, \bar{x}=3$
- B. $n=5, \Sigma x_i^2=100, \bar{x}=4$
- C. $n=10, \Sigma x_i^2=100, \bar{x}=2$
- D. $n=10, \Sigma x_i^2=100, \bar{x}=3$

नीचे दिए गए विकल्पों में से सही उत्तर का चयन कीजिए :

- (1) A, B, C, D
- (2) A, B, D, C
- (3) B, A, D, C
- (4) D, B, C, A

Options :

- 43244959065. 1
- 43244959066. 2
- 43244959067. 3
- 43244959068. 4

Question Number : 43 Question Id : 43244915128 Question Type : MCQ Option Shuffling : No Display Question Number : Yes Is Question Mandatory : No Single Line Question Option : No Option Orientation : Vertical

Which of the following is/are the sampling method/s ?

- A. Cluster sampling
- B. Judgment sampling
- C. Computer sampling
- D. Systematic sampling
- E. Favorite sampling

Choose the **correct** answer from the options given below :

- (1) A, C and D only
- (2) B and E only
- (3) A, B and D only
- (4) D only

Options :

- 43244959069. 1
- 43244959070. 2
- 43244959071. 3
- 43244959072. 4

Question Number : 43 Question Id : 43244915128 Question Type : MCQ Option Shuffling : No Display Question Number : Yes Is Question Mandatory : No Single Line Question Option : No Option Orientation : Vertical

निम्नलिखित में से कौन सा/से प्रतिचयन विधि/याँ हैं ?

- A. शुद्ध प्रतिचयन
- B. ऐच्छिक प्रतिचयन
- C. वरणात्मक प्रतिचयन
- D. क्रमबद्ध प्रतिचयन
- E. प्रत्याशित (पक्षपाती) प्रतिचयन

नीचे दिए गए विकल्पों में से सही उत्तर का चयन कीजिए :

- (1) केवल A, C और D
- (2) केवल B और E
- (3) केवल A, B और D
- (4) केवल D

Options :

- 43244959069. 1
- 43244959070. 2
- 43244959071. 3
- 43244959072. 4

Question Number : 44 Question Id : 43244915129 Question Type : MCQ Option Shuffling : No Display Question Number : Yes Is Question Mandatory : No Single Line Question Option : No Option Orientation : Vertical

Which of the following is/are true ?

- A. Correlation coefficient always lies in $[-1, 1]$.
- B. Mean, Mode and Median are always equal when data follows normal distribution.
- C. Mean, Mode and Median are always equal when data follows binomial distribution with odd number of sampling points.
- D. Researchers generally reject the null hypothesis when p-value is less than 0.05.

Choose the **correct** answer from the options given below :

- (1) A only
- (2) A, B and D only
- (3) A, B and C only
- (4) A, B, C and D only

Options :

- 43244959073. 1
- 43244959074. 2
- 43244959075. 3
- 43244959076. 4

Question Number : 44 Question Id : 43244915129 Question Type : MCQ Option Shuffling : No Display Question Number : Yes Is Question Mandatory : No Single Line Question Option : No Option Orientation : Vertical

निम्नलिखित में से कौन से सत्य हैं ?

- A. सहसंबंध गुणांक हमेशा $[-1, 1]$ के बीच होता है
- B. माध्य, बहुलक और माध्यिका बराबर होते हैं जब डाटा, प्रसामान्य (नॉर्मल) बंटन का अनुसरण करता है।
- C. माध्य, बहुलक और माध्यिका बराबर होते हैं जब डाटा बाईनोमियल डिस्ट्रीब्यूशन (द्विपद बंटन) विषम बिंदुओं का पालन करता है।
- D. शोधकर्ता, सामान्यतः जब p-मान 0.05 से कम होता है, निराकरणीय परिकल्पना को अमान्य कर देते हैं।

नीचे दिए गए विकल्पों में से सही उत्तर का चयन कीजिए :

- (1) केवल A
- (2) केवल A, B और D
- (3) केवल A, B और C
- (4) केवल A, B, C और D

Options :

- 43244959073. 1
- 43244959074. 2
- 43244959075. 3
- 43244959076. 4

Question Number : 45 Question Id : 43244915130 Question Type : MCQ Option Shuffling : No Display Question Number : Yes Is Question Mandatory : No Single Line Question Option : No Option Orientation : Vertical

Which of the followings are parametric statistical tests ?

- A. ANOVA
- B. t-test
- C. z-test
- D. Proportion test
- E. Wilcoxon's test

Choose the **correct** answer from the options given below :

- (1) B, C, E only
- (2) A, B, C only
- (3) B, C, D only
- (4) A, B, C, D only

Options :

- 43244959077. 1
- 43244959078. 2
- 43244959079. 3
- 43244959080. 4

Question Number : 45 Question Id : 43244915130 Question Type : MCQ Option Shuffling : No Display Question Number : Yes Is Question Mandatory : No Single Line Question Option : No Option Orientation : Vertical

निम्नलिखित में से कौन से प्राचलिक (पैरामिट्रिक) सांख्यिकीय परीक्षण (टेस्ट) हैं ?

- A. एनोवा (ANOVA)
- B. t-परीक्षण (टेस्ट)
- C. z-परीक्षण (टेस्ट)
- D. अनुपात परीक्षण (टेस्ट)
- E. विल्कोक्सन परीक्षण (टेस्ट)

नीचे दिए गए विकल्पों में से **सही** उत्तर का चयन कीजिए :

- (1) केवल B, C, E
- (2) केवल A, B, C
- (3) केवल B, C, D
- (4) केवल A, B, C, D

Options :

- 43244959077. 1
- 43244959078. 2
- 43244959079. 3
- 43244959080. 4

Question Number : 46 Question Id : 43244915131 Question Type : MCQ Option Shuffling : No Display Question Number : Yes Is Question Mandatory : No Single Line Question Option : No Option Orientation : Vertical

For the two mutually exclusive events A and B, which of the following are correct ?

- A. $P(A \cup B) = P(A) + P(B)$
- B. $P(A \cap B) = 0$
- C. $P(A \cap B) = P(A) \cdot P(B)$
- D. $P(A \cap B) = P(A/B)P(B)$
- E. $P(A) = P(A/B)P(B)$

Choose the **correct** answer from the options given below :

- (1) A, C and E only
- (2) A, B and D only
- (3) A and D only
- (4) B, C only

Options :

43244959081. 1

43244959082. 2

43244959083. 3

43244959084. 4

Question Number : 46 Question Id : 43244915131 Question Type : MCQ Option Shuffling : No Display Question Number : Yes Is Question Mandatory : No Single Line Question Option : No Option Orientation : Vertical

दो परस्पर अपवर्जी घटनाओं A और B के लिए, निम्नलिखित में, कौन से सत्य हैं ?

- A. $P(A \cup B) = P(A) + P(B)$
- B. $P(A \cap B) = 0$
- C. $P(A \cap B) = P(A) \cdot P(B)$
- D. $P(A \cap B) = P(A/B)P(B)$
- E. $P(A) = P(A/B)P(B)$

नीचे दिए गए विकल्पों में से **सही** उत्तर का चयन कीजिए :

- (1) केवल A, C और E
- (2) केवल A, B और D
- (3) केवल A और D
- (4) केवल B, C

Options :

43244959081. 1

43244959082. 2

43244959083. 3

43244959084. 4

Question Number : 47 Question Id : 43244915132 Question Type : MCQ Option Shuffling : No Display Question Number : Yes Is Question Mandatory : No Single Line Question Option : No Option Orientation : Vertical

Match List - I with List - II A data contains the following eight values 4, 3, 0, 5, 2, 9, 4, 5. Match the following :

List - I	List - II
A. (range of data) - 4	I. 4
B. mean deviation	II. 5
C. variance	III. 6
D. median	IV. 1.75

Choose the **correct** answer from the options given below :

- (1) A-III, B-I, C-IV, D-II
- (2) A-II, B-I, C-IV, D-III
- (3) A-III, B-IV, C-II, D-I
- (4) A-II, B-IV, C-III, D-I

Options :

43244959085. 1

43244959086. 2

43244959087. 3

43244959088. 4

Question Number : 47 Question Id : 43244915132 Question Type : MCQ Option Shuffling : No Display Question Number : Yes Is Question Mandatory : No Single Line Question Option : No Option Orientation : Vertical

सूची-I से सूची-II का मिलान कीजिए एक डाटा में निम्नलिखित आठ मान हैं 4, 3, 0, 5, 2, 9, 4, 5, निम्नलिखित को सुमेलित करें :

सूची-I	सूची-II
A. (डाटा परिसर) - 4	I. 4
B. माध्य विचलन	II. 5
C. प्रसरण	III. 6
D. माध्यिका	IV. 1.75

नीचे दिए गए विकल्पों में से सही उत्तर का चयन कीजिए :

- (1) A-III, B-I, C-IV, D-II
- (2) A-II, B-I, C-IV, D-III
- (3) A-III, B-IV, C-II, D-I
- (4) A-II, B-IV, C-III, D-I

Options :

43244959085. 1

43244959086. 2

43244959087. 3

43244959088. 4

Question Number : 48 Question Id : 43244915133 Question Type : MCQ Option Shuffling : No Display Question Number : Yes Is Question Mandatory : No Single Line Question Option : No Option Orientation : Vertical

Match List - I with List - II. Match the following problems when X follows Binomial distribution

List - I	List - II
A. If $n=5$ and $p=0.2$, $p(X=2)=$	I. 0.7538
B. If $n=7$, $p=0.6$, then $p(X=3)=$	II. 0.2048
C. If $n=10$, $p=0.6$, then $p(X\leq 3)=$	III. 0.1935
D. If $n=12$, $p=0.45$, then $p(4\leq X\leq 7)=$	IV. 0.0548

Choose the correct answer from the options given below :

- (1) A-III, B-II, C-IV, D-I
- (2) A-I, B-II, C-III, D-IV
- (3) A-II, B-III, C-IV, D-I
- (4) A-II, B-III, C-I, D-IV

Options :

43244959089. 1

43244959090. 2

43244959091. 3

43244959092. 4

Question Number : 48 Question Id : 43244915133 Question Type : MCQ Option Shuffling : No Display Question Number : Yes Is Question Mandatory : No Single Line Question Option : No Option Orientation : Vertical

सूची-I से सूची-II का मिलान कीजिए : जब X द्विपद बंटन का अनुसरण करता है तो निम्नलिखित को सुमेलित करें।

सूची-I	सूची-II
A. यदि $n=5$ और $p=0.2$ हैं तो, $p(X=2) =$	I. 0.7538
B. यदि $n=7$, $p=0.6$ हैं तो, $p(X=3) =$	II. 0.2048
C. यदि $n=10$, $p=0.6$ हैं तो, $p(X \leq 3) =$	III. 0.1935
D. यदि $n=12$, $p=0.45$ हैं तो, $p(4 \leq X \leq 7) =$	IV. 0.0548

नीचे दिए गए विकल्पों में से सही उत्तर का चयन कीजिए :

- (1) A-III, B-II, C-IV, D-I
- (2) A-I, B-II, C-III, D-IV
- (3) A-II, B-III, C-IV, D-I
- (4) A-II, B-III, C-I, D-IV

Options :

43244959089. 1
43244959090. 2
43244959091. 3
43244959092. 4

Question Number : 49 Question Id : 43244915134 Question Type : MCQ Option Shuffling : No Display Question Number : Yes Is Question Mandatory : No Single Line Question Option : No Option Orientation : Vertical

Match List - I with List - II.

List - I : Sample Statistics	List - II : Population Parameter
A. μ	I. σ^2
B. s_{xy}	II. ρ_{xy}
C. s^2	III. \bar{x}
D. r_{xy}	IV. σ_{xy}

Choose the correct answer from the options given below :

- (1) A-III, B-II, C-I, D-IV
- (2) A-II, B-III, C-IV, D-I
- (3) A-I, B-II, C-III, D-IV
- (4) A-III, B-IV, C-I, D-II

Options :

43244959093. 1
43244959094. 2
43244959095. 3
43244959096. 4

Question Number : 49 Question Id : 43244915134 Question Type : MCQ Option Shuffling : No Display Question Number : Yes Is Question Mandatory : No Single Line Question Option : No Option Orientation : Vertical

सूची-I से सूची-II का मिलान कीजिए :

सूची-I : प्रतिदर्श सांख्यिकी	सूची-II : जनसंख्या प्राचल
A. μ	I. σ^2
B. s_{xy}	II. ρ_{xy}
C. s^2	III. \bar{x}
D. r_{xy}	IV. σ_{xy}

नीचे दिए गए विकल्पों में से सही उत्तर का चयन कीजिए :

- (1) A-III, B-II, C-I, D-IV
- (2) A-II, B-III, C-IV, D-I
- (3) A-I, B-II, C-III, D-IV
- (4) A-III, B-IV, C-I, D-II

Options :

43244959093. 1

43244959094. 2

43244959095. 3

43244959096. 4

Question Number : 50 Question Id : 43244915135 Question Type : MCQ Option Shuffling : No Display Question Number : Yes Is Question Mandatory : No Single Line Question Option : No Option Orientation : Vertical

Match List - I with List - II.

List - I

- A. fail to reject the null hypothesis when it is true
- B. fail to reject the null hypothesis when it is false
- C. reject the null hypothesis when it is true
- D. reject the null hypothesis when it is false

List - II

- I. Correct decision (power)
- II. Correct decision
- III. type-II error (β)
- IV. type-I error (α)

Choose the **correct** answer from the options given below :

- (1) A-I, B-II, C-III, D-IV
- (2) A-II, B-III, C-IV, D-I
- (3) A-III, B-IV, C-I, D-II
- (4) A-IV, B-I, C-II, D-III

Options :

43244959097. 1

43244959098. 2

43244959099. 3

43244959100. 4

Question Number : 50 Question Id : 43244915135 Question Type : MCQ Option Shuffling : No Display Question Number : Yes Is Question Mandatory : No Single Line Question Option : No Option Orientation : Vertical

सूची-I से सूची-II का मिलान कीजिए:

सूची-I

- A. निराकणीय परिकल्पना को अस्वीकार करना जब वह सत्य है।
- B. निराकणीय परिकल्पना को अस्वीकार करना जब वह असत्य है।
- C. निराकणीय परिकल्पना को अस्वीकार करना जब वह सत्य है।
- D. निराकणीय परिकल्पना को अस्वीकार करना जब वह असत्य है।

सूची-II

- I. उचित निर्णय (क्षमता)
- II. उचित निर्णय
- III. प्रकार-II त्रुटि (β)
- IV. प्रकार-I त्रुटि (α)

नीचे दिए गए विकल्पों में से **सही** उत्तर का चयन कीजिए :

- (1) A-I, B-II, C-III, D-IV
- (2) A-II, B-III, C-IV, D-I
- (3) A-III, B-IV, C-I, D-II
- (4) A-IV, B-I, C-II, D-III

Options :

43244959097. 1

43244959098. 2

43244959099. 3

43244959100. 4

Question Number : 51 Question Id : 43244915136 Question Type : MCQ Option Shuffling : No Display Question Number : Yes Is Question Mandatory : No Single Line Question Option : No Option Orientation : Vertical

Which is odd one out of the following?

- (1) Avast
- (2) Quick Heal
- (3) Ransom
- (4) MacAfee

Options :

43244959101. 1

43244959102. 2

43244959103. 3

43244959104. 4

Question Number : 51 Question Id : 43244915136 Question Type : MCQ Option Shuffling : No Display Question Number : Yes Is Question Mandatory : No Single Line Question Option : No Option Orientation : Vertical

निम्नलिखित में से कौन भिन्न हैं ?

- (1) अवस्त
- (2) क्विक हील
- (3) रेनसम
- (4) मैकेफी

Options :

43244959101. 1
43244959102. 2
43244959103. 3
43244959104. 4

Question Number : 52 Question Id : 43244915137 Question Type : MCQ Option Shuffling : No Display Question Number : Yes Is Question Mandatory : No Single Line Question Option : No Option Orientation : Vertical

For the 010, which of the following represents min-term and max-term ?

- (1) $xy'z, x' + y + z'$
- (2) $x'yz, x + y' + z'$
- (3) $x'yz', x' + y + z'$
- (4) $x'yz', x + y' + z$

Options :

43244959105. 1
43244959106. 2
43244959107. 3
43244959108. 4

Question Number : 52 Question Id : 43244915137 Question Type : MCQ Option Shuffling : No Display Question Number : Yes Is Question Mandatory : No Single Line Question Option : No Option Orientation : Vertical

010, के लिए, निम्नलिखित में से कौन मीन-टर्म और मैक्स-टर्म को निरूपित करता है ?

- (1) $xy'z, x' + y + z'$
- (2) $x'yz, x + y' + z'$
- (3) $x'yz', x' + y + z'$
- (4) $x'yz', x + y' + z$

Options :

43244959105. 1
43244959106. 2
43244959107. 3
43244959108. 4

Question Number : 53 Question Id : 43244915138 Question Type : MCQ Option Shuffling : No Display Question Number : Yes Is Question Mandatory : No Single Line Question Option : No Option Orientation : Vertical

Which of the following is the ASCII-7 Code of "GIRL" in hexadecimal ?

- (1) 4C 47 52 49
- (2) 49 47 4C 52
- (3) 47 49 52 4C
- (4) 47 52 4C 49

Options :

43244959109. 1
43244959110. 2
43244959111. 3
43244959112. 4

Question Number : 53 Question Id : 43244915138 Question Type : MCQ Option Shuffling : No Display Question Number : Yes Is Question Mandatory : No Single Line Question Option : No Option Orientation : Vertical

निम्नलिखित में से कौन सा ASCII-7 कोड "GIRL" का हेक्जाडेसीमल में कोड है?

- (1) 4C 47 52 49
- (2) 49 47 4C 52
- (3) 47 49 52 4C
- (4) 47 52 4C 49

Options :

43244959109. 1
43244959110. 2
43244959111. 3
43244959112. 4

Question Number : 54 Question Id : 43244915139 Question Type : MCQ Option Shuffling : No Display Question Number : Yes Is Question Mandatory : No Single Line Question Option : No Option Orientation : Vertical

Which of the following ICs (Integrated Circuit) is the fastest ?

- (1) ECL
- (2) TTL
- (3) E²L
- (4) MOS

Options :

43244959113. 1
43244959114. 2
43244959115. 3
43244959116. 4

Question Number : 54 Question Id : 43244915139 Question Type : MCQ Option Shuffling : No Display Question Number : Yes Is Question Mandatory : No Single Line Question Option : No Option Orientation : Vertical

निम्नलिखित में से कौन सा IC (समाकलन परिपथ) तीव्रतम हैं?

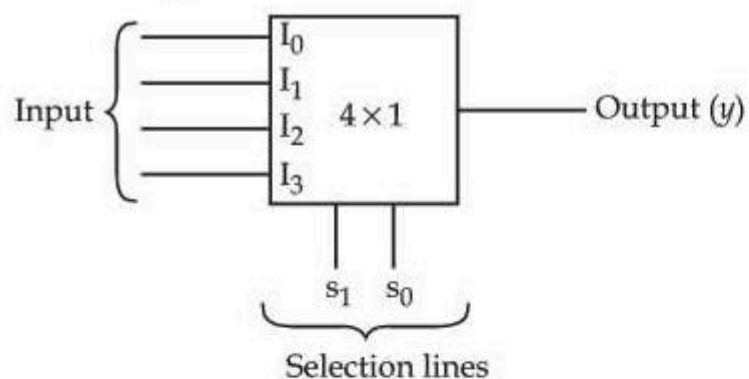
- (1) ECL
- (2) TTL
- (3) E²L
- (4) MOS

Options :

43244959113. 1
43244959114. 2
43244959115. 3
43244959116. 4

Question Number : 55 Question Id : 43244915140 Question Type : MCQ Option Shuffling : No Display Question Number : Yes Is Question Mandatory : No Single Line Question Option : No Option Orientation : Vertical

For the figure



Which of the following will be a combination of selection lines for getting I₂ as an output?

- (1) s₁ = 1, s₀ = 1
- (2) s₁ = 1, s₀ = 0
- (3) s₁ = 0, s₀ = 1
- (4) s₁ = 0, s₀ = 0

Options :

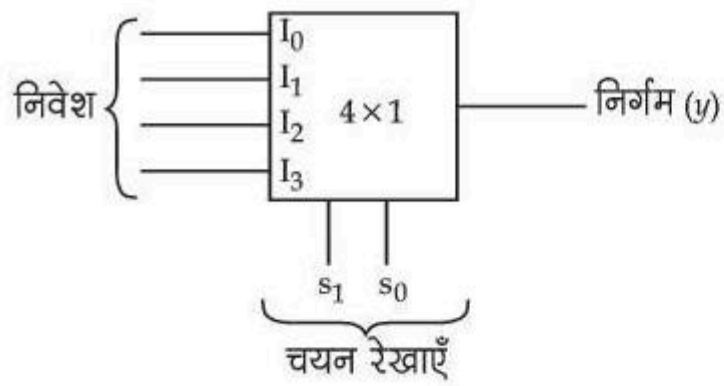
43244959117. 1
43244959118. 2

43244959119. 3

43244959120. 4

Question Number : 55 Question Id : 43244915140 Question Type : MCQ Option Shuffling : No Display Question Number : Yes Is Question Mandatory : No Single Line Question Option : No Option Orientation : Vertical

दिए गए चित्र के लिए।



निम्न लिखित में से कौन सा I_2 निर्गम प्राप्त करने के लिए एक संयोजन का चयन होगा ?

- (1) $s_1 = 1, s_0 = 1$
- (2) $s_1 = 1, s_0 = 0$
- (3) $s_1 = 0, s_0 = 1$
- (4) $s_1 = 0, s_0 = 0$

Options :

43244959117. 1

43244959118. 2

43244959119. 3

43244959120. 4

Question Number : 56 Question Id : 43244915141 Question Type : MCQ Option Shuffling : No Display Question Number : Yes Is Question Mandatory : No Single Line Question Option : No Option Orientation : Vertical

For making the memory of 4096×16 , the number of memory chips of size 256×16 will be needed ?

- (1) 16
- (2) 32
- (3) 8
- (4) 64

Options :

43244959121. 1

43244959122. 2

43244959123. 3

43244959124. 4

Question Number : 56 Question Id : 43244915141 Question Type : MCQ Option Shuffling : No Display Question Number : Yes Is Question Mandatory : No Single Line Question Option : No Option Orientation : Vertical

4096×16 मैमरी की बनाने के लिए, 256×16 आकार की कितनी मैमरी चिपों की आवश्यकता होगी ?

- (1) 16
- (2) 32
- (3) 8
- (4) 64

Options :

43244959121. 1

43244959122. 2

43244959123. 3

43244959124. 4

Question Number : 57 Question Id : 43244915142 Question Type : MCQ Option Shuffling : No Display Question Number : Yes Is Question Mandatory : No Single Line Question Option : No Option Orientation : Vertical

In a RAM of size 512×8 which of the following is the number of address lines and number of data lines ?

- (1) 512, 8
- (2) 9, 3
- (3) 4096, 8
- (4) 9, 8

Options :

- 43244959125. 1
- 43244959126. 2
- 43244959127. 3
- 43244959128. 4

Question Number : 57 Question Id : 43244915142 Question Type : MCQ Option Shuffling : No Display Question Number : Yes Is Question Mandatory : No Single Line Question Option : No Option Orientation : Vertical

512×8 आकार की एक रैम (RAM) में, निम्नलिखित में से कौन एड्रेस-लाइन (रेखाएँ) और डाटा-लाइन की संख्या को दर्शाता है:

- (1) 512, 8
- (2) 9, 3
- (3) 4096, 8
- (4) 9, 8

Options :

- 43244959125. 1
- 43244959126. 2
- 43244959127. 3
- 43244959128. 4

Question Number : 58 Question Id : 43244915143 Question Type : MCQ Option Shuffling : No Display Question Number : Yes Is Question Mandatory : No Single Line Question Option : No Option Orientation : Vertical

Which file opening mode allows editing of file ?

- (1) Read
- (2) Write
- (3) Append
- (4) Read write

Options :

- 43244959129. 1
- 43244959130. 2
- 43244959131. 3
- 43244959132. 4

Question Number : 58 Question Id : 43244915143 Question Type : MCQ Option Shuffling : No Display Question Number : Yes Is Question Mandatory : No Single Line Question Option : No Option Orientation : Vertical

निम्नलिखित में से कौन सा फाइल ओपनिंग मोड फाइल एडिटिंग की अनुमति देता है ?

- (1) रीड
- (2) राइट
- (3) अपेन्ड
- (4) रीड राइट

Options :

- 43244959129. 1
- 43244959130. 2
- 43244959131. 3
- 43244959132. 4

Question Number : 59 Question Id : 43244915144 Question Type : MCQ Option Shuffling : No Display Question Number : Yes Is Question Mandatory : No Single Line Question Option : No Option Orientation : Vertical

Which of the following is not the general purpose ?

- (1) DBMS
- (2) C++
- (3) Java
- (4) Python

Options :

- 43244959133. 1
- 43244959134. 2
- 43244959135. 3
- 43244959136. 4

Question Number : 59 Question Id : 43244915144 Question Type : MCQ Option Shuffling : No Display Question Number : Yes Is Question Mandatory : No Single Line Question Option : No Option Orientation : Vertical

निम्नलिखित में से कौन व्यापक प्रयोजन नहीं है ?

- (1) DBMS
- (2) C++
- (3) जावा
- (4) पाइथॉन

Options :

- 43244959133. 1
- 43244959134. 2
- 43244959135. 3
- 43244959136. 4

Question Number : 60 Question Id : 43244915145 Question Type : MCQ Option Shuffling : No Display Question Number : Yes Is Question Mandatory : No Single Line Question Option : No Option Orientation : Vertical

Given below are two statements : one is labelled as **Assertion (A)** and the other is labelled as **Reason (R)**.

Assertion (A) : People are expected to be aware of about the digital fraudulent activity, not to believe everyone blindly, first verify the information from authentic source before act.

Reason (R) : We should keep secret our passwords, OTP on the internet. Private information should not be leaked in public.

In the light of the above statements, choose the **most appropriate answer** from the options given below :

- (1) Both **(A)** and **(R)** are correct and **(R)** is the correct explanation of **(A)**
- (2) Both **(A)** and **(R)** are correct but **(R)** is **not** the correct explanation of **(A)**
- (3) **(A)** is correct but **(R)** is not correct
- (4) **(A)** is not correct but **(R)** is correct

Options :

- 43244959137. 1
- 43244959138. 2
- 43244959139. 3
- 43244959140. 4

Question Number : 60 Question Id : 43244915145 Question Type : MCQ Option Shuffling : No Display Question Number : Yes Is Question Mandatory : No Single Line Question Option : No Option Orientation : Vertical

नीचे दो कथन दिए गए हैं: एक **अभिकथन (A)** के रूप में लिखित है तो दूसरा उसके **कारण (R)** के रूप में है।

अभिकथन (A) : लोगों से यह अपेक्षा की जाती है कि, वे डिजीटल छलपूर्ण गतिविधियों से अलग हो। उन्हें सब पर आँख मूँद कर विश्वास नहीं करना चाहिए, कार्य करने से पहले, जानकारी का किसी प्रमाणित स्रोत से सत्यापन करना चाहिए।

कारण (R) : हमें अपने, पासवर्ड ओटीपी (OTP) इंटरनेट पर गोपनीय रखने चाहिए। व्यक्तिगत जानकारी सार्वजनिक रूप से प्रकट नहीं करनी चाहिए।

उपरोक्त कथन के आलोक में, नीचे दिए गए विकल्पों में से **सबसे उपयुक्त उत्तर** का चयन कीजिए :

- (1) दोनों (A) और (R) सही हैं और (R), (A) की सही व्याख्या है
- (2) दोनों (A) और (R) सही हैं लेकिन (R), (A) की सही व्याख्या नहीं है
- (3) (A) सही है, लेकिन (R) सही नहीं है
- (4) (A) सही नहीं है, लेकिन (R) सही है

Options :

43244959137. 1

43244959138. 2

43244959139. 3

43244959140. 4

Question Number : 61 Question Id : 43244915146 Question Type : MCQ Option Shuffling : No Display Question Number : Yes Is Question Mandatory : No Single Line Question Option : No Option Orientation : Vertical

Given below are two statements : one is labelled as **Assertion (A)** and the other is labelled as **Reason (R)**.

Assertion (A) : For a dedicated resource like processor if at the same, more than one processes want to use the resource (CPU) then the CPU can be utilized by only process at a time.

Reason (R) : Due to lack of available resources, conflicts are resolved so as to achieve serializability for the dedicated resources.

In the light of the above statements, choose the **most appropriate answer** from the options given below :

- (1) Both (A) and (R) are correct and (R) is the correct explanation of (A)
- (2) Both (A) and (R) are correct but (R) is **not** the correct explanation of (A)
- (3) (A) is correct but (R) is not correct
- (4) (A) is not correct but (R) is correct

Options :

43244959141. 1

43244959142. 2

43244959143. 3

43244959144. 4

Question Number : 61 Question Id : 43244915146 Question Type : MCQ Option Shuffling : No Display Question Number : Yes Is Question Mandatory : No Single Line Question Option : No Option Orientation : Vertical

नीचे दो कथन दिए गए हैं: एक **अभिकथन (A)** के रूप में लिखित है तो दूसरा उसके **कारण (R)** के रूप में है।

अभिकथन (A) : एक समर्पित साधन जैसे प्रोसेसर, यदि प्रयोगकर्ता एक साधन (CPU) से, एक समय पर एक से अधिक प्रक्रम (प्रोसेस) चाहता है तो CPU का उपयोग, एक समय पर केवल एक प्रक्रम (प्रोसेस) द्वारा किया सकता है।

कारण (R) : उपलब्ध साधनों की कमी के कारण उत्पन्न सघर्ष (विरोध) का समाधान समर्पित साधनों के लिए श्रेणी बद्धता (पंक्तिबद्धता) उपर्जित करने के लिए निकाला जा सकता है।

उपरोक्त कथन के आलोक में, नीचे दिए गए विकल्पों में से **सबसे उपयुक्त उत्तर** का चयन कीजिए :

- (1) दोनों (A) और (R) सही हैं और (R), (A) की सही व्याख्या है
- (2) दोनों (A) और (R) सही हैं लेकिन (R), (A) की सही व्याख्या नहीं है
- (3) (A) सही है, लेकिन (R) सही नहीं है
- (4) (A) सही नहीं है, लेकिन (R) सही है

Options :

43244959141. 1
43244959142. 2
43244959143. 3
43244959144. 4

Question Number : 62 Question Id : 43244915147 Question Type : MCQ Option Shuffling : No Display Question Number : Yes Is Question Mandatory : No Single Line Question Option : No Option Orientation : Vertical

Given below are two statements : one is labelled as **Assertion (A)** and the other is labelled as **Reason (R)**.

Assertion (A) : The arithmetic mean of A1 : A10 cells can be calculated using Microsoft Excel with the following formula :
$$= \text{sum}(A1:A10)/10$$

Reason (R) : The direct formula does not exist to calculate arithmetic mean in Microsoft Excel. In the light of the above statements, choose the **most appropriate answer** from the options given below :

- (1) Both (A) and (R) are correct and (R) is the correct explanation of (A)
- (2) Both (A) and (R) are correct but (R) is **not** the correct explanation of (A)
- (3) (A) is correct but (R) is not correct
- (4) (A) is not correct but (R) is correct

Options :

43244959145. 1
43244959146. 2
43244959147. 3
43244959148. 4

Question Number : 62 Question Id : 43244915147 Question Type : MCQ Option Shuffling : No Display Question Number : Yes Is Question Mandatory : No Single Line Question Option : No Option Orientation : Vertical

नीचे दो कथन दिए गए हैं: एक **अभिकथन (A)** के रूप में लिखित है तो दूसरा उसके **कारण (R)** के रूप में है।

अभिकथन (A) : माइक्रोसॉफ्ट एक्सेल का प्रयोग करके निम्नलिखित सूत्र के साथ A1 : A10 सेल की संख्या का अंकगणितीय औसत निकाला जा सकता है :
$$= \text{sum}(A1:A10)/10$$

कारण (R) : माइक्रोसॉफ्ट एक्सेल में, औसत संख्या का परिकलन ज्ञात करने के लिए कोई प्रत्यक्ष (सीधा) सूत्र नहीं होता है।

उपरोक्त कथन के आलोक में, नीचे दिए गए विकल्पों में से **सबसे उपयुक्त उत्तर** का चयन कीजिए :

- (1) दोनों (A) और (R) सही हैं और (R), (A) की सही व्याख्या है
- (2) दोनों (A) और (R) सही हैं लेकिन (R), (A) की सही व्याख्या नहीं है
- (3) (A) सही है, लेकिन (R) सही नहीं है
- (4) (A) सही नहीं है, लेकिन (R) सही है

Options :

- 43244959145. 1
- 43244959146. 2
- 43244959147. 3
- 43244959148. 4

Question Number : 63 Question Id : 43244915148 Question Type : MCQ Option Shuffling : No Display Question Number : Yes Is Question Mandatory : No Single Line Question Option : No Option Orientation : Vertical

Given below are two statements : one is labelled as **Assertion (A)** and the other is labelled as **Reason (R)**.

Assertion (A) : If A and B are two Boolean terms then $A \cdot \bar{B} + A \cdot B = A$.

Reason (R) : $x + x \cdot y = x$ is absorption law in Boolean Algebra.

In the light of the above statements, choose the **most appropriate answer** from the options given below :

- (1) Both (A) and (R) are correct and (R) is the correct explanation of (A)
- (2) Both (A) and (R) are correct but (R) is **not** the correct explanation of (A)
- (3) (A) is correct but (R) is not correct
- (4) (A) is not correct but (R) is correct

Options :

- 43244959149. 1
- 43244959150. 2
- 43244959151. 3
- 43244959152. 4

Question Number : 63 Question Id : 43244915148 Question Type : MCQ Option Shuffling : No Display Question Number : Yes Is Question Mandatory : No Single Line Question Option : No Option Orientation : Vertical

नीचे दो कथन दिए गए हैं: एक **अभिकथन (A)** के रूप में लिखित है तो दूसरा उसके **कारण (R)** के रूप में है।

अभिकथन (A) : यदि A और B, दो बूलियन पद हैं तो $A \cdot \bar{B} + A \cdot B = A$ होता है।

कारण (R) : बूलियन बीजगणित में $x + x \cdot y = x$ अवशोषण एबडोरप्शन नियम है।

उपरोक्त कथन के आलोक में, नीचे दिए गए विकल्पों में से **सबसे उपयुक्त उत्तर** का चयन कीजिए :

- (1) दोनों (A) और (R) सही हैं और (R), (A) की सही व्याख्या है
- (2) दोनों (A) और (R) सही हैं लेकिन (R), (A) की सही व्याख्या नहीं है
- (3) (A) सही है, लेकिन (R) सही नहीं है
- (4) (A) सही नहीं है, लेकिन (R) सही है

Options :

- 43244959149. 1
- 43244959150. 2
- 43244959151. 3
- 43244959152. 4

Question Number : 64 Question Id : 43244915149 Question Type : MCQ Option Shuffling : No Display Question Number : Yes Is Question Mandatory : No Single Line Question Option : No Option Orientation : Vertical

Which of the following is public key Crypto system ?

- A. RSA
- B. Caesar
- C. Vernam
- D. DES
- E. ECC

Choose the **correct answer** from the options given below :

- (1) A and D only
- (2) B and C only
- (3) B and D only
- (4) A and E only

Options :

- 43244959153. 1
- 43244959154. 2
- 43244959155. 3
- 43244959156. 4

Question Number : 64 Question Id : 43244915149 Question Type : MCQ Option Shuffling : No Display Question Number : Yes Is Question Mandatory : No Single Line Question Option : No Option Orientation : Vertical

निम्नलिखित में से कौन से सार्वजनिक कुंजी क्रिप्टोसिस्टम (प्रणाली) हैं ?

- A. RSA
- B. सीजर
- C. वर्नम
- D. DES
- E. ECC

नीचे दिए गए विकल्पों में से सही उत्तर का चयन कीजिए :

- (1) केवल A और D
- (2) केवल B और C
- (3) केवल B और D
- (4) केवल A और E

Options :

- 43244959153. 1
- 43244959154. 2
- 43244959155. 3
- 43244959156. 4

Question Number : 65 Question Id : 43244915150 Question Type : MCQ Option Shuffling : No Display Question Number : Yes Is Question Mandatory : No Single Line Question Option : No Option Orientation : Vertical

Which of the following is one of the transmission media of a network ?

- A. UTP
- B. Power lines
- C. Microwave
- D. FM
- E. Radio

Choose the **correct** answer from the options given below :

- (1) C, D only
- (2) D and E only
- (3) A, C, D and E only
- (4) A, B, C and E only

Options :

- 43244959157. 1
- 43244959158. 2
- 43244959159. 3
- 43244959160. 4

Question Number : 65 Question Id : 43244915150 Question Type : MCQ Option Shuffling : No Display Question Number : Yes Is Question Mandatory : No Single Line Question Option : No Option Orientation : Vertical

निम्नलिखित में से कौन सा/से, नेटवर्क (परिपथ) के संचरण माध्यम हैं ?

- A. UTP
- B. पावर लाइन (शक्ति लाइन)
- C. सूक्ष्म तरंगे
- D. FM
- E. रेडियो

नीचे दिए गए विकल्पों में से सही उत्तर का चयन कीजिए :

- (1) केवल C, D
- (2) केवल D और E
- (3) केवल A, C, D और E
- (4) केवल A, B, C और E

Options :

- 43244959157. 1
- 43244959158. 2
- 43244959159. 3
- 43244959160. 4

Question Number : 66 Question Id : 43244915151 Question Type : MCQ Option Shuffling : No Display Question Number : Yes Is Question Mandatory : No Single Line Question Option : No Option Orientation : Vertical

Which of the following is/are an object oriented languages ?

- A. Fortran
- B. Pearl
- C. COBOL
- D. Python
- E. Visual Basic.Net

Choose the **correct** answer from the options given below :

- (1) D only
- (2) D and B only
- (3) D, B and E only
- (4) A, C only

Options :

- 43244959161. 1
- 43244959162. 2
- 43244959163. 3
- 43244959164. 4

Question Number : 66 Question Id : 43244915151 Question Type : MCQ Option Shuffling : No Display Question Number : Yes Is Question Mandatory : No Single Line Question Option : No Option Orientation : Vertical

निम्नलिखित में से कौन ऑब्जेक्ट ओरियेंट भाषा है ?

- A. फोरट्रान
- B. पर्ल
- C. कोबॉल
- D. पाइथॉन
- E. विज्वल बेसिक.नेट

नीचे दिए गए विकल्पों में से सही उत्तर का चयन कीजिए :

- (1) केवल D
- (2) केवल D और B
- (3) केवल D, B और E
- (4) केवल A, C

Options :

- 43244959161. 1
- 43244959162. 2
- 43244959163. 3
- 43244959164. 4

Question Number : 67 Question Id : 43244915152 Question Type : MCQ Option Shuffling : No Display Question Number : Yes Is Question Mandatory : No Single Line Question Option : No Option Orientation : Vertical

Which of the following comes under the supervised algorithms ?

- A. SVM
- B. Neural Network
- C. Deep learning
- D. K-medoid
- E. Prim's Algorithm

Choose the **correct** answer from the options given below :

- (1) A only
- (2) B and C only
- (3) A, B and C only
- (4) A, D and E only

Options :

- 43244959165. 1
- 43244959166. 2
- 43244959167. 3
- 43244959168. 4

Question Number : 67 Question Id : 43244915152 Question Type : MCQ Option Shuffling : No Display Question Number : Yes Is Question Mandatory : No Single Line Question Option : No Option Orientation : Vertical

निम्नलिखित में से कौन सुपर-वाइज़्ड एल्गोरिथम के अंतर्गत आते हैं ?

- A. SVM
- B. तांत्रिक नेटवर्क (परिपथ)
- C. डीप लर्निंग
- D. के-मीडोएड
- E. प्रिम्स एल्गोरिथम

नीचे दिए गए विकल्पों में से **सही** उत्तर का चयन कीजिए :

- (1) केवल A
- (2) केवल B और C
- (3) केवल A, B और C
- (4) केवल A, D और E

Options :

- 43244959165. 1
- 43244959166. 2
- 43244959167. 3
- 43244959168. 4

Question Number : 68 Question Id : 43244915153 Question Type : MCQ Option Shuffling : No Display Question Number : Yes Is Question Mandatory : No Single Line Question Option : No Option Orientation : Vertical

Match List - I with List - II Match the following ML/Soft computing concepts :

List - I	List - II
A. Membership function	I. Genetic Algorithm
B. K-means	II. Classification
C. Mutation	III. Clustering
D. SVM	IV. Fuzzy

Choose the correct answer from the options given below :

- (1) A-IV, B-III, C-II, D-I
- (2) A-IV, B-III, C-I, D-II
- (3) A-III, B-I, C-II, D-IV
- (4) A-II, B-IV, C-III, D-I

Options :

43244959169. 1
43244959170. 2
43244959171. 3
43244959172. 4

Question Number : 68 Question Id : 43244915153 Question Type : MCQ Option Shuffling : No Display Question Number : Yes Is Question Mandatory : No Single Line Question Option : No Option Orientation : Vertical

सूची-I से सूची-II का मिलान कीजिए निम्नलिखित ML/सॉफ्ट कम्प्यूटिंग अवधारणओं को सुमेलित करें।

सूची-I	सूची-II
A. सदस्यता (मेम्बरशिप) फलन	I. अनुवांशिक एल्गोरिथम
B. के-मींस	II. वर्गीकरण
C. म्यूटेशन	III. गुच्छन
D. SVM	IV. फजी (अस्पष्ट)

नीचे दिए गए विकल्पों में से सही उत्तर का चयन कीजिए :

- (1) A-IV, B-III, C-II, D-I
- (2) A-IV, B-III, C-I, D-II
- (3) A-III, B-I, C-II, D-IV
- (4) A-II, B-IV, C-III, D-I

Options :

43244959169. 1
43244959170. 2
43244959171. 3
43244959172. 4

Question Number : 69 Question Id : 43244915154 Question Type : MCQ Option Shuffling : No Display Question Number : Yes Is Question Mandatory : No Single Line Question Option : No Option Orientation : Vertical

Match List - I with List - II. For the computer system, Match the following :

List - I	List - II
A. Arbiter	I. Input-output
B. Manager	II. Operating system
C. Translator	III. Processor
D. Console	IV. Compiler

Choose the correct answer from the options given below :

- (1) A-III, B-II, C-I, D-IV
- (2) A-III, B-II, C-IV, D-I
- (3) A-IV, B-III, C-I, D-II
- (4) A-III, B-IV, C-II, D-I

Options :

43244959173. 1
43244959174. 2

43244959175. 3

43244959176. 4

Question Number : 69 Question Id : 43244915154 Question Type : MCQ Option Shuffling : No Display Question Number : Yes Is Question Mandatory : No Single Line Question Option : No Option Orientation : Vertical

सूची-I से सूची-II का मिलान कीजिए:

सूची-I	सूची-II
A. विवाधक (आरबिटर)	I. निवेश-निर्गम
B. प्रबंधक (मेनेजर)	II. प्रचालन प्रणाली
C. अनुवादक (ट्रांसलेटर)	III. प्रोसेसर
D. कंसोल	IV. कम्पाइलर

नीचे दिए गए विकल्पों में से सही उत्तर का चयन कीजिए :

- (1) A-III, B-II, C-I, D-IV
- (2) A-III, B-II, C-IV, D-I
- (3) A-IV, B-III, C-I, D-II
- (4) A-III, B-IV, C-II, D-I

Options :

43244959173. 1

43244959174. 2

43244959175. 3

43244959176. 4

Question Number : 70 Question Id : 43244915155 Question Type : MCQ Option Shuffling : No Display Question Number : Yes Is Question Mandatory : No Single Line Question Option : No Option Orientation : Vertical

Match List - I with List - II : Match the following network protocols.

List - I	List - II
A. TCP	I. Application layer
B. ARQ	II. Transport layer
C. FTP	III. Network layer
D. ICMP	IV. Data link layer

Choose the correct answer from the options given below :

- (1) A-II, B-IV, C-I, D-III
- (2) A-III, B-IV, C-II, D-I
- (3) A-I, B-II, C-III, D-IV
- (4) A-II, B-I, C-IV, D-III

Options :

43244959177. 1

43244959178. 2

43244959179. 3

43244959180. 4

Question Number : 70 Question Id : 43244915155 Question Type : MCQ Option Shuffling : No Display Question Number : Yes Is Question Mandatory : No Single Line Question Option : No Option Orientation : Vertical

सूची-I से सूची-II का मिलान कीजिए निम्नलिखित नेटवर्क (परिपथ) प्रोटोकॉल का मिलान करें।

सूची-I	सूची-II
A. TCP	I. अनुप्रयोग परत (लेयर)
B. ARQ	II. अभिगमन (ट्रांसपोर्ट) परत लेयर
C. FTP	III. परिपथ (नेटवर्क) परत लेयर
D. ICMP	IV. डाटा लिंक परत (लेयर)

नीचे दिए गए विकल्पों में से सही उत्तर का चयन कीजिए :

- (1) A-II, B-IV, C-I, D-III
- (2) A-III, B-IV, C-II, D-I
- (3) A-I, B-II, C-III, D-IV
- (4) A-II, B-I, C-IV, D-III

Options :

43244959177. 1
43244959178. 2
43244959179. 3
43244959180. 4

Question Number : 71 Question Id : 43244915156 Question Type : MCQ Option Shuffling : No Display Question Number : Yes Is Question Mandatory : No Single Line Question Option : No Option Orientation : Vertical

Match List - I with List - II : For the Communication/Computer System, match the following.

List - I	List - II
A. Modulation	I. Noise reducing
B. Equalization	II. Getting plain text
C. Hashing	III. Multiplying
D. Decryption	IV. Authentication

Choose the correct answer from the options given below :

- (1) A-III, B-II, C-I, D-IV
- (2) A-I, B-III, C-IV, D-II
- (3) A-II, B-I, C-III, D-IV
- (4) A-III, B-I, C-IV, D-II

Options :

43244959181. 1
43244959182. 2
43244959183. 3
43244959184. 4

Question Number : 71 Question Id : 43244915156 Question Type : MCQ Option Shuffling : No Display Question Number : Yes Is Question Mandatory : No Single Line Question Option : No Option Orientation : Vertical

सूची-I से सूची-II का मिलान कीजिए संचार/कंप्यूटर प्रणाली के लिए निम्नलिखित को सुमेलित करें।

सूची-I	सूची-II
A. मॉडुलेशन	I. शोर (ख) कम करना
B. इक्वैलाइजेशन	II. सरल (प्लेन) टेक्स्ट प्राप्त करना
C. हैशिंग	III. गुणनफल
D. डिक्लिप्शन	IV. प्रमाणीकरण

नीचे दिए गए विकल्पों में से सही उत्तर का चयन कीजिए :

- (1) A-III, B-II, C-I, D-IV
- (2) A-I, B-III, C-IV, D-II
- (3) A-II, B-I, C-III, D-IV
- (4) A-III, B-I, C-IV, D-II

Options :

- 43244959181. 1
- 43244959182. 2
- 43244959183. 3
- 43244959184. 4

Question Number : 72 Question Id : 43244915157 Question Type : MCQ Option Shuffling : No Display Question Number : Yes Is Question Mandatory : No Single Line Question Option : No Option Orientation : Vertical

For the data analytics, choose the correct sequence of the following :

- A. Accuracy
- B. Prediction
- C. Train and Test
- D. Model selection
- E. Dataset

Choose the **correct** answer from the options given below :

- (1) E, C, D, B, A
- (2) C, E, D, A, B
- (3) D, C, A, E, B
- (4) D, B, C, A, E

Options :

- 43244959185. 1
- 43244959186. 2
- 43244959187. 3
- 43244959188. 4

Question Number : 72 Question Id : 43244915157 Question Type : MCQ Option Shuffling : No Display Question Number : Yes Is Question Mandatory : No Single Line Question Option : No Option Orientation : Vertical

डाटा-विश्लेषका के लिए, निम्नलिखित को उचित क्रम में व्यवस्थित करें :

- A. परिशुद्धता (एकुरेसी)
- B. प्रागुक्ति (प्रडिक्शन)
- C. पशिक्षण और परीक्षण (ट्रेन और टेस्ट)
- D. मॉडल चयन
- E. डाटा समुच्यय (सेट)

नीचे दिए गए विकल्पों में से सही उत्तर का चयन कीजिए :

- (1) E, C, D, B, A
- (2) C, E, D, A, B
- (3) D, C, A, E, B
- (4) D, B, C, A, E

Options :

- 43244959185. 1
- 43244959186. 2
- 43244959187. 3
- 43244959188. 4

Question Number : 73 Question Id : 43244915158 Question Type : MCQ Option Shuffling : No Display Question Number : Yes Is Question Mandatory : No Single Line Question Option : No Option Orientation : Vertical

For a database related work

- A. Defining structure
- B. Entering the data
- C. Retrieval
- D. Problem
- E. Structured Query language

Choose the **correct** answer from the options given below :

- (1) E, D, C, B, A
- (2) D, A, B, E, C
- (3) A, B, C, E, D
- (4) D, E, A, B, C

Options :

- 43244959189. 1
- 43244959190. 2
- 43244959191. 3
- 43244959192. 4

Question Number : 73 Question Id : 43244915158 Question Type : MCQ Option Shuffling : No Display Question Number : Yes Is Question Mandatory : No Single Line Question Option : No Option Orientation : Vertical

एक डाटाबेस संबधित कार्य के लिए।

- A. संरचना को परिभाषित करना
- B. डाटा को एन्टर करना
- C. पुनः प्राप्ति करना (रिटरीवल)
- D. समस्य (प्रोब्लम)
- E. संरचनाबद्ध पृच्छा भाषा

नीचे दिए गए विकल्पों में से **सही** उत्तर का चयन कीजिए :

- (1) E, D, C, B, A
- (2) D, A, B, E, C
- (3) A, B, C, E, D
- (4) D, E, A, B, C

Options :

- 43244959189. 1
- 43244959190. 2
- 43244959191. 3
- 43244959192. 4

Question Number : 74 Question Id : 43244915159 Question Type : MCQ Option Shuffling : No Display Question Number : Yes Is Question Mandatory : No Single Line Question Option : No Option Orientation : Vertical

For the computer system :

- A. Operating system
- B. Users
- C. Hardware
- D. Application software

Choose the **correct** answer from the options given below :

- (1) A, B, C, D
- (2) C, A, D, B
- (3) C, B, A, D
- (4) A, C, D, B

Options :

- 43244959193. 1
- 43244959194. 2
- 43244959195. 3
- 43244959196. 4

Question Number : 74 Question Id : 43244915159 Question Type : MCQ Option Shuffling : No Display Question Number : Yes Is Question Mandatory : No Single Line Question Option : No Option Orientation : Vertical

कंप्यूटर प्रणाली (सिस्टम) के लिए :

- A. प्रचालन प्रणाली
- B. प्रयोगकर्ता
- C. हार्डवेयर
- D. अनुप्रयोग सॉफ्टवेयर

नीचे दिए गए विकल्पों में से सही उत्तर का चयन कीजिए :

- (1) A, B, C, D
- (2) C, A, D, B
- (3) C, B, A, D
- (4) A, C, D, B

Options :

- 43244959193. 1
- 43244959194. 2
- 43244959195. 3
- 43244959196. 4

Question Number : 75 Question Id : 43244915160 Question Type : MCQ Option Shuffling : No Display Question Number : Yes Is Question Mandatory : No Single Line Question Option : No Option Orientation : Vertical

For the computation, choose the sequence of following tasks.

- A. Regular Expression
- B. NFA
- C. Tokens
- D. Problem
- E. DFA

Choose the correct answer from the options given below :

- (1) A, D, B, C, E
- (2) D, A, B, E, C
- (3) E, B, D, A, C
- (4) B, E, D, C, A

Options :

- 43244959197. 1
- 43244959198. 2
- 43244959199. 3
- 43244959200. 4

Question Number : 75 Question Id : 43244915160 Question Type : MCQ Option Shuffling : No Display Question Number : Yes Is Question Mandatory : No Single Line Question Option : No Option Orientation : Vertical

अभिकलन (कम्प्यूटेशन) के लिए, निम्नलिखित कार्यों का क्रम चुनिए :

- A. नियमित अभिव्यक्ति (इक्सप्रेशन)
- B. NFA
- C. टोकंस
- D. समस्या (प्रोब्लम)
- E. डीएफए

नीचे दिए गए विकल्पों में से सही उत्तर का चयन कीजिए :

- (1) A, D, B, C, E
- (2) D, A, B, E, C
- (3) E, B, D, A, C
- (4) B, E, D, C, A

Options :

43244959197. 1
43244959198. 2
43244959199. 3
43244959200. 4