

<div style="border: 1px solid black; width: 100%; height: 20px; margin-bottom: 10px;"></div> <p style="text-align: center;">Time: 3 hours Maximum Marks: 300</p> <p style="text-align: center;">READ THE INSTRUCTIONS CAREFULLY</p> <p>GENERAL</p> <ul style="list-style-type: none"> This sealed booklet is your Question Paper. Do not break the seal till you are told to do so. Immediately after breaking the seal of the booklet, verify that the booklet contains 28 pages and that all the 16 questions along with the options are legible. Report immediately about any missing or torn sheet in this booklet and ask for a replacement of the booklet from the invigilator. No replacement will be allowed after 15 minutes of the starting of the examination. Write your Name, Roll Number, JEE (Advanced) 2025 Rank and other details in the space provided and nowhere else. No distinctive / identification mark of any type is to be put anywhere else in this booklet. Answers are to be written only in the booklet and within the space provided beside / box provided beside/below each Question and nowhere else. Answers written in non-designated place will not be evaluated. Blank spaces are provided within this booklet for rough work. Do not deface this booklet or detach or mutilate any sheet from the booklet. Such acts lead to disqualification. The question paper has five sections. All the questions are compulsory. <p>Total Marks Obtained:</p> <p>In Numbers: <input style="width: 80px; height: 20px; margin-left: 10px;" type="text"/></p> <p>In words: _____</p> <p>_____</p> <p>Signature of the Examiner with date</p> <p>_____</p> <p>Signature of the Scrutinizer with date</p>	<div style="border: 1px solid black; width: 100%; height: 20px; margin-bottom: 10px;"></div> <p>NAME: _____</p> <hr style="border: 1px solid black;"/> <p>ROLL NO: _____</p> <p>JEE (ADVANCED) 2025 RANK: _____</p> <p>CATEGORY: _____</p> <p>CATEGORY RANK (IF APPLICABLE):</p> <p>_____</p> <p>EXAMINATION CENTRE:</p> <p>_____</p> <p>I HAVE READ ALL THE INSTRUCTIONS AND SHALL ABIDE BY THEM</p> <hr style="border: 1px solid black;"/> <p>Signature of the Candidate</p> <p>_____</p> <p>Signature of the Invigilator after verification of identity and other details</p>
---	---

This Page is kept blank intentionally

DO NOT WRITE ON THIS PAGE

prepp
Your Personal Exam Guide

SECTION A: Architectural Awareness (Maximum Marks: 60)

This section contains **FOUR** questions. Question 1 carries **30 marks**, Questions 2, 3 and 4 carry **10 marks** each. There is **NO** negative marking.

Q.1. This section contains **15 multiple choice questions**. Each question has four options, out of which **ONLY ONE** is correct. Mark the correct option with a tick mark.

(2 × 15 = 30
Marks)

(i) | The standard unit for measuring Household electrical energy consumption is

A Kilo Watt Hour

B Ampere

C Watt

D Volt

(ii) Among the options given below, the recent addition to the UNESCO Heritage list in 2024 from India is

A Khajuraho Temple, Madhya Pradesh

B Golconda Fort, Telangana

C Bharat Mandapam, New Delhi

D Moidam, Assam

(iii) 'Letters to a Young Architect' is a book authored by

A B V Doshi

B Christopher Charles Benninger

C Frank Lloyd Wright

D Le Corbusier

(iv) A semicircular brick arch is an example of

A Tensile Structure

B Torsional Structure

C Compressive Structure

D Shear Structure

(v) 'Gelephu Mindfulness City' in Bhutan has been designed by

A Bjarke Ingels

B I M Pei

C Norman Foster

D Tadao Ando

(vi) Influence of which of the following foreign architectural styles is **NOT** evident in traditional Architectural styles of India?

A Persian

B Egyptian

C Greek

D Roman

(vii) The scientific principle which explains the cooling of hot air while passing through a stone *Jali* in a building is

A Venturi Effect

B Bernoulli's Theorem

C Archimedes' Principle

D Raman Effect

(viii) 'Karla', a well-known Buddhist site is an example of

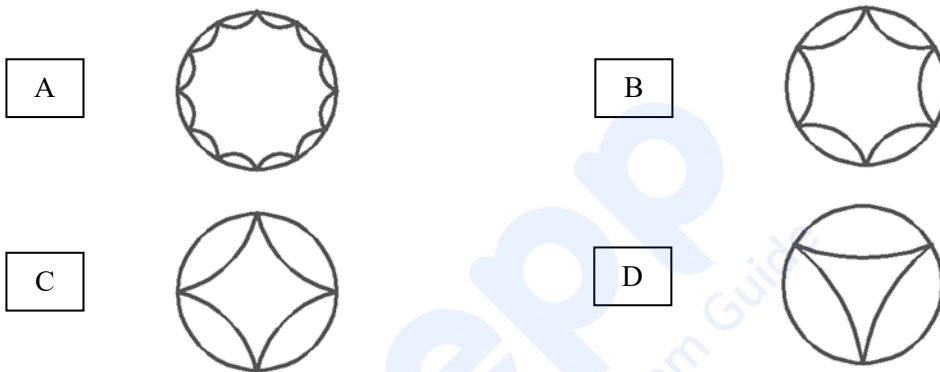
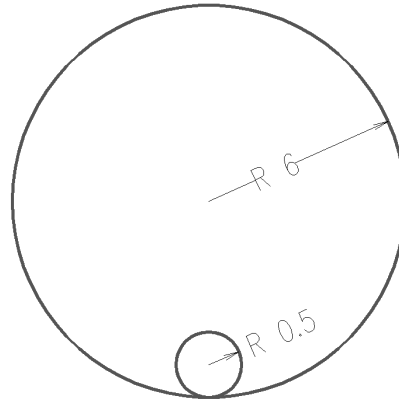
A Stupa

B Fort

C Cenotaph

D Caves

- (ix) A small circle of Radius=0.5 unit rolls on the inner surface of another large circle of Radius=6 unit without slipping as shown in figure given below. Locus of a point on circumference of small circle will result in a hypocycloid. The correct representation of the resultant hypocycloid is



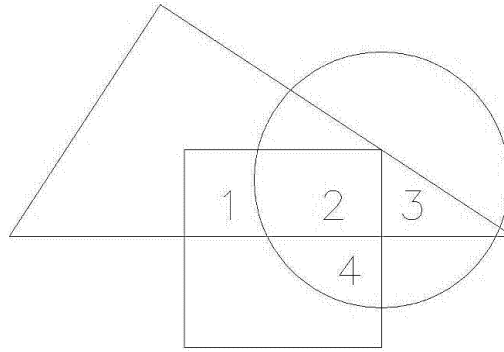
- (x) 'Antoni Gaudi', the famous Spanish architect designed which of the following buildings



- (xi) Which of the following craft techniques is **NOT** performed on/with paper?



- (xii) A composition of three colored glass pieces is shown below. It has a Magenta Triangle, Cyan Square and a Yellow Circle. The correct resultant colors at the overlap zones 1, 2, 3 and 4 are



- A 1 - Green, 2 - Black, 3 - Red, 4 - Blue
 B 1 - Yellow, 2 - Red, 3 - Black, 4 - Green
 C 1 - Blue, 2 - Brown, 3 - Green, 4 - Pink
 D 1 - Blue, 2 - Green, 3 - Red, 4 - Black
- (xiii) In a typical Timber casement window, the glass is held to the wooden shutter frame by
- A Skirting B Cornice
 C Beading D Welding
- (xiv) 'ECBC' in reference to Buildings stands for

- A Executive Committee for Building Codes
 B Energy Conservation Building Code
 C Environmental Code for Building Conservation
 D Expenditure Committee for Building Construction

(xv) Who amongst the following is known as the 'Architect of the poor'?

A Hassan Fathy

B Mies van der Rohe

C Zaha Hadid

D Walter Gropius

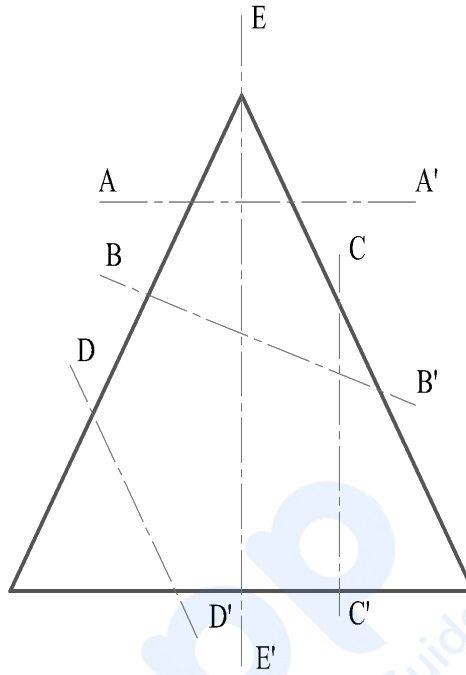
Q.2	Match the Construction tools given in Column I to their corresponding Functions on a construction site given in Column II.	
	(2 × 5 = 10 Marks)	
	Column I	Column II
	(A) Shovel <input type="checkbox"/>	(P) Slope Management
	(B) Concrete Mixer <input type="checkbox"/>	(Q) Wall Alignment
	(C) Plum Bob <input type="checkbox"/>	(R) Scooping sand/aggregate
	(D) Spirit Level <input type="checkbox"/>	(S) Mixing cement, sand and aggregate
	(E) Needle Vibrator <input type="checkbox"/>	(T) Pointing of Wall
	(U) Compaction of Concrete	

Q.3	Match the Mahajanpada given in Column I with the well-known cities of present times given in Column II, which fell within the geographic boundary of given Mahajanpada.	
	(2 × 5 = 10 Marks)	
	Column I	Column II
	(A) Magadha <input type="checkbox"/>	(P) Varanasi
	(B) Kashi <input type="checkbox"/>	(Q) Ayodhya
	(C) Kosala <input type="checkbox"/>	(R) Ujjain
	(D) Avanti <input type="checkbox"/>	(S) Taxila
(E) Kuru <input type="checkbox"/>	(T) Delhi	
	(U) Patna	

Q.4

A right circular cone is cut by different planes as shown through its elevation given below. Match the section plane in Column I to the corresponding true shape of resultant section in Column II.

(2 × 5 = 10 Marks)

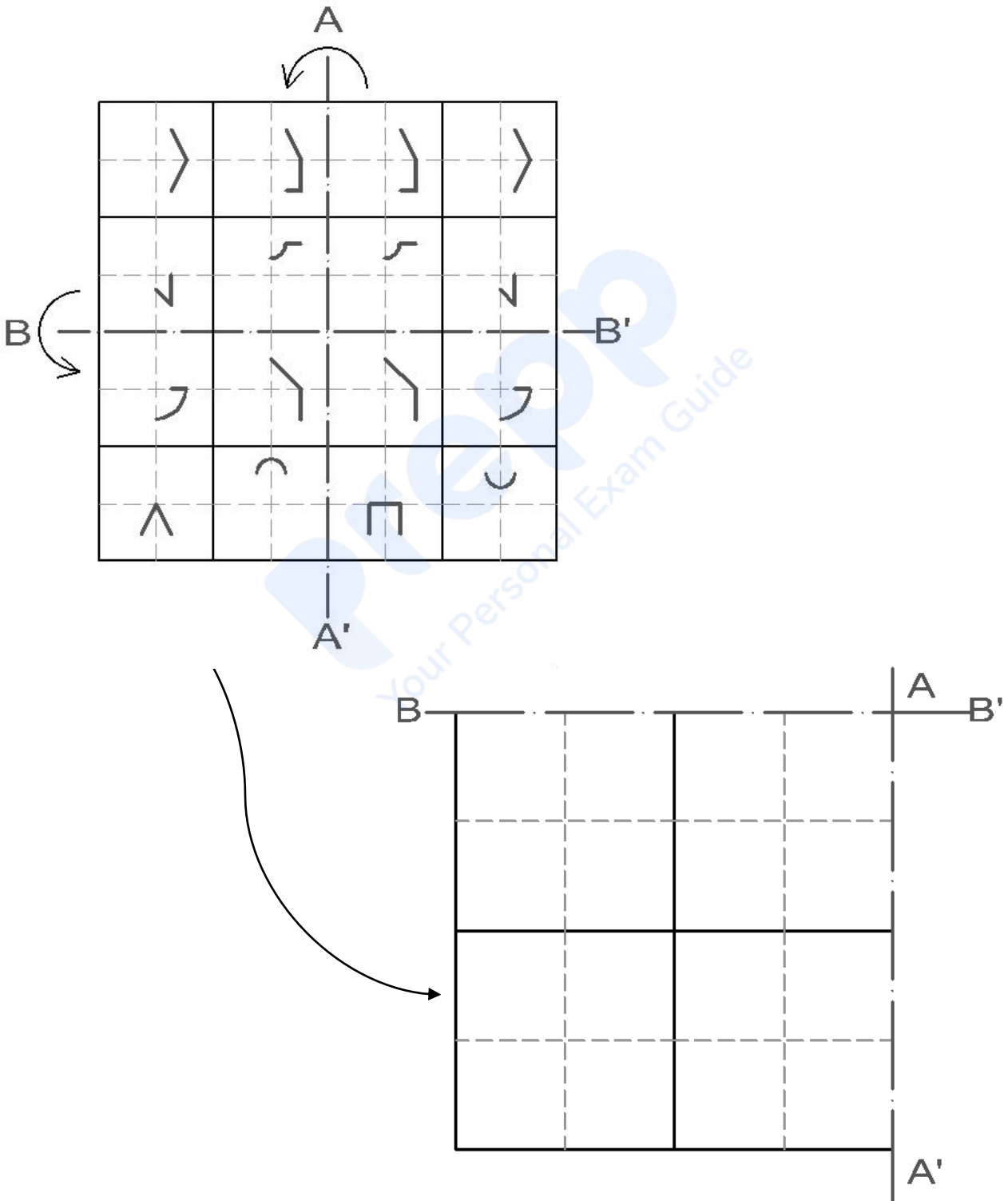


Column I		Column II	
(A) Plane AA'	<input type="checkbox"/>	(P) Hyperbola	
(B) Plane BB'	<input type="checkbox"/>	(Q) Triangle	
(C) Plane CC'	<input type="checkbox"/>	(R) Circle	
(D) Plane DD'	<input type="checkbox"/>	(S) Ellipse	
(E) Plane EE'	<input type="checkbox"/>	(T) Parabola	
		(U) Line	

SECTION B: Geometrical Drawing (Maximum Marks: 60)

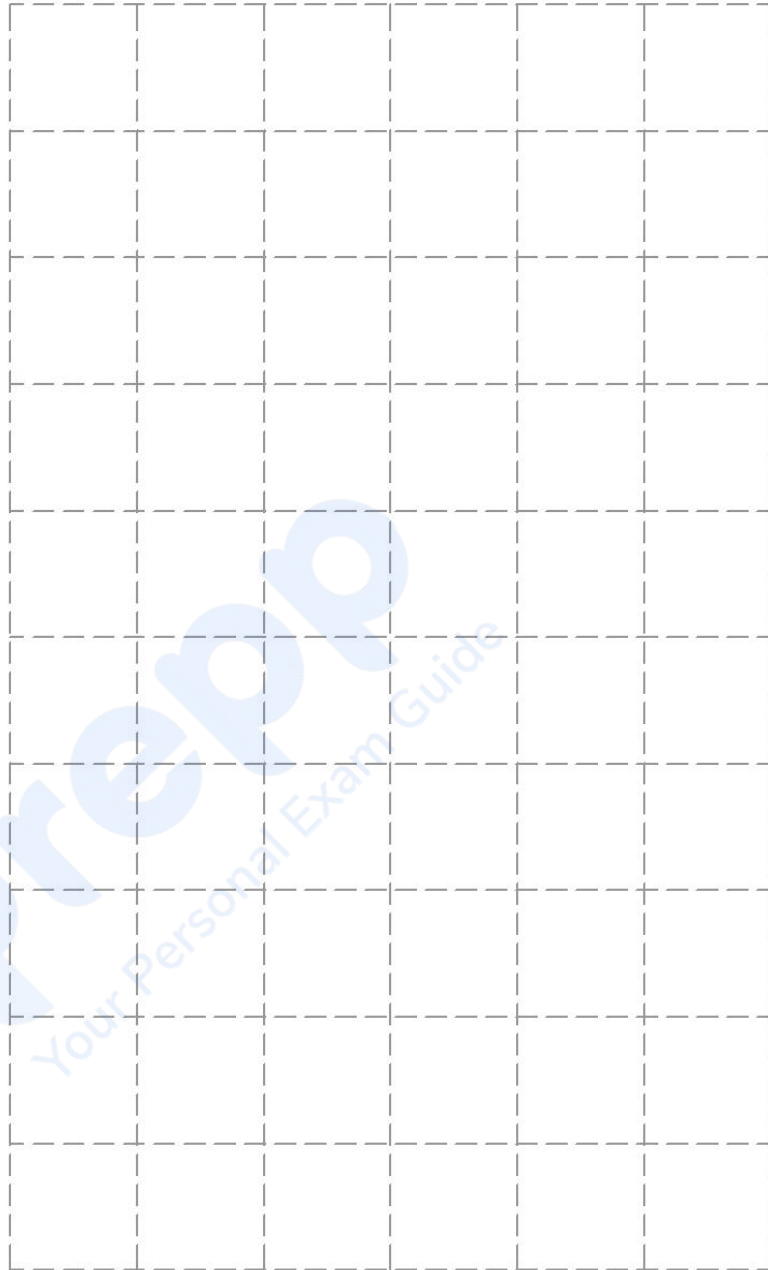
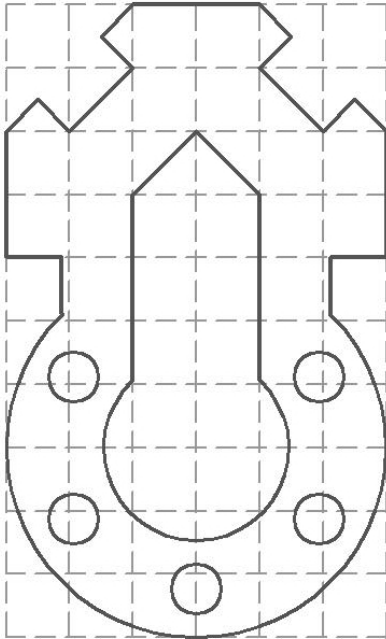
This section contains **THREE (03)** questions. Each question carries **20** marks.

- Q.5 Sixteen patterns are placed in a 4X4 square grid on a translucent sheet of paper. The paper is first folded about the axis A-A' and thereafter about axis B-B' in the direction as indicated. After two successive folds, the paper will be reduced to a 2X2 square grid and the patterns will be superimposed accordingly. In the given enlarged 2X2 square grid, draw the final superimposed patterns.

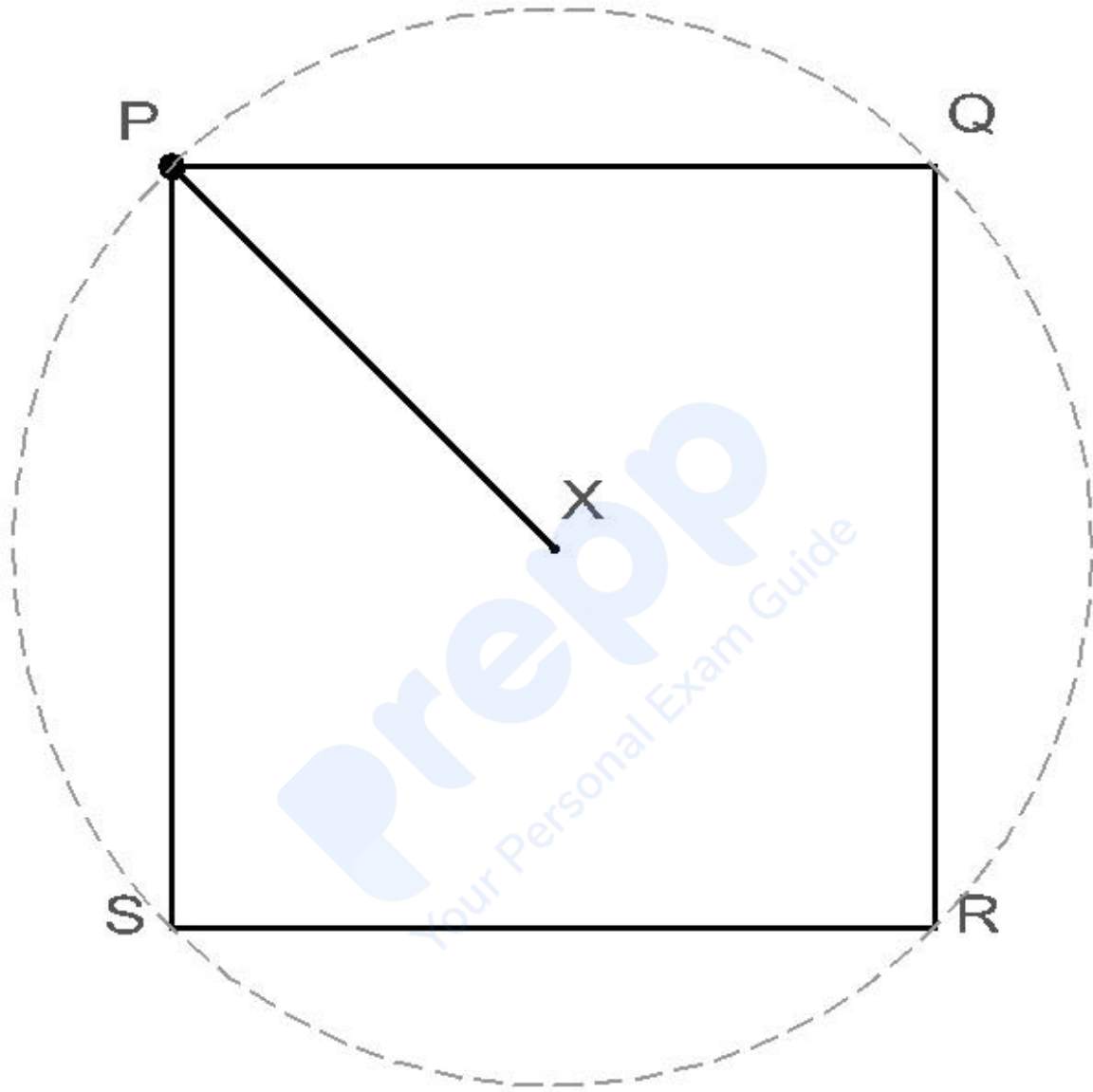


Enlarged 2X2 Square Grid

Q.6 Enlarge the composition given below in the specified grid space.



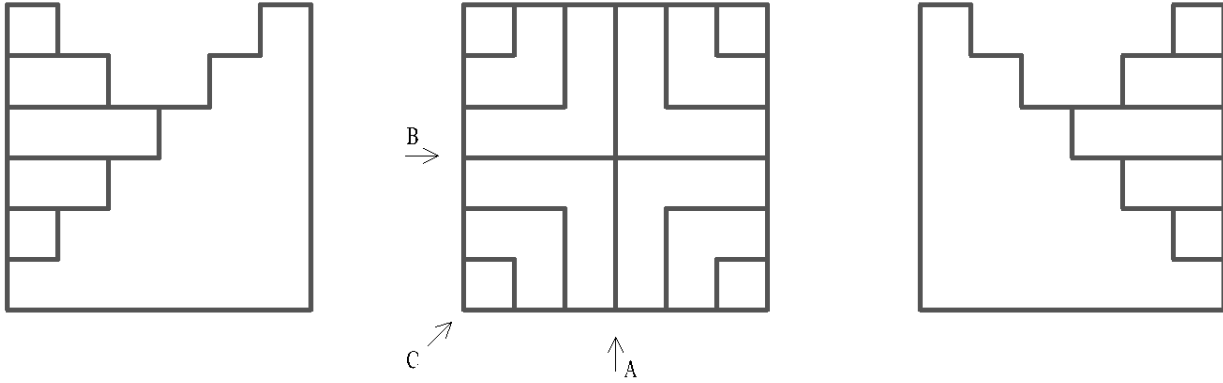
Q.7 A square PQRS completes a 360-degree rotation about its centre 'X' in 8 seconds. A point on its diagonal PXR, with starting position at 'P' as shown in figure given below, oscillates continuously between 'P' and 'X'. It completes one oscillation in 4 seconds. Draw the path traced by the given point for one complete rotation of the square PQRS.



SECTION C: Three-Dimensional Perception (Maximum Marks: 60)

This section contains **THREE (03)** questions. Each question carries **20** marks.

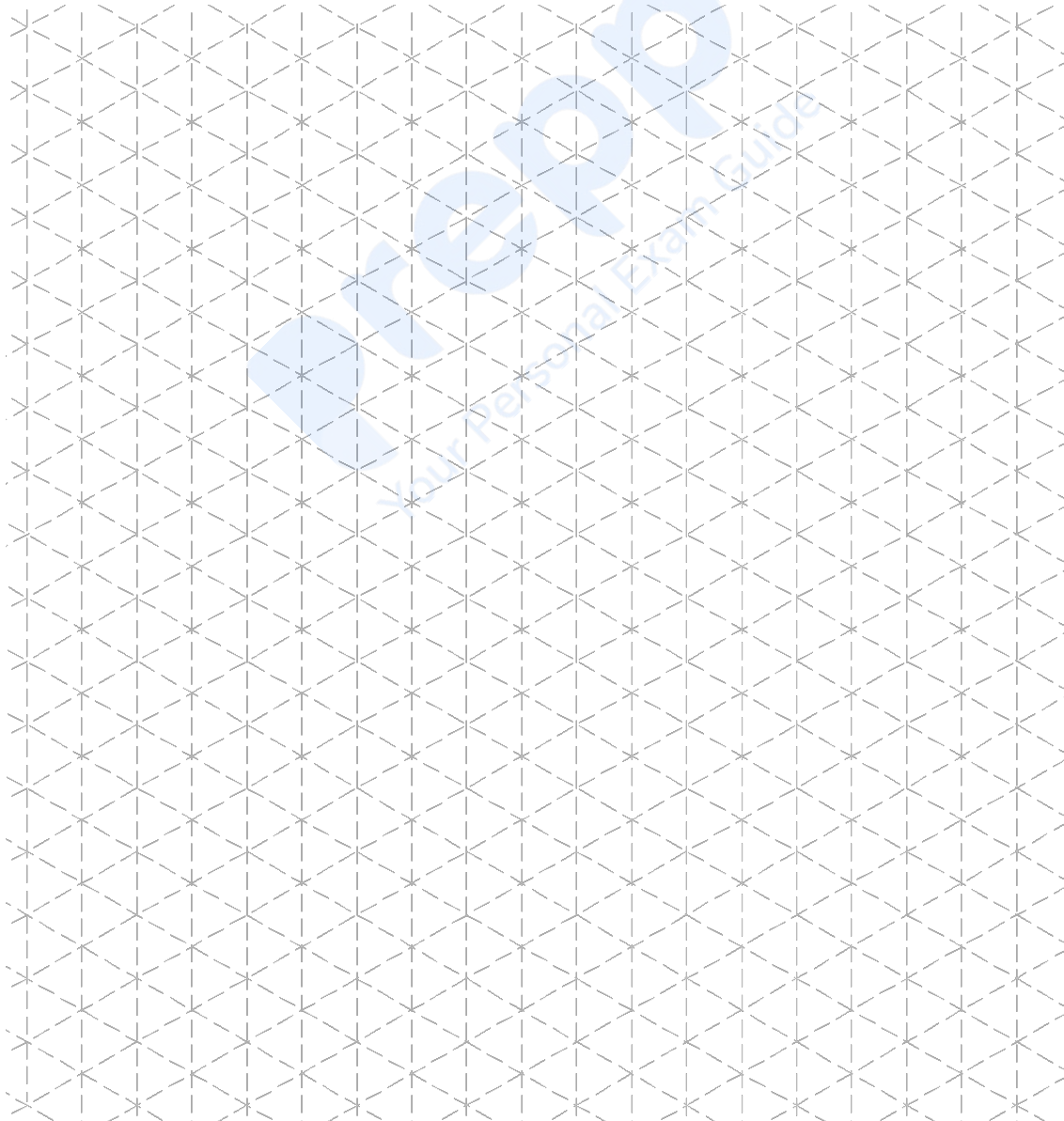
Q.8 Given below is the Plan (Top View), Front elevation from point A and Side elevation from point B of an object. Draw the Isometric view of the object as seen from point 'C'.



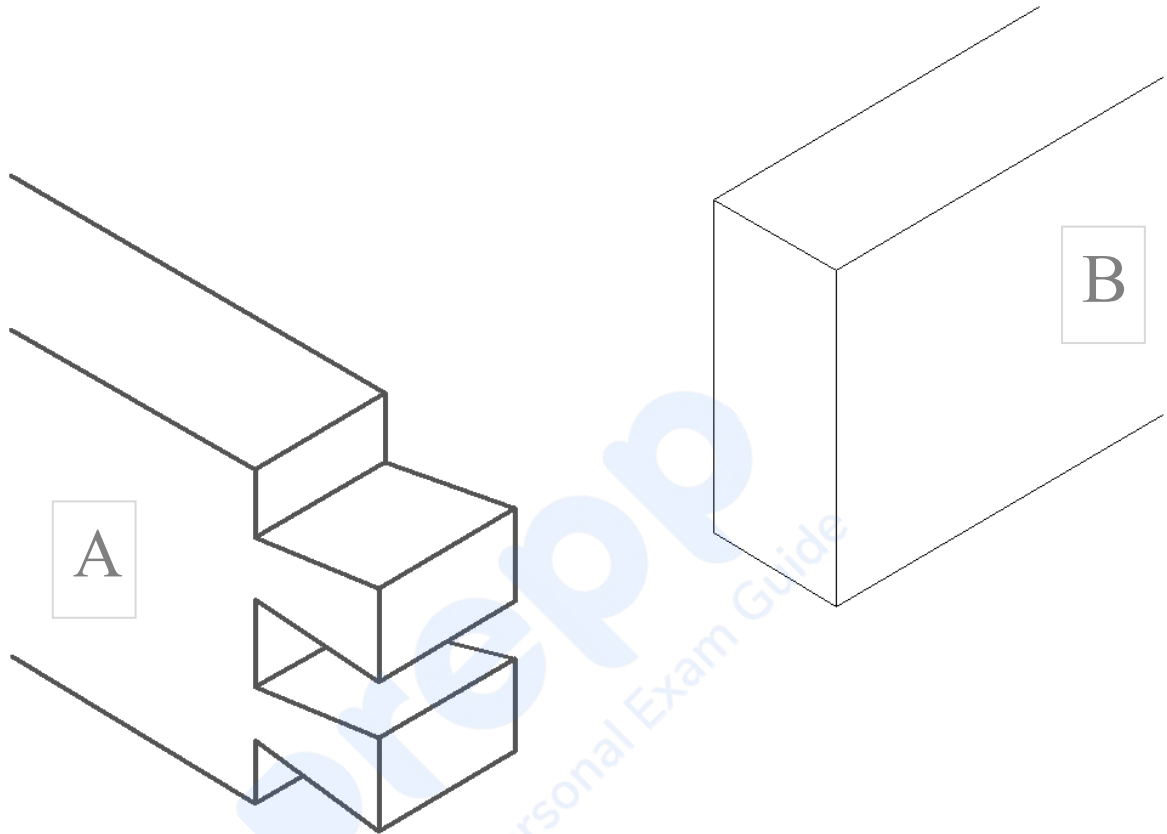
Front Elevation (A)

Plan

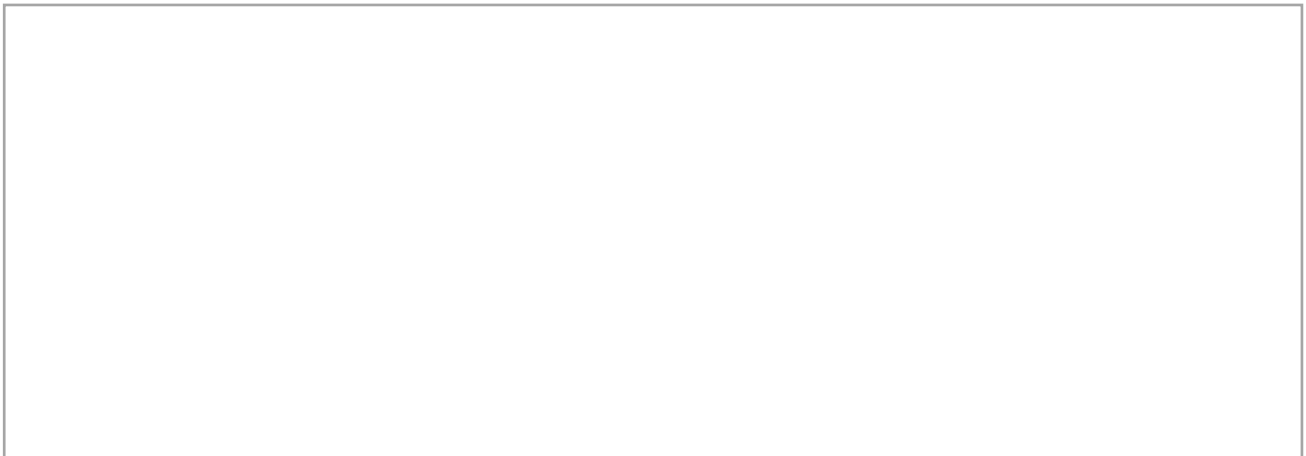
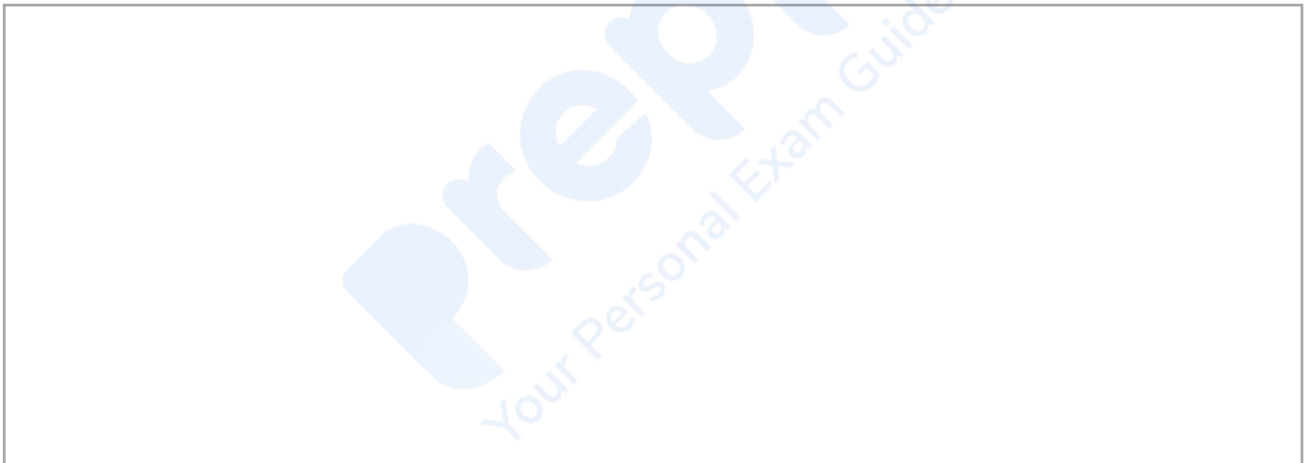
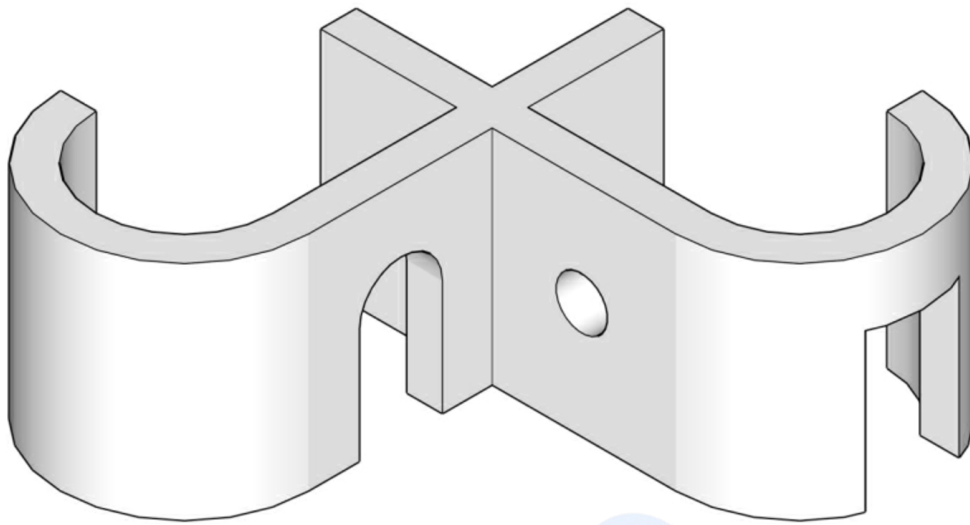
Side Elevation (B)



Q.9 One member of an orthogonal wooden joinery is shown at 'A' below. Draw the complementary part at 'B' in order to complete the orthogonal joint.



Q.10 For the 3-dimensional figure given below, draw the top view and the front elevation as seen from the direction of point A in the space given below.



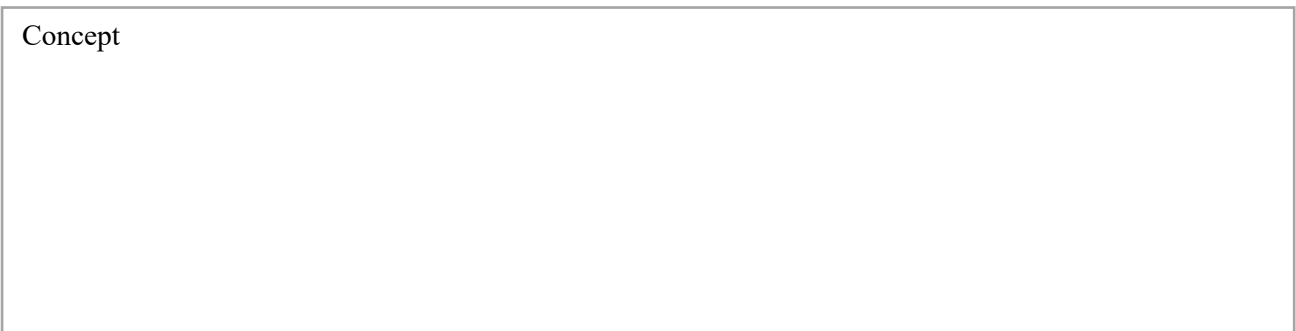
SECTION D: Imagination and Aesthetic Sensitivity (Maximum Marks: 60)

This section contains **THREE (03)** questions. Each question carries **20** marks.

- Q.11 Design a Three-dimensional sculpture imagining India hosting 2036 Olympics. The sculpture is intended to be installed at sporting venues for hosting various Olympics events. The design should represent India's futuristic development, sporting ethos, cultural diversity, and unity. Explain your design concept briefly in the specified box given below.



Concept



Q.12 Using colours and illustrations in the space given below, design a graphic poster on the theme 'Well-being'. Explain your concept briefly in the specified box given below.



Concept

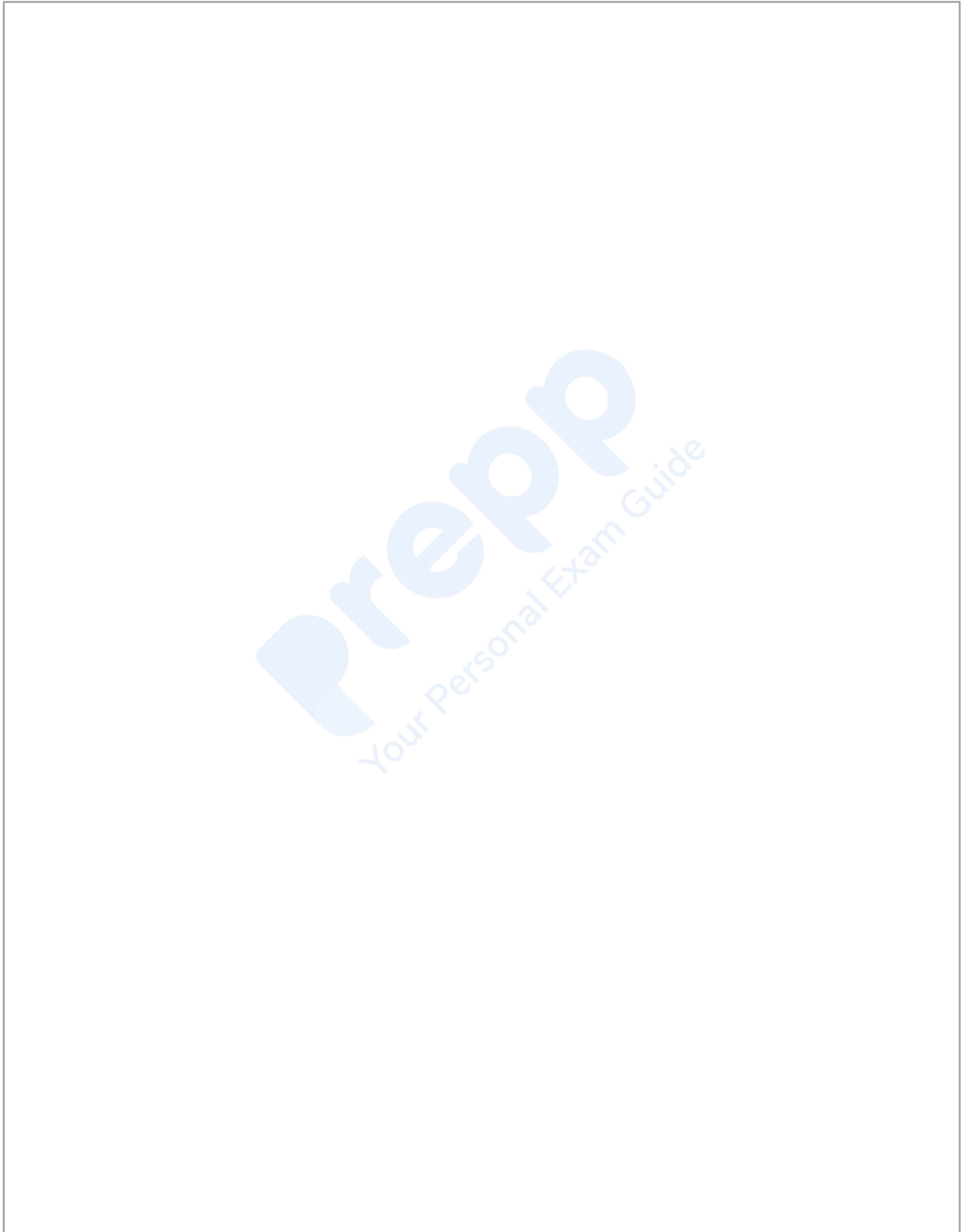
Q.13 In the perspective view given below, imagine and draw at least five proportionate human figures occupying the plaza steps in various postures like sitting, standing, talking etc.



SECTION E: Freehand Drawing (Maximum Marks: 60)

This section contains **THREE (03)** questions. Each question carries **20** marks.

- Q.14 Draw a scene of a railway platform showing a standing train along with other platform activities like boarding, alighting, vending, moving etc. and elements like seating, roof structure, signage etc.

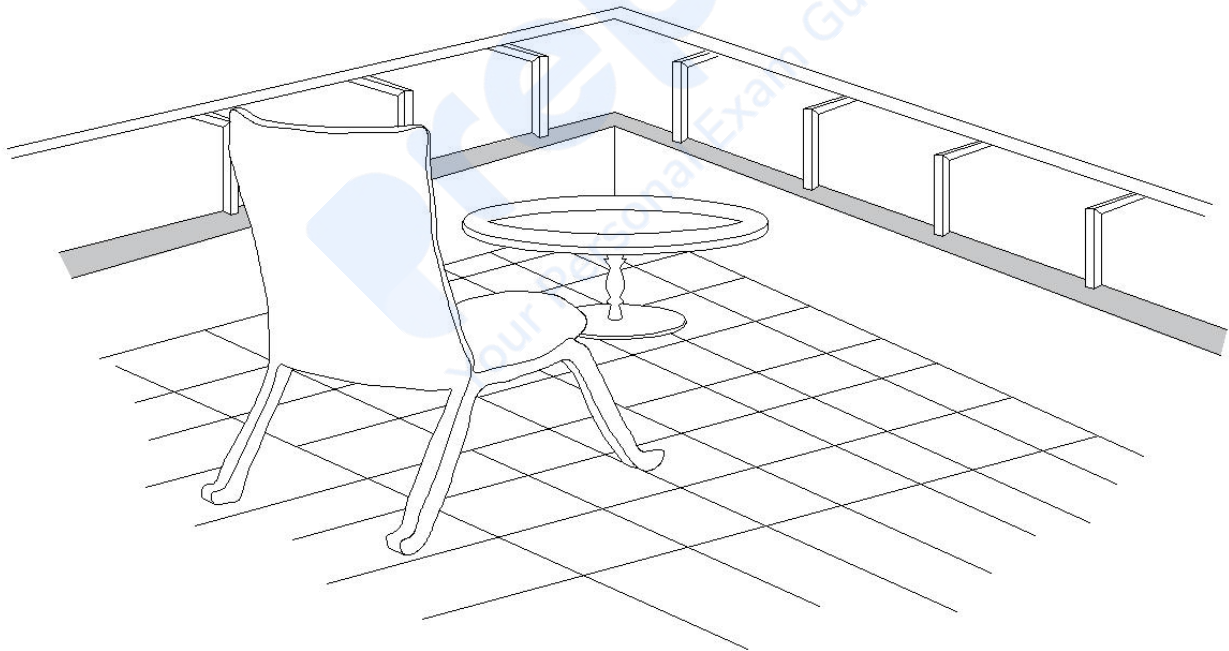
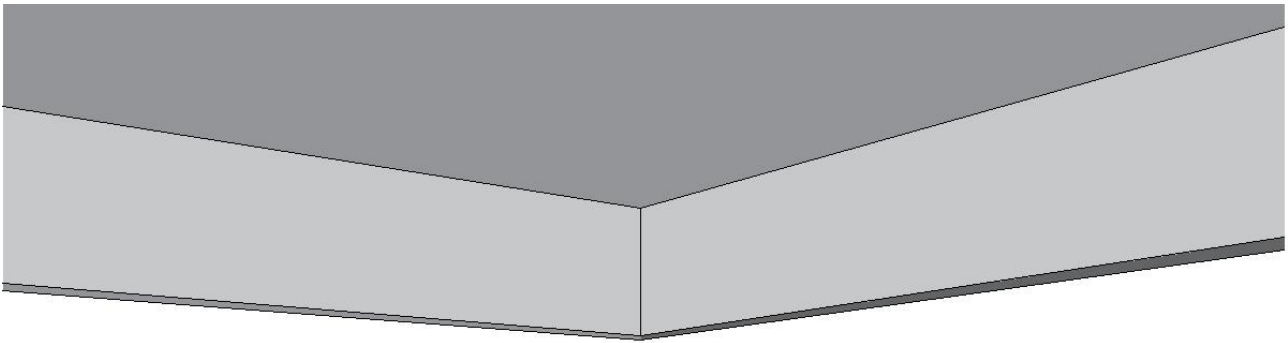


Prepp
Your Personal Exam Guide

Q.15 Sketch a 'composition' showing a computer placed on a table along with a chair in proportion to each other.



Q.16 Sketch the landscape view as seen from the balcony space of an apartment as shown below, facing green meadows with dense vegetation.



END OF THE QUESTION PAPER

ROUGH WORK

prepp
Your Personal Exam Guide

ROUGH WORK

prepp
Your Personal Exam Guide

ROUGH WORK

prepp
Your Personal Exam Guide

ROUGH WORK

prepp
Your Personal Exam Guide

ROUGH WORK

prepp
Your Personal Exam Guide

ROUGH WORK

prepp
Your Personal Exam Guide

ROUGH WORK

prepp
Your Personal Exam Guide

DO NOT WRITE ON THIS PAGE**Section-wise Distribution of Marks**

Sections	Question No.	Page No.	Maximum Marks	Marks Obtained
Section A (Architectural Awareness)	Q.1	3-7	30	
	Q.2	7	10	
	Q.3	7	10	
	Q.4	8	10	
Section B (Geometrical Drawing)	Q.5	9	20	
	Q.6	10	20	
	Q.7	11	20	
Section C (Three-Dimensional Perception)	Q.8	12	20	
	Q.9	13	20	
	Q.10	14	20	
Section D (Imagination and Aesthetic Sensitivity)	Q.11	15	20	
	Q.12	16	20	
	Q.13	17	20	
Section E (Freehand Drawing)	Q.14	18	20	
	Q.15	19	20	
	Q.16	20	20	
TOTAL MARKS			300	